

QUICKSTART- / ASSEMBLY INSTRUCTIONS -  
READ BEFORE YOUR FIRST RIDE!

EN

DÉMARRAGE RAPIDE / NOTICE D'ASSEMBLAGE -  
A LIRE AVANT TOUTE SORTIE!

FR

INICIO RÁPIDO / INSTRUCCIONES DE MONTAJE -  
LEER ANTES DE LA PRIMERA SALIDA!

ES

***PROPAIN***

## // EC-DECLARATION OF CONFORMITY ACCORDING TO EU-MACHINERY DIRECTIVE 2006/42/EG

**Propain Bicycles GmbH**

**Schachenstraße 39**

**88267 Vogt**

**Germany**

**Managing directors Robert Krauss / David Assfalg**

**Phone: +49 751 201802-22**

**Email: info@propain-bikes.com**

**Product description:** Propain Ekano 165 & 150 - EPAC-Mountainbike

**Frame Number:** Size-Year-Month-Model-001->999 \*

**Article number:** 000871-AD

**Year of Construction:** 2019

**Model year:** 2020

**Product name /-number of battery:** Shimano Steps 8035 / KBTE8035A

**Product name /-number of engine:** Shimano EP8 / DU-EP800

**Product name /-number of battery charger:** Shimano / K-ECE60001X

\*

**Size:** SM, MD, LG, XL

**Year:** 19, 20, 21 etc.

**Month:** 01, 02, 03 etc.

**Model:** E = Ekano

001 -> 999 consecutive Numbers

**The above-mentioned products comply with the requirements of the following European directives:**

2006/42/EG Machinery directive

2014/30/EU Electromagnetic compatibility

2014/35/EU Low voltage directive

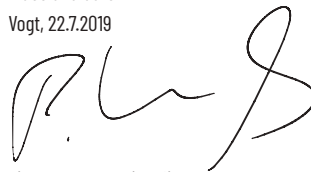
DIN EN ISO 12100:2010 Risk assessment

EN ISO 4210:2014 und :2015

EN 15194:2017

Place and date

Vogt, 22.7.2019

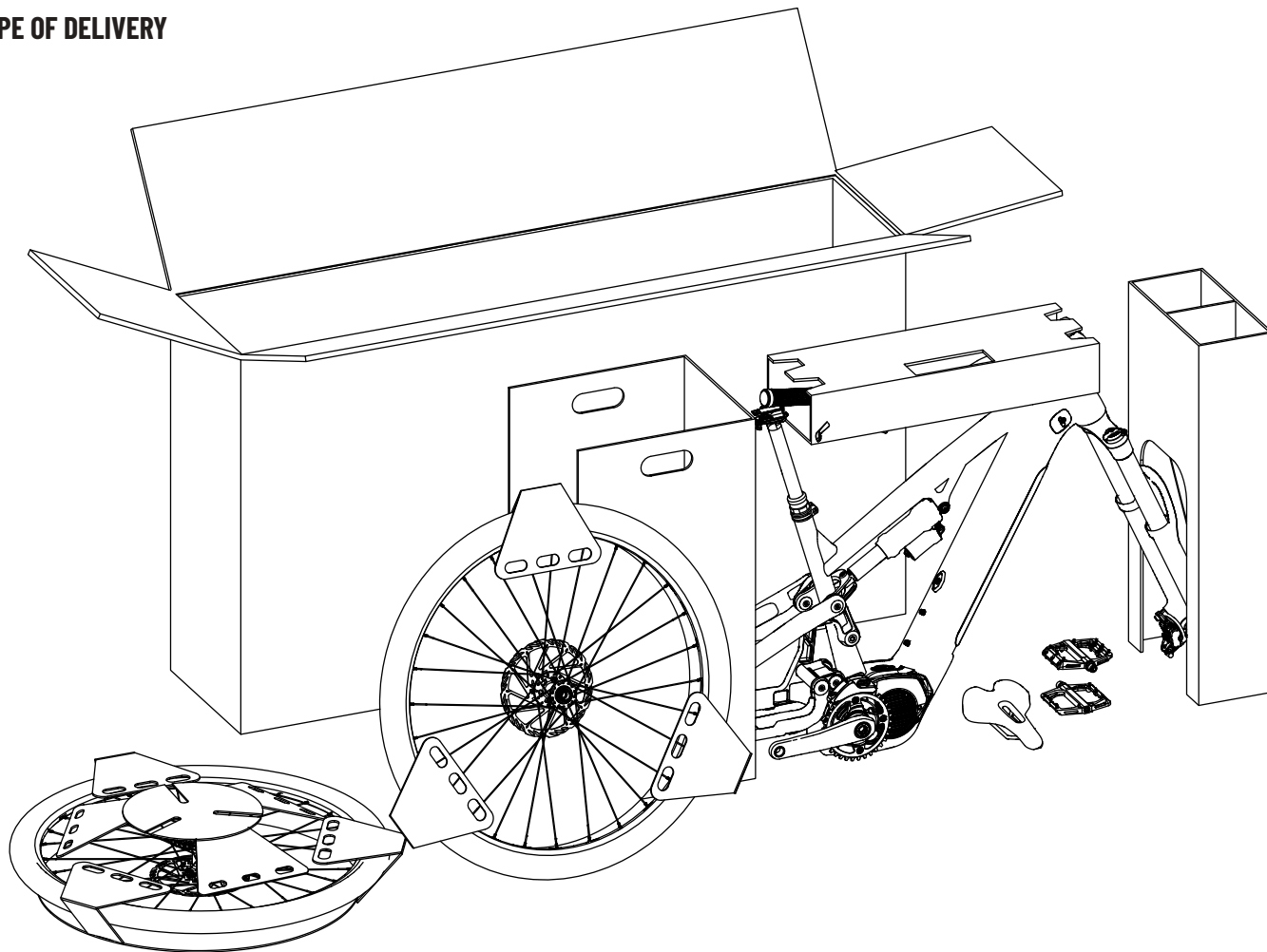


Signature managing director  
Dipl. Ing. Robert Krauss



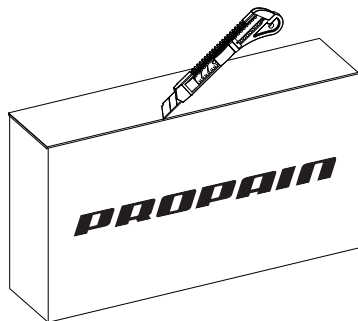
Signature CE-Documentation representative  
BEng Florian Gärtner

// SCOPE OF DELIVERY



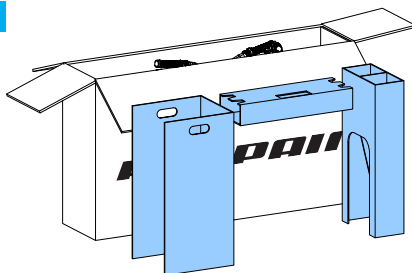
## // UNPACKING

1



Carefully open the top of the bike box ensuring no damage is caused to internal parts whilst opening the box.

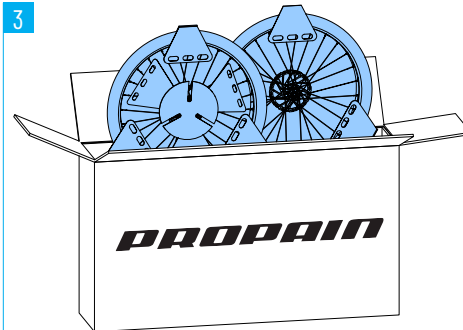
2



Remove the fixation of the handlebar, the fixation of the rear triangle and the fixation of the fork.

→ Carefully remove the handlebar from its fixation, to prevent possible damage to the paint.

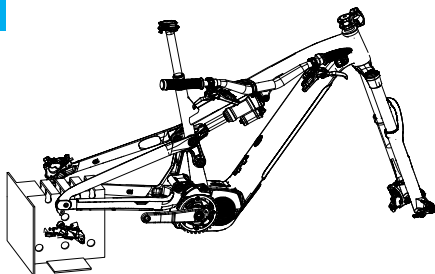
3



Carefully remove both wheels.

→ Be careful to avoid damages.

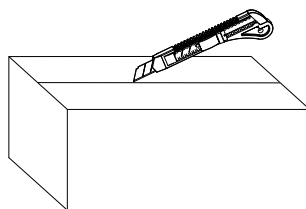
4



Carefully remove the bike.

→ Watch the handlebars, suspension fork and rear derailleur. Fix the bike to a work stand for further assembly or place it on the ground in the rear end fixation.

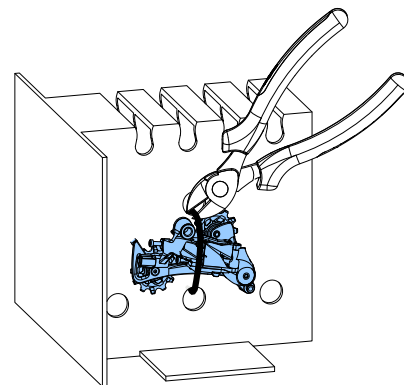
5



Remove the box for the small parts and open it.

→ This box contains pedals, saddle, torque wrench, small parts as well as clothing/merchandise purchased with the bike.  
→ For instructions on using the torque wrench, see next page.

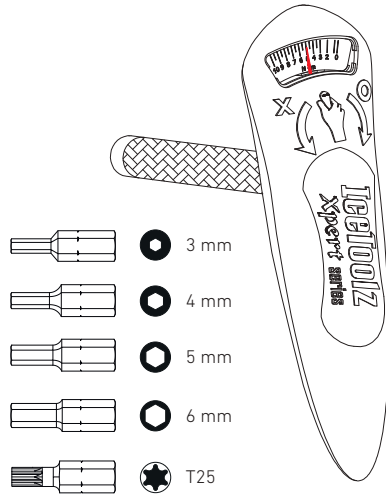
6



Detach the rear derailleur from the rear end fixation.

## // USING THE TORQUE WRENCH

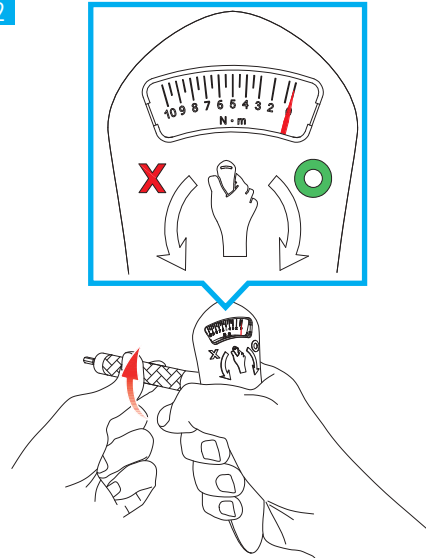
1



Five different bits are stored in the handle of the torque wrench:

- 3 mm hexagon socket bit
- 4 mm hexagon socket bit
- 5 mm hexagon socket bit
- 6 mm hexagon socket bit
- T25 socket bit

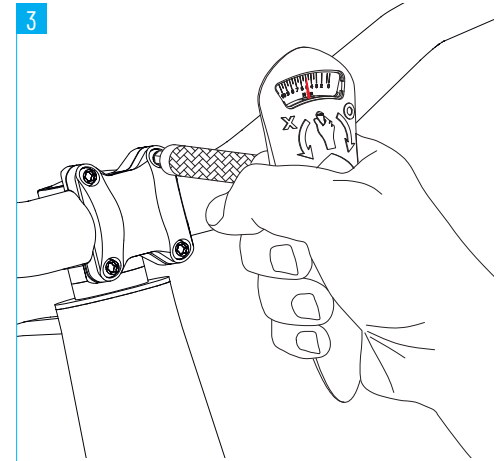
2



Set zero position:

Before each use of the torque wrench it must be checked whether the pointer of the scale is set to "0" in the unloaded state. If not, hold the torque wrench tight and turn the extension clockwise until the pointer is at "0".

3

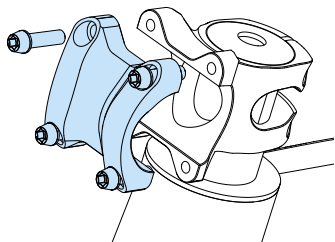


Tightening bolts with the torque wrench:

1. Insert the appropriate bit into the extension of the torque wrench.
2. Set zero position.
3. Turn the bolt clockwise until the pointer indicates the desired torque value on the scale.
  - Only bolts with right-hand thread can be tightened.
  - The torque wrench covers a range from 0 to 10 Nm. Higher torque values cannot be set with this torque wrench!

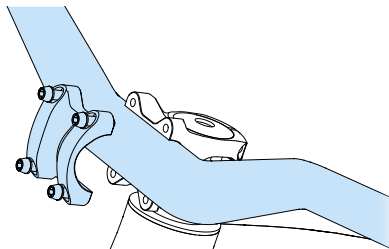
## // MOUNTING THE HANDLEBAR

1



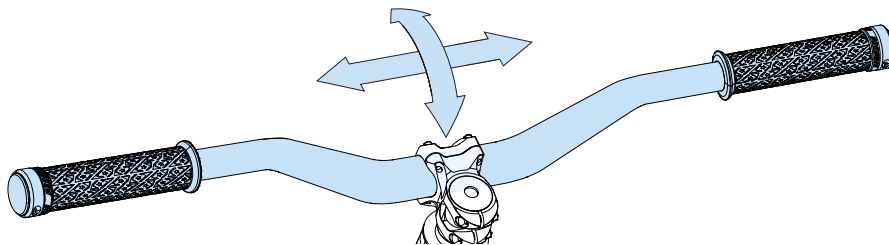
1. Unscrew the stem clamp bolts.
2. Remove the handlebar clamp and the bolts.

2



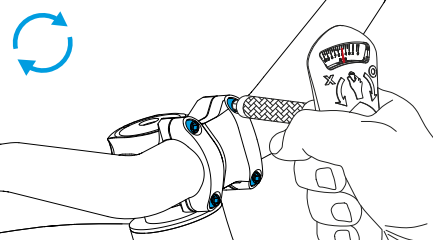
1. Attach the handlebar to the stem.
2. Attach the handlebar clamp and screw in the bolts a few turns by hand.

3



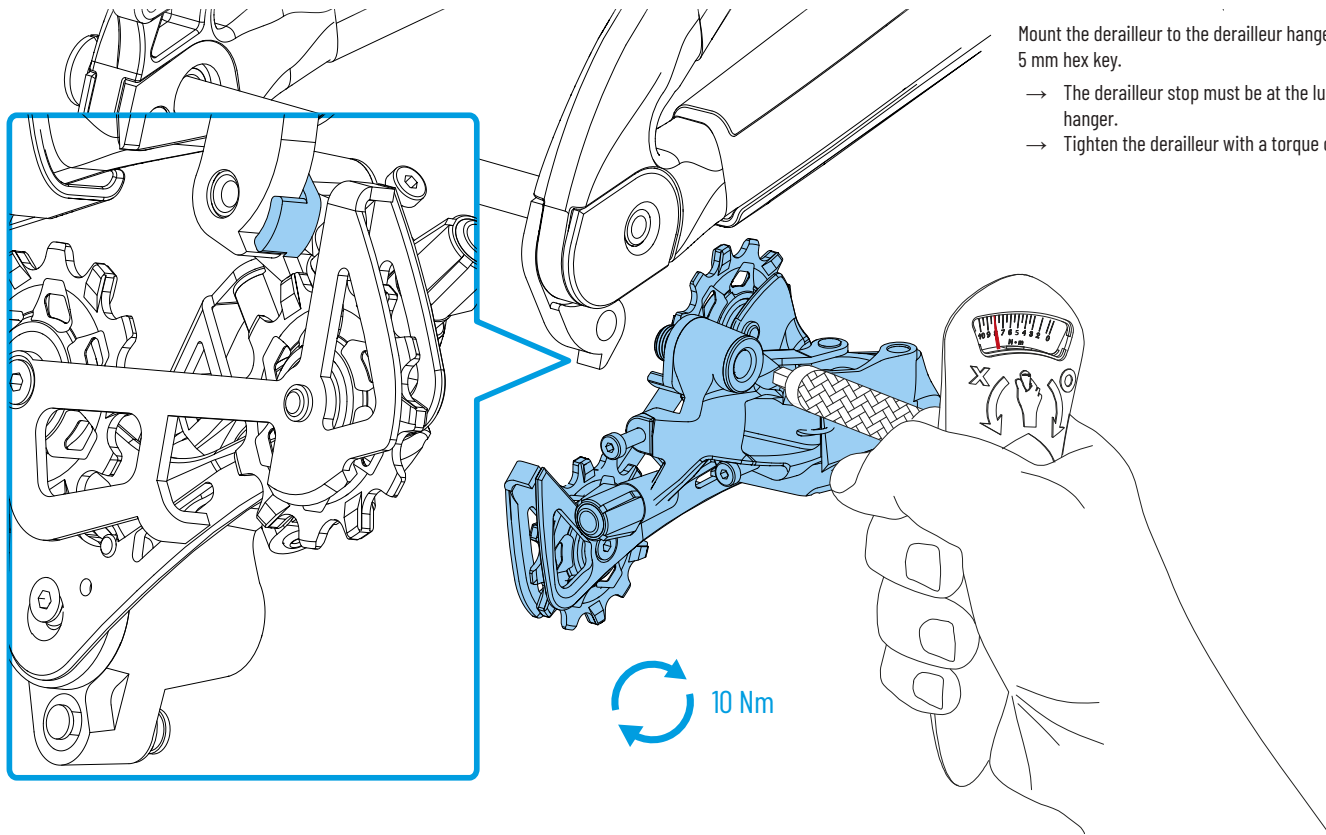
1. Center the handlebar and adjust the angle of the handlebar according to your personal preferences.
2. Adjust the brake levers and the shifters to the angle of the handlebar.

4



1. Screw in the two upper clamping bolts and tighten both bolts with the torque lasered on the clamp or stem.
2. Screw in the two lower clamping bolts and tighten both bolts with the torque lasered on the clamp.

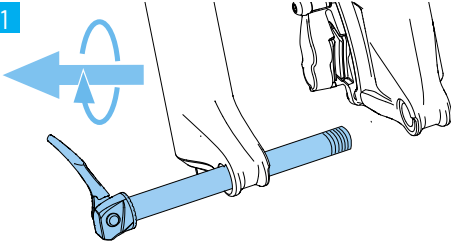
## // MOUNTING THE REAR DERAILLEUR



## // MOUNTING THE FRONT WHEEL

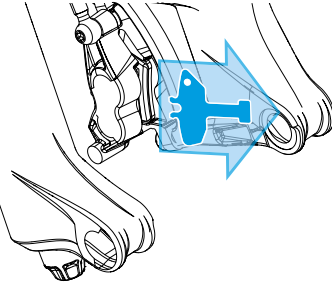
Depending on the fork manufacturer, the thru axle must be pushed from the right or left through the dropout of the fork.

1



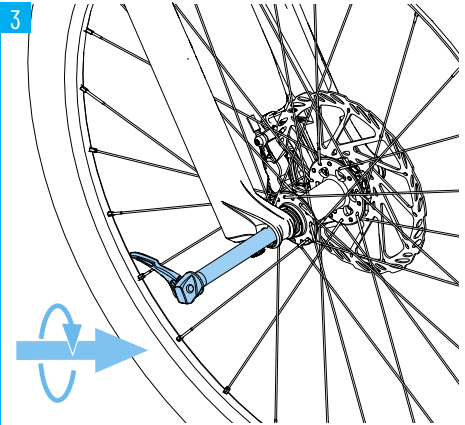
Remove the thru axle from the fork.

2



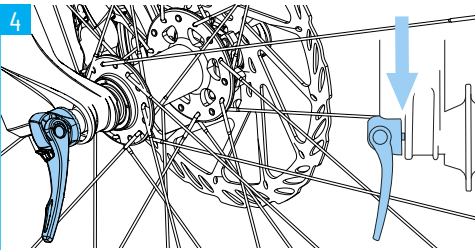
1. Remove the transport securing device that is fitted between the brake pads.
2. Store the transport securing device for future transport of your bike.

3



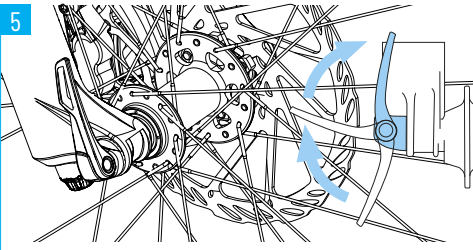
1. Put the front wheel into the dropouts of the fork. The brake rotor must be placed between the brake pads.
2. Open the lever of the thru axle and slide the axle through the non-drive side (left in the direction of travel) fork dropouts and hub of the wheel.

4



Rotate the lever clockwise until there is only a small gap left between lever head and dropout.

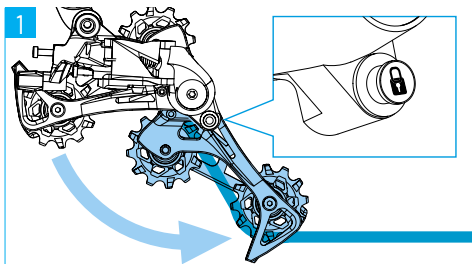
5




1. Close the lever of the thru axle.
2. There must be no gap between lever head and dropout.
  - Closing the lever should require an increasing amount of hand force until the lever is fully closed. To increase lever tension, open the lever and turn it clockwise. Close the lever to recheck lever tension. Repeat until the tension is sufficient, then close the lever.

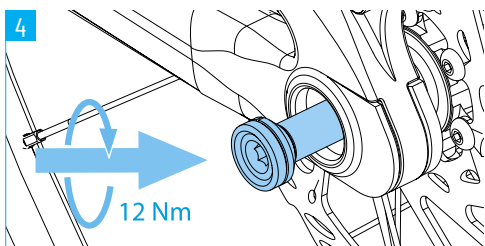


## // MOUNTING THE REAR WHEEL

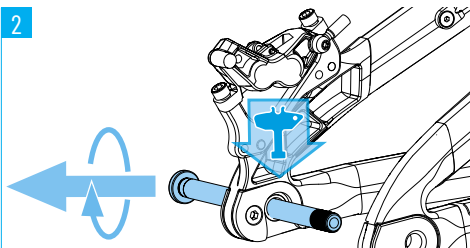


Activate the Cage Lock function. Pull the cage of the rear derailleur forward and press the Cage Lock button with the symbol .

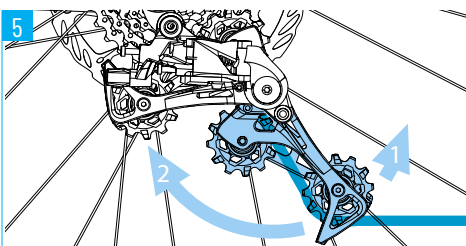
→ The rear derailleur cage remains tilted forward when the Cage Lock function is activated. This simplifies the installation of the rear wheel.



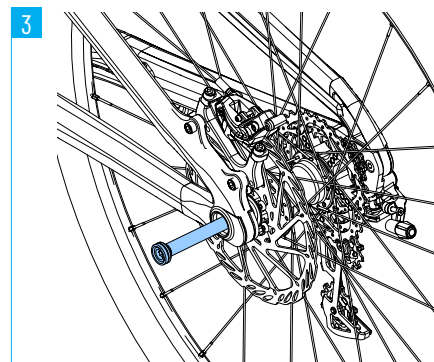
Screw the thru axle into the dropout using a 6 mm hex key and tighten the thru axle to a torque of 12 Nm.



1. Remove the thru axle from the frame.
2. Remove the transport securing device that is fitted between the brake pads.
3. Store the transport securing device for future transport of your bike.

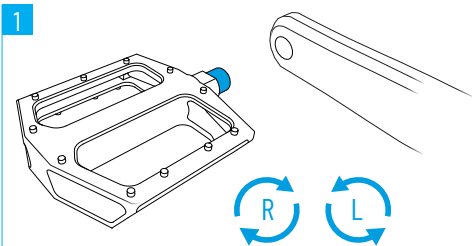


Deactivate the Cage Lock function. Pull the cage of the derailleur slightly forward and carefully return the derailleur to its original position.



1. Insert the rear wheel into the dropout of the frame.
  - The brake rotor must be placed between the brake pads.
  - Put the chain on the smallest sprocket of the cassette.
2. Slide the thru axle from the brake side (left in the direction of travel) into the frame dropout and hub of the wheel.

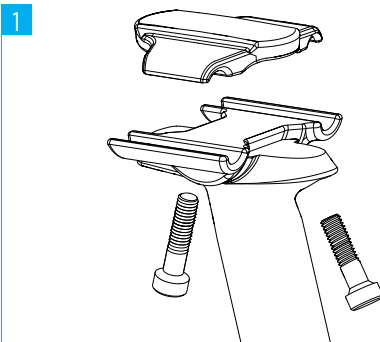
## // MOUNTING THE PEDALS



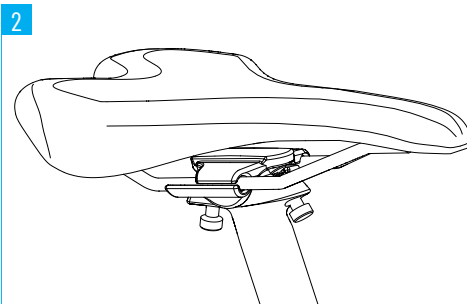
One of the pedals has a right- and the other a left-hand thread. Most pedals have the letter "L" and "R" stamped on the end of the thread. Some pedals come with a groove in the flange of the left pedal.

1. Slightly grease pedal thread.
2. Turn the left pedal counter-clockwise to screw it into the thread of the left crank arm and tighten the pedal to a torque of 35 Nm.
3. Turn the right pedal clockwise to screw it into the thread of the right crank arm and tighten the pedal to a torque of 35 Nm.

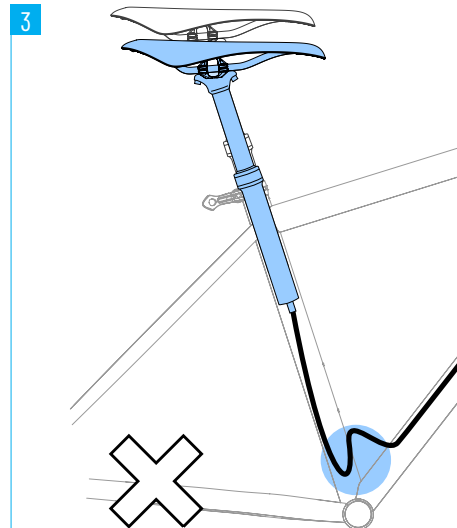
## // MOUNTING THE SADDLE



Unscrew the bolts of the saddle clamp and remove the upper clamp.



1. Attach the upper clamp to the saddle frame.
2. Adjust the saddle to your personal preferences and screw in the clamping bolts.



Adjust the seat height:

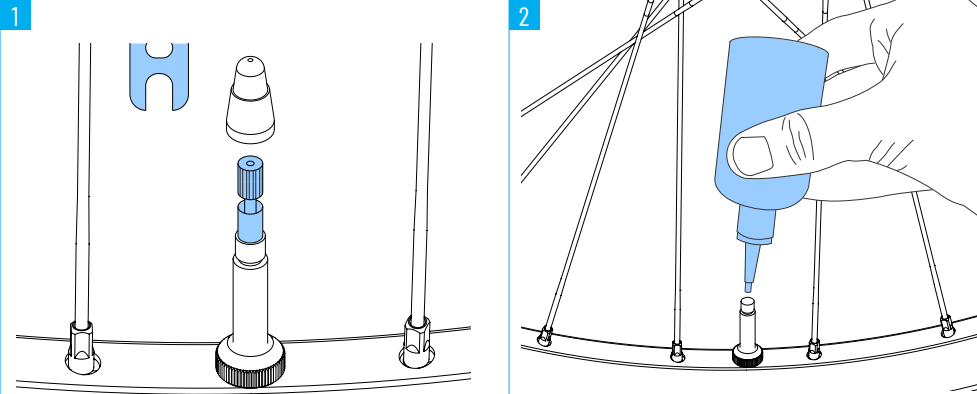
Caution: When adjusting the seat height, the cable of the seat post must be pushed or pulled in or out the frame. Otherwise the cable may get damaged!

1. Open the saddle clamp.
2. Push the seat post carefully and slowly into the frame or pull the seat post out of the frame. At the same time push or pull the cable in or out the frame.
3. Close the saddle clamp.

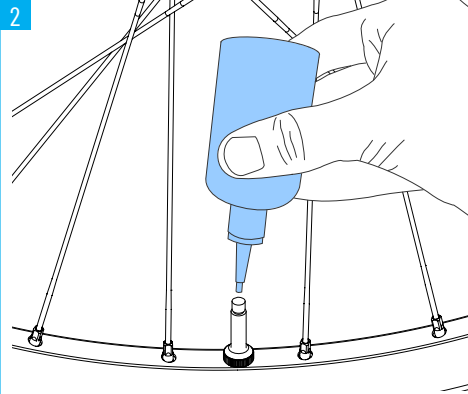
## // INFLATING THE TIRE

If you have ordered your bike without tubeless setup, inflate the tires to a pressure of about 2 bar.

If you have ordered your bike with tubeless setup, you must fill both tires with the enclosed sealing fluid before the first ride.



1. Release the air from the tire completely.
2. Unscrew the valve cap.
3. Unscrew the valve insert from the valve using the valve key supplied.

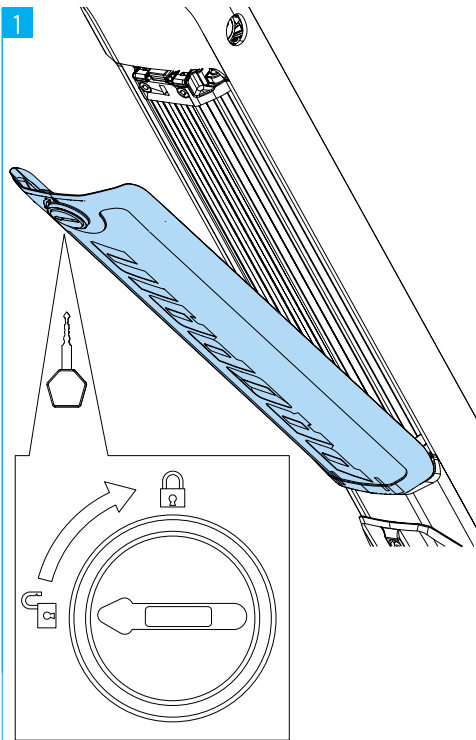


1. Shake the provided sealing fluid for about one minute.
2. Fill the sealing fluid through the valve into the tire. Approximately 60 ml of sealing fluid should be used per tire.
3. Screw the valve insert into the valve using the valve key and tighten it by hand.

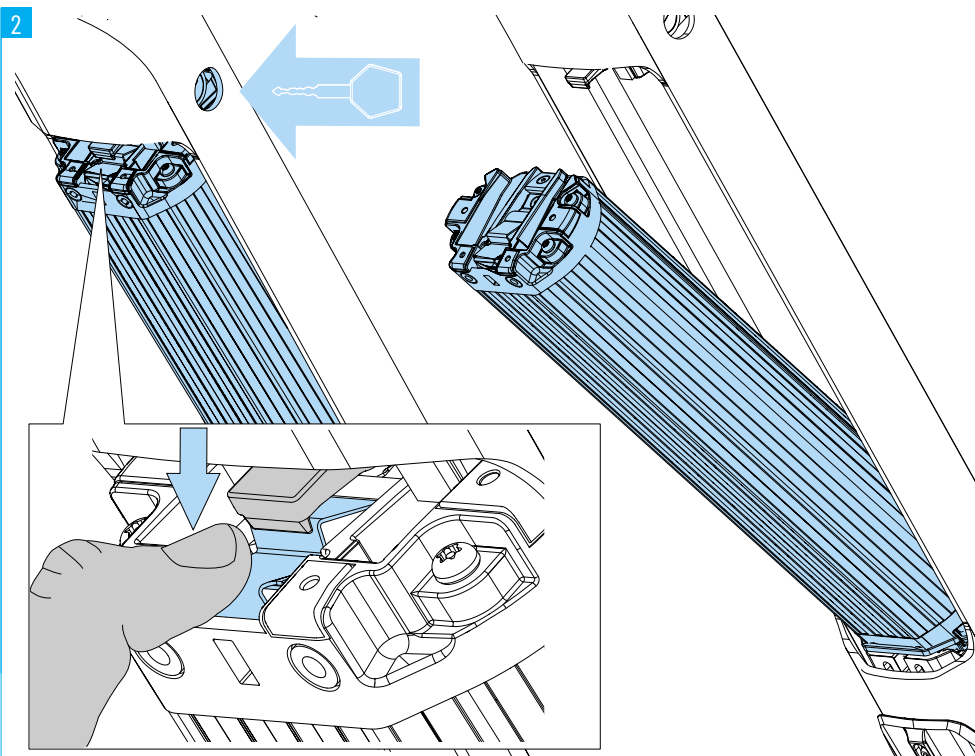
3

1. Inflate the tire to about 2 bar.
2. Check the correct fit of the tire.
  - The tire must contact the rim evenly around its entire circumference. If not, release the air, press the tire into the center of the rim bed and repeat the procedure.
  - Have the tire seat checked by a professional if in any doubt.
3. Slowly rotate and shake the wheel to distribute the sealing fluid over the entire inner surface of the tire.
4. After the tire bead is fully seated, reduce the pressure to your own requirements.
5. Screw on the valve cap.
6. Carry out a short test ride and check the tire pressure regularly.

## // DISMOUNTING THE BATTERY PACK

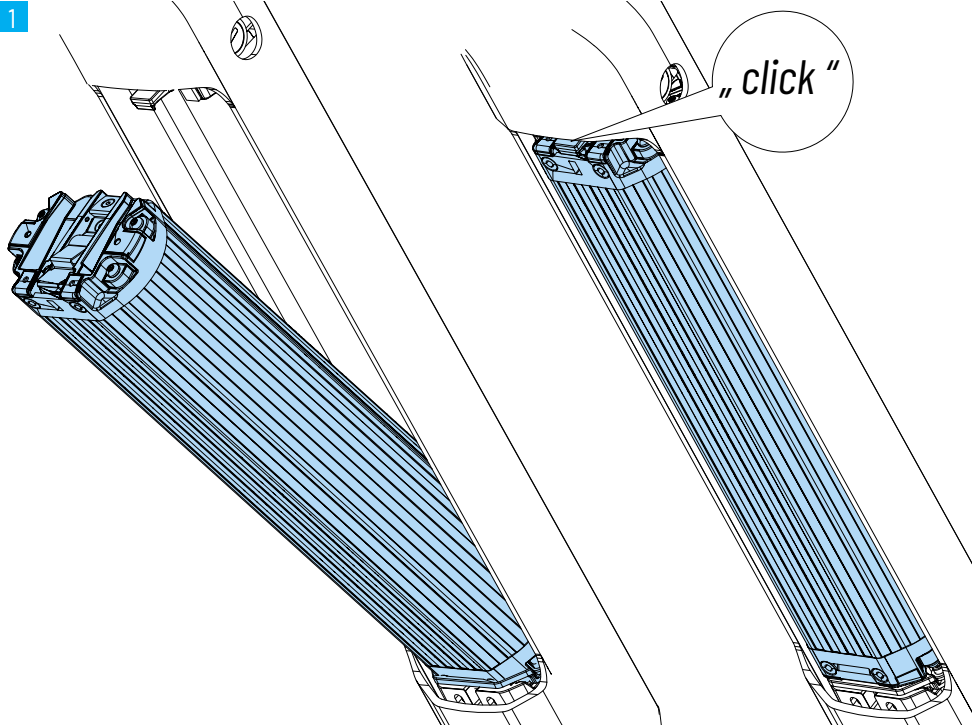


1. Insert the key into the lock of the cover and turn the key counterclockwise.
2. Swing the cover down and remove the cover.

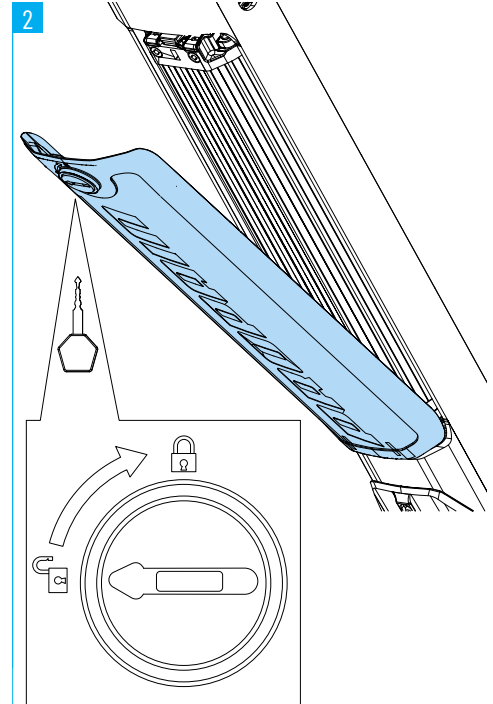


1. Insert the key into the lock of the battery pack and turn the key clockwise.  
→ The battery pack falls into the latch of the removal position.
2. Hold the battery pack, press the release button by hand, swing the battery pack downwards and remove the battery pack.

## // MOUNTING THE BATTERY PACK



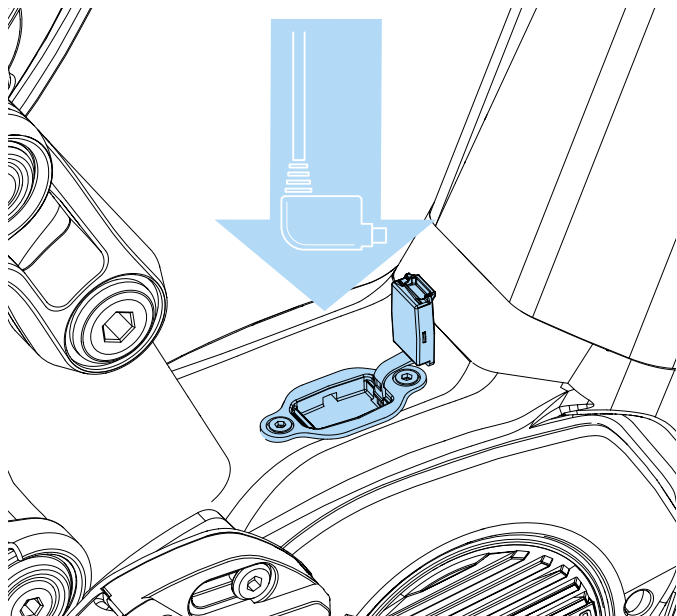
1. Place the lower end of the battery on the lower guide.
2. Swing the battery upwards until it clicks into the lock.  
→ The battery snaps into the lock with a clearly audible "click".
3. Verify the tight fit of the battery pack.



1. Put the lower end of the cover on the lower guide and swing the cover upwards.
2. Insert the key into the lock of the cover and turn the key clockwise.
3. Verify the tight fit of the cover.

## // CHARGING THE BATTERY PACK

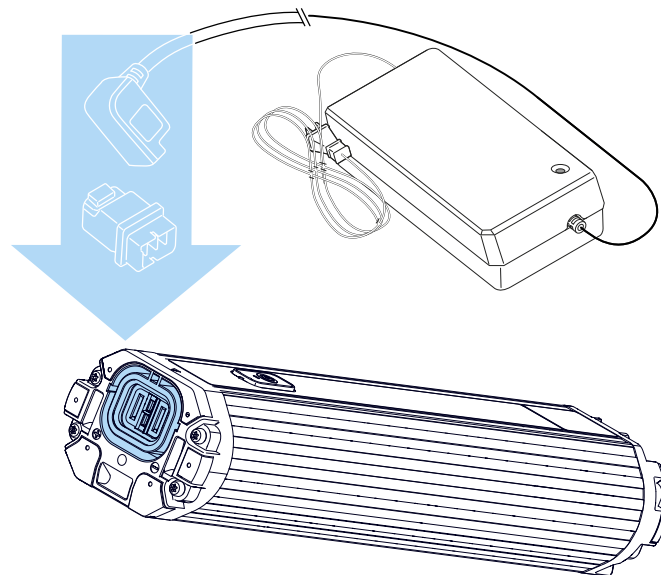
### 1 // CHARGING THE MOUNTED BATTERY PACK



Before charging and using the battery pack, read the user manual of the battery pack!

1. Remove the dust cap from the charging connector.
2. Connect the charger to the charging socket of the battery pack and connect the charger to a mains socket.  
→ The battery pack is fully charged when the LED on the charger turns off.

### 2 // CHARGING THE DISMOUNTED BATTERY PACK

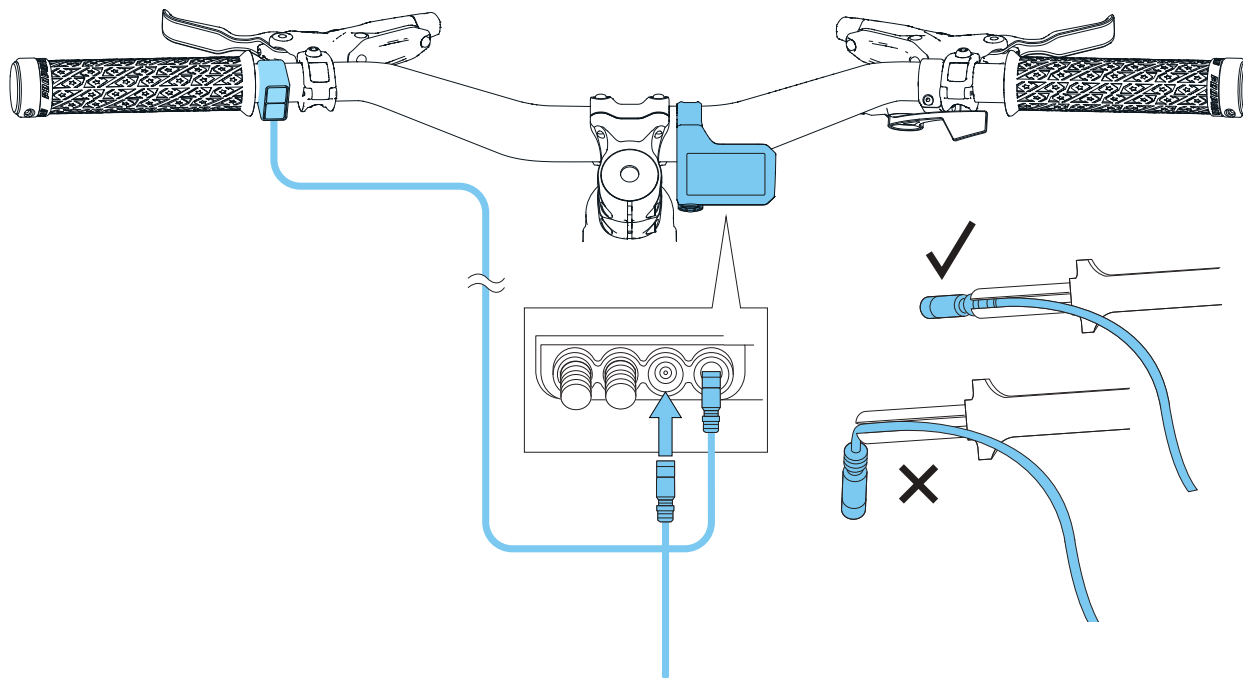


Before charging and using the battery pack, read the user manual of the battery pack!

1. Dismount the battery pack (see previous page).
2. Plug the adapter onto the charging socket of the battery pack.  
You will find the adapter in the box with the other accessories.
3. Connect the charger to the socket of the adapter and connect the charger to a mains socket.  
→ The battery pack is fully charged when the LED on the charger turns off.

## // CONNECTING DISPLAY AND DRIVE UNIT

1

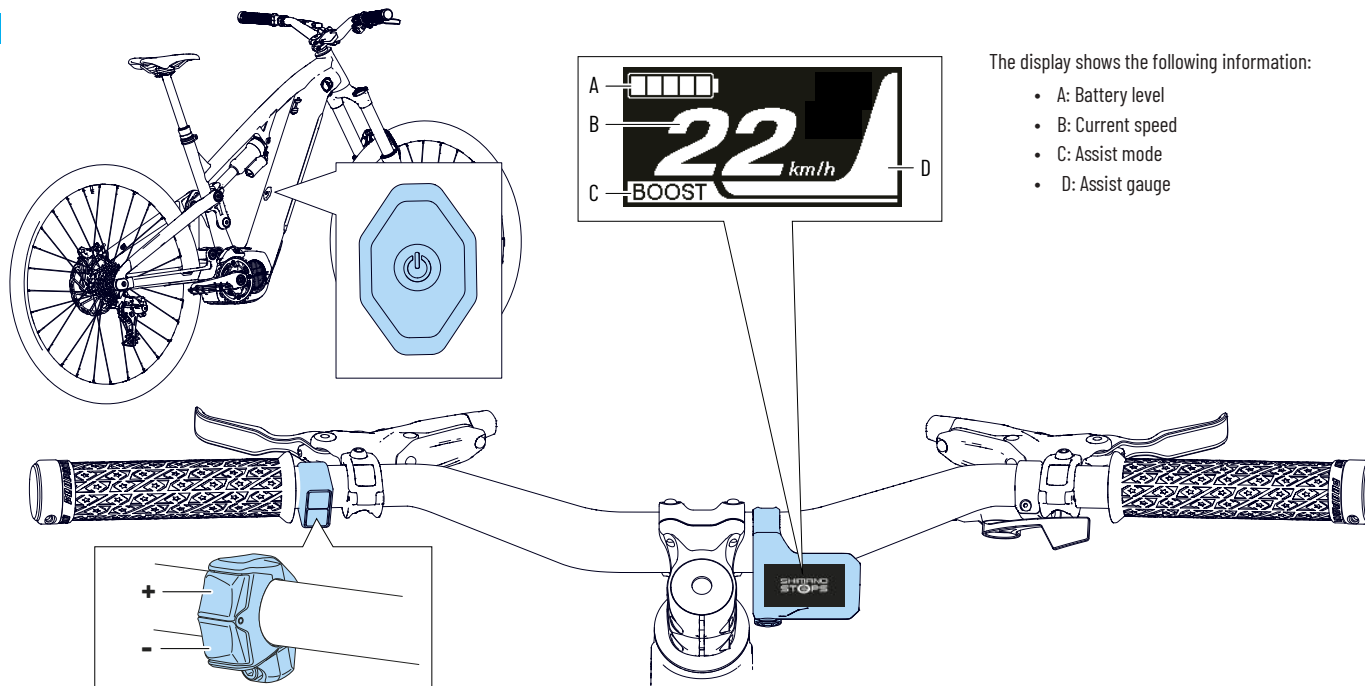


1. Take the enclosed tool for mounting the connector.
2. Using the tool, carefully plug the connector of the cable between the display and the drive unit into the free slot on the underside of the display.
  - The cable must not bend.
  - The connector must engage noticeably.

## // SWITCHING ON YOUR BIKE

Before the first use the battery pack must be activated by connecting it to the charger. The bike cannot be switched on without activating and charging the battery pack!

1



The display shows the following information:

- A: Battery level
- B: Current speed
- C: Assist mode
- D: Assist gauge

1. Press the ON/OFF button on the down tube.
  - After about three seconds the system is activated and the display on the handlebars turns on.
  - The pedals must not be loaded during activation. The system is calibrating.
2. Adjust the support level via the rocker switch on the handlebar. The upper rocker increases the support, the lower rocker decreases it.
  - You can choose between the three support levels ECO, TRAIL and BOOST.



## // ADJUSTING THE SUSPENSION ELEMENTS

Your bike is delivered with a basic adjustment of the suspension elements. Before the first ride, the air pressure in the suspension elements must be adjusted to your body weight.

1



1. Unscrew the valve cap of the shock / fork.
2. Screw on the shock pump and pump the shock / fork up to the required pressure.
  - Observe the instructions for operating the shock pump.
  - We recommend a SAG\* of 15% - 20% on the fork and 20% - 30% on the shock.  
Please pay attention to the manufacturer's instructions of the suspension elements for the air pressure. The corresponding manuals are included.
3. Unscrew the shock pump and screw the valve cap onto the valve.

\* The air pressure of your suspension elements is adjusted via the so-called SAG (negative travel). The SAG is the degree by which the shock and the fork compresses under the weight of the rider. To adjust the SAG, sit on the bike with all your cycling equipment (helmet, backpack, shoes, etc.) and take a normal riding position. No air can escape when unscrewing the shock pump.

## // BEFORE YOUR FIRST RIDE

### 1 PROVISIONS FOR USE



**Kategorie (siehe Anleitung) 4**  
**Category (see manual)**

---

Zulässige Gesamtmasse  
Permissible total mass  
max. **130Kg**

Anleitung vor ersten  
Gebrauch lesen!  
Read manual  
before use!

Observe the basic provisions for the EKANO:

#### INTENDED USE

The intended use of Bikes is divided into five different categories – ranging from the use on paved roads through to downhill or freeride use.

The EKANO must only be used in accordance with the provisions of Category 4 or below.

Details can be found in the user manual of your bike.

#### PERMISSIBLE TOTAL MASS

The permissible total mass (rider + bicycle + equipment + luggage) is 130 kg and may not be exceeded!

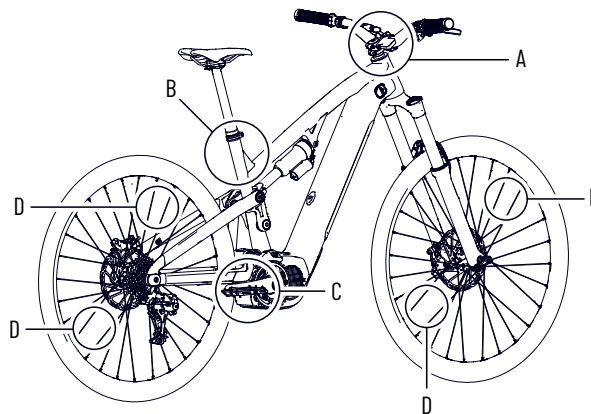
#### USER MANUAL

In addition to these instructions, please refer to the user manual of your bike. All information contained therein must have been read and understood!

### 2 REGULATIONS ACCORDING TO THE GERMAN TRAFFIC REGULATIONS (STRASSENVERKEHRS-ZULASSUNGSORDNUNG STVZO)

If you want to use the EKANO on public roads, a front and rear light, a white front reflector, a red rear reflector and spoke reflectors must be attached to the EKANO. If pedals are fitted retrospectively, make sure that they have yellow reflectors that act forwards and backwards.

These regulations are for the use on public roads in Germany. If the bicycle is used in another country, the requirements applicable there must be observed.



Pos.	Description	Special notes
A	front light and white reflector	The front and rear lights and reflectors must be fitted at dusk, in the dark or whenever required by visibility conditions. The lights and reflectors must be fixed during operation and be protected against accidental movement under normal operating conditions and must be permanently operational. The front light must be set so that other road users are not blinded. The lights and reflectors must not be covered.
B	rear light and red reflector	
C	pedal reflector	Both pedals must have yellow reflectors working forward and backward.
D	spoke reflector	Two spoke reflectors must be fitted to the front and rear wheel.

## // BEFORE YOUR FIRST RIDE

Before your first ride, check all basic functions of your bike to ensure that there are no assembly errors or transport damages. If there are any defects or flaws, you should have your bike inspected and repaired by a qualified bicycle mechanic. Never ride with a defective bike!

### WHEELS / TIRES

Lift the wheels one after the other and spin them.

- The wheels must spin smoothly.
- The wheels must run true, without moving up and down or from side to side.
- The tires must not rub against the frame.

Check the tire pressure.

- The tire pressure should be about 2 bar. The maximum tire pressure of the wheel and of the tire used must not be exceeded.

Check the tightening torque of the thru axles.

- The lever of the thru axle of the front wheel must be closed firmly!
- The thru axle of the rear wheel must be tightened to 12 Nm!

### COMPONENTS

Verify the tight fit of the stem: Stand in front of the bike with the front wheel between your knees and try to turn the handlebar left and right.

- It should not be possible to turn the handlebar with normal force.

Check the headset for play: Stand next to your bike, pull the front brake lever and gently push the bike backwards and forwards.

- No bearing play must be detectable.

Make sure that all components are tight.

- Tighten the parts to the proper torque, if need be. In case of doubt, contact the Propain Service.

### FRAME

Check the frame for damages and deformation.

- There must be no damages.

### FORK / SHOCK

Sit on the bike with all your cycling equipment (helmet, backpack, shoes, etc.) and take a normal riding position.

- We recommend a SAG of 15% - 20% on the fork and 20% - 30% on the shock.
- If necessary, change the air pressure of your suspension elements. If you have ordered a shock with steel spring you have already chosen a spring rate corresponding to your weight. Details can be found in the user manual of your bike.

### BRAKES

Check brake efficiency: Pull one brake lever after the other while standing and push the bike backwards and forwards.

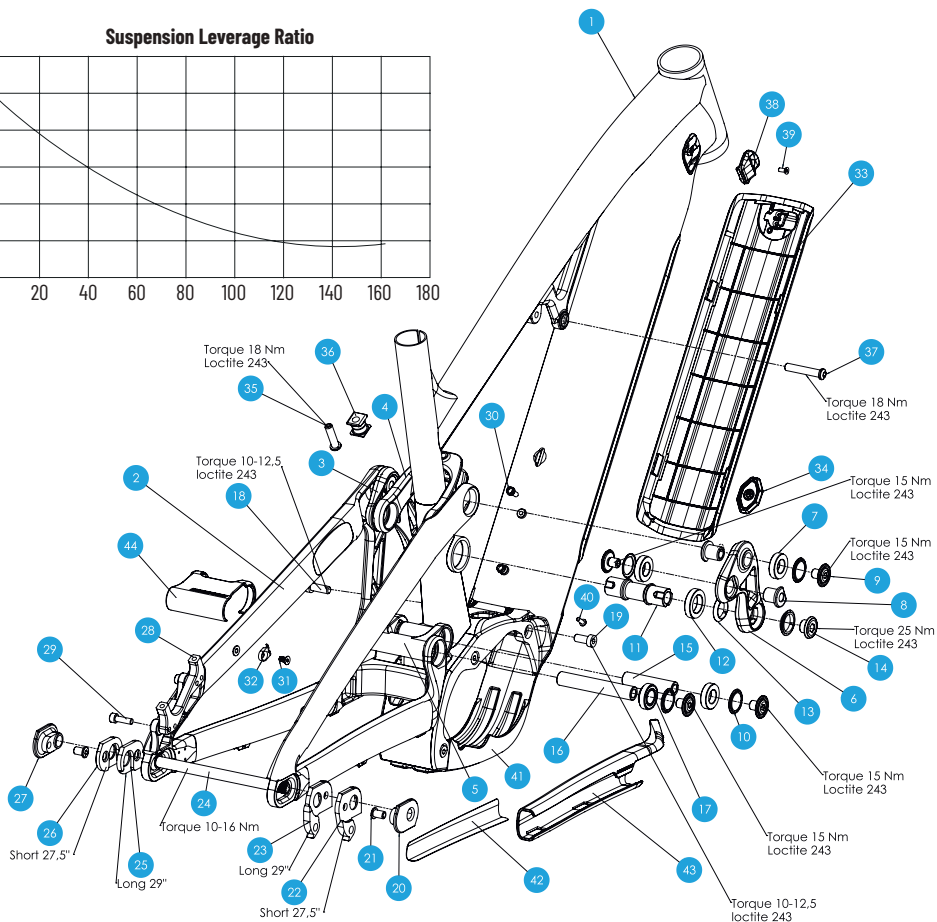
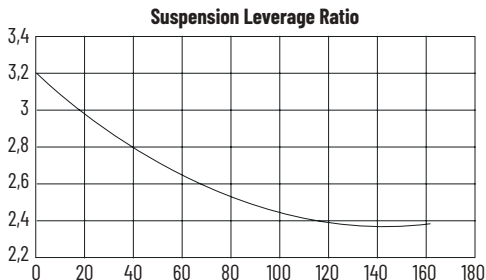
- The front and rear wheel must lock when the brake lever is pulled.

Check whether the brake hoses and connections are losing brake fluid and check them for defects.

- Brake fluid must not escape at the connections.

Break in the brake pads. Choose a road away from public roads and brake 20 to 30 times with the front or rear brake from a speed of 30 km/h down to 5 km/h. You should brake as hard as possible without locking one of the wheels. Repeat the process for the other brake. Only then the brake can show its full braking power.

## // TECHNICAL SPECIFICATIONS



## EKANO - Standards

Maximun fork length	170mm
Shock length	230 mm
Shock travel	57,5 / 62,5 mm
Shock mount top	8mm x 25mm
Shock mount bottom	Propain custom flipchip set
Rear wheel travel	150 / 165mm
Brake mount	Post mount 203
Seat post diameter	31,6mm
Head set (S.H.I.S.)	Top: ZS44 / Bottom: ZS56
Rear wheel axle	Sixpack axle (Boost)
Rear hub width	148mm (Boost)
Tire size	27,5" / 29" / Mix
Engine	Shimano E8000 series DUE8000A
Chain guide	Shimano SM-CDE80
Battery	Shimano BT-E8035
Charging port	Shimano EW-CP100
Speed sensor	Shimano SM-DUE11

NO	Propain partnumber-version	Description	QTY.
1	000874-AE	Ekano_Main_frame	1
2	000916-AE	Rear_triangle	1
3	000952-AE	Lever_high_left_e-bike	1
4	000925-AG	Yoke_e-Bike	1
5	000846-AB	Lever_low_e-Bike	1
6	000952-AE	Lever_high_right_e-bike	1
7	000006-AA	Bearing_15x28x7	6
8	000879-AA	Axle_15x16,5_M10x1	4
9	000600-AB	15mm_Axle_Cap	8
10	000602-AB	Dust_cap_seal	8
11	000366-AB	Upper_lever_axle	1
12	000367-AA	Bearing_20x32x7	2
13	000368-AB	Clamp_ring	4
14	000369-AB	Axle_cap_M14x1	2
15	000848-AA	Axle_15dia_63mm_M10x1	1
16	000849-AA	Axle_15dia_92,86mm_M10x1	1
17	000176-AA	Bearing_15x28x7_flange	2
18	000971-AA	Bolt_M8x22	3
19	000972-AA	Bolt_M8x18	3
20	000508-AA	Dropout_Driveside_outer	1
21	000518-AA	Bolt_M8x0.75x12_chainring-style	2
22	000523-AA	Hanger_short	1

NO	Propain partnumber-version	Description	QTY.
23	000511-AA	Hanger_long	1
24	000926-AA	Propain_Sixpack_X12_axle	1
25	000510-AA	Dropout_Nonedriveside_inner_long	1
26	000524-AA	Dropout_Nonedriveside_inner_short	1
27	000509-AA	Dropout_Nonedriveside_outer	1
28	000516-AB	Brake_adapter_E-bike	1
29	000520-AA	Bolt_M6x20_DIN912	2
30	000733-AA	Bolt_M5x15	2
31	000236-AA	Bolt_M5x10_countersunk_DIN7991	2
32	000057-AA	Cable_guide_1	2
33	001192-AA	Battery_cover_complete	1
34	000942-AE	Swith_on-off_e-bike	1
35	000903-AA	Bolt_M8x35_custom	1
36	000950-AA	Flipship_set_e-bike	1
37	000878-AA	Bolt_M8x35_custom	1
38	000933-AA	Cable_guide_top_e-bike	2
39	000019-AA	Bolt_M4x10_countersunk	2
40	000521-AA	Bolt_M4x12_roundhead_ISO 7380-1	3
41	001089-AD	DT_&_Motor_protector_E-bike	1
42	000946-AA	Seat_stay_protector	1
43	000987-AF	chain_stay_protector	1
44	000970-AB	lever_low_protector	1

### WE BUILD THE BEST BIKE FOR YOU

Congratulations on your new bike & thanks for your trust!

And now straight onto the bike! That's almost right, because it doesn't take long to assemble your bike. Nevertheless, please take the time to set up your bike correctly and read all safety-relevant information in this user manual. So you are safe on the road and have much more fun with the right setup. With our manuals you will learn step by step how to set up your bike correctly and get all the information you need. So you will be familiar with your bike in no time at all.

Now your bike has to come out of the box. It is best to have some space around you for the assembly. Our bikes come pre-assembled so that you don't have to have a specialist workshop at home or be a professional mechanic. You still can't get ahead? Then simply contact our customer service, whether via [info@propain-bikes.com](mailto:info@propain-bikes.com) or under +49 (0)751 201 802 22. Together we will find a solution. One more request: We want you to have fun with your bike and be safe on the road. If you are unsure about the assembly, contact a professional. We cannot accept any liability if crashes and injuries occur due to incorrect installation or incorrect use.

Ready? Then we wish you lots of fun with your new bike!

PS: We are happy about your best pictures at [#propainbicycles](https://www.instagram.com/propainbicycles)

## 1. SPECIAL INFORMATION FOR PARENTS, GUARDIANS AND SUPERVISORS

This manual covers both adult, teenager and kid's bikes. Your child may already be riding a bike in a size that is intended for adults. All persons entrusted with the care or supervision of the child must know, understand and observe the following points.



### DANGER

RISK OF ACCIDENTS DUE TO CARELESSNESS AND LACK OF SENSE OF RESPONSIBILITY OF THE CHILD!

Children are often unable to assess dangers correctly and often do not have the necessary experience and sense of responsibility to use a bike safely!

- Parents, guardians or supervisors are responsible for the safe use and perfect condition of the child's bike.
- The points listed on this page must be observed during every ride.
- In case of doubt, the PROPAIN Service or a qualified bicycle mechanic must be consulted.

As a parent, guardian or supervisor, you are responsible for the activities and safety of the child.

The following points are your responsibility:

- You must read this user manual and discuss the warnings, functions and use of the bike with your child before you let him or her ride the bike.
- You must fit the bike properly to the child or have it fitted properly.
- You must ensure that the bike is always in perfect condition.
- You and the child must have learned and understood the safe operation of the bike. The focus of the first rides should be to teach the child to brake safely and to use the bike safely.
- You and the child must have learned, understood and followed not only the applicable local laws for motor vehicles, bicycles and traffic, but also the common sense rules for safe and responsible cycling.
- You must ensure that your child always wears an approved bike helmet when riding, but also that your child understands that a bike helmet is only suitable for cycling and must be removed when not riding. A helmet may not be worn when playing, on playgrounds, on playground equipment, when climbing trees, or never when not riding a bike. Failure to observe this warning may result in serious injury or death.
- Parental supervision is required when using a kid's bike.

## // USER MANUAL

- The supervising adult must observe at all times whether the child is assessing situations correctly and whether the bike is under control according to the requirements of the environment.
- You must make sure that the bike is the right size for the child. Both feet must touch the ground when the child is sitting on the saddle.

## 2. GENERAL

This user manual is the most important element to prevent any damages and risks during the use and servicing of your bike. It is provided to give you the most important information on your bike and to give you helpful tips over the entire life of your bike. If you have any doubts or uncertainties regarding the work on your bike, you should always consult a qualified bicycle mechanic or the PROPAIN service. Please read this manual carefully before taking the first ride on your new bike and make sure you understand everything. Ensure that third-party users are also informed about the contents of this manual and that they understand and follow all instructions. Keep this user manual for future reference. If you sell or give away your bike, please include this user manual. This user manual is also available at [www.propain-bikes.com](http://www.propain-bikes.com).

### 2.1 EXPLANATION OF SYMBOLS USED



#### DANGER

...indicates a hazard with a high level of risk which, if not avoided, will result in death or serious injury.



#### CAUTION

...indicates a hazard with a low level of risk which, if not avoided, may result in minor or moderate injury.



#### NOTE

... indicates a potentially hazardous situation that may result in damage to property.



## 2.2 TARGET GROUP

This manual is intended for you, the owner of the PROPAIN bike. For kids bikes, the target groups of this user manual are parents, guardians or the person supervising them (see also „1. Special information for parents, guardians and supervisors“). Assembly and maintenance works require basic knowledge in bike technology. If in doubt, consult a qualified bicycle mechanic. Improper assembly or maintenance of your bike may result in serious injury or death!

## 2.3 REQUIREMENTS TO OPERATE AN E-BIKE

The rider must be mentally and physically able to safely operate the bike over a longer period of time and longer distances. For beginners and those getting back into bike riding, special bike skills courses are recommended.

## 2.4 OWNER'S MANUALS SUPPLIED BY COMPONENT MANUFACTURERS

This manual contains all information you need for a safe use of your bike. In addition to this user manual, your bike may be accompanied by some product information or user manuals from various component manufacturers. If need be, you can use those documents for further information on the respective product, its assembly and setup. The user manuals of some manufacturers might only be available online (also see „8.3 Further Information“).

## 2.5 TOOLS

Work on the bike may only be carried out with suitable tools. Screw connections must be tightened to a defined torque using a torque wrench. A proper installation and removal of components can only be guaranteed when using perfectly functioning and undamaged tools.

## 2.6 THE SPECIAL PROPERTIES OF CARBON

Carbon frames must not be clamped (e.g. into a work stand) or subjected to pressure in any other way. Always tighten carbon parts to the prescribed torque. Damage to carbon components is not necessarily immediately visible. If in doubt, consult a qualified bicycle mechanic. Carbon parts have a limited lifespan. Handlebars, seat posts, stems, cranks and wheels made from carbon should be replaced regularly (e.g. every three years). Intense heat permanently damages the carbon structure. Carbon parts must not be stored close to heat sources or in a vehicle in direct sunlight.

## // USER MANUAL

### 2.7 INSTALLATION OF COMPONENTS AND ACCESSORIES

Bike trailers must only be fixed to the rear axle of the bike using special hitching devices. The connecting element between trailer and bike frame must not touch the bike frame. Child seats and trailers for clamp mounting on seat post or frame must not be used. No racks may be attached to the seat post or frame. Please read the manufacturers' manual before the installation of components and accessories. Make sure to not exceed the maximum system weight (see „2.10 Weight limit“) even with all add-on parts and accessories fitted!

### 2.8 WEARING PARTS

The components listed below should be checked regularly and replaced, if required:

- Battery pack / drive unit
- Tires and tubes
- Rims
- Brake rotors and brake pads
- Bearings (headset bearings, bottom bracket bearings, rear triangle bearings, hub bearings)
- Chain, cassette and sprocket
- Handlebars, stem and grips
- Saddle and seat post
- Grease, lubricant, hydraulic oil and brake fluid
- Shift cables and housings
- Fork and rear shock
- Stickers and paintwork

## 2.9 EXCHANGE OF COMPONENTS

This user manual is valid for the original condition of your bike. The exchange of components is subject to special regulations for e-bikes. You can find information on this in chapter „6.2 Replacement of parts“.

An exchange of components is always the responsibility of the user and must be carried out in consultation with a qualified bicycle mechanic or the PROPAIN Service. It is possible that the exchange of components will change the guarantee claims.

## 2.10 WEIGHT LIMIT



### DANGER

#### DANGER OF ACCIDENTS DUE TO EXCEEDING THE MAXIMUM SYSTEM WEIGHT!

The maximum system weight is the sum of rider, bike, equipment (helmet, backpack, shoes, clothes) and luggage. Exceeding the maximum system weight can weaken components and lead to sudden and uncontrolled component failure.

#### THE MAXIMUM SYSTEM WEIGHT OF PROPAIN E-MTBS IS 130 KG!

The maximum system weight must not be exceeded! If components are exchanged, their maximum system weight must not be less than that of the bike.

## // USER MANUAL

### 2.11 EXCLUSION OF LIABILITY

The tasks described in this manual require special knowledge and should only be carried out by people with sufficient expertise.

The user is liable for damages resulting from:

- Misuse or any other cause beyond the range of the intended use (see „3.5 Bestimmungsgemäßer Gebrauch“)
- Non-compliance with safety regulations
- Improper assembly, repair and maintenance
- Use of unapproved replacement parts and accessories
- Change of construction

If in doubt, a qualified bicycle mechanic or the PROPAIN service must be consulted.

## 3. SAFETY

### 3.1 GENERAL SAFETY



#### DANGER

RISK OF INJURY DUE TO INSUFFICIENT PROTECTIVE EQUIPMENT!

Effective safety equipment contributes to your personal safety.

- Always wear a helmet.
- When riding off-road, wear protectors for knees, elbows and back, as well as gloves and a full-face helmet.
- Always wear highly visible and reflective clothing.



## DANGER

### RISK OF ACCIDENT DUE TO IMPROPERLY INSTALLED COMPONENTS!

Improperly installed components can become loose or break during the ride!

- The assembly must be carried out according to the assembly instructions.
- In case of doubt, the PROPAIN service or a qualified bicycle mechanic must be consulted.



## DANGER

### RISK OF ACCIDENT DUE TO USING THE ON-BOARD COMPUTER WHILE RIDING!

Reading from the computer display or changing settings while riding may distract from the traffic situation. This may result in accidents caused by delayed or hindered rider responses!

- For all settings other than those concerning the level of assistance, you should stop off the road to enter the respective data.



## DANGER

### RISK OF ACCIDENT DUE TO REDUCED BRAKING PERFORMANCE CAUSED BY BRAKE PADS THAT ARE NOT BROKEN IN!

Disc brakes can only achieve full braking power when the brake pads are broken in. Choose a place off public roads to break in the pads.

- Brake 20 to 30 times with the front or rear brake from a speed of 30 km/h down to 5 km/h and repeat the process for the second brake. You should brake as hard as possible without locking one of the wheels.
- Please see the brake manufacturer's instructions for more information (see also „6.3 Further Information“).

## // USER MANUAL



### DANGER

#### RISK OF ACCIDENT DUE TO SUDDEN TOTAL FAILURE OF PRE-DAMAGED COMPONENTS!

A crash or unplanned riding manoeuvres can pre-damage components of your bike unnoticed. Pre-damaged components can be deformed or break while riding.

- Check your components regularly and after a crash or accident for damage and malfunctions.
- Components that are subject to high stress must be regularly replaced and checked by a qualified bicycle mechanic. Damaged components must be replaced immediately.



### DANGER

#### RISK OF INJURY DUE TO ACCIDENTAL ACTIVATION OF THE E-BIKE DRIVE SYSTEM!

- Always remove the battery pack from the e-bike before working on the electric bicycle (e.g. servicing, repair, assembly, maintenance works), as well as before transport (e.g. by car or plane) and storage.



### DANGER

#### DANGER CAUSED BY INCREASING THE MAXIMUM SPEED OR SPEED LIMITATION OF THE E-BIKE!

Pedelec tuning bears incalculable liability risks as well as the risk of irreversible damage to the system!

- It is not permissible to modify the e-bike drive system.
- It is not permitted to mount any products that might be able to increase the power of the e-bike system.
- Improper use of the drive system endangers your safety and the safety of other road users.
- When causing accidents due to manipulations, you risk high liability costs and criminal prosecution.
- All components are adapted to the original performance data of the e-bike. Higher loads may overload the system, reduce its life and irreversibly damage the system on the long term.
- Guarantee and warranty claims are lost.

## 3.2 SAFETY IN PUBLIC TRAFFIC



### DANGER

#### RISK OF ACCIDENTS DUE TO INCORRECT BEHAVIOUR IN ROAD TRAFFIC!

You as a cyclist are the weakest link in road traffic. Accidents involving other road users usually end with serious consequences for cyclists!

- Follow the rules of public road traffic and all local traffic regulations.
- Drive concentrated, anticipatory and defensive. Always assume that other road users do not see you.
- Wear a helmet and highly visible and reflective clothing for each ride.



### DANGER

#### RISK OF ACCIDENT DUE TO INSUFFICIENT EQUIPMENT FOR USE ON PUBLIC ROADS!

The equipment prescribed for bikes for use on public roads is primarily intended to ensure the visibility of cyclists. If you as a cyclist are not recognized or are recognized too late, accidents with serious consequences can happen.

- Your bike must be equipped with all country-specific components required for public road traffic!
- In addition to the risk of accident, failure to comply with the regulations can lead to the imposition of fines and loss of insurance cover.
- For rides abroad or cross-border rides, observe the legal requirements applicable there.

## // USER MANUAL

### GERMANY

In Germany the necessary equipment for public road traffic is regulated in the "Straßenverkehrs-Zulassungs-Ordnung" (StVZO).

If you want to ride your pedelec on public roads in Germany, the following equipment must be installed:

Description	Special notes
White front light and white reflector	The front and rear lights and reflectors must be fitted at dusk, in the dark or whenever required by visibility conditions. The lights and reflectors must be fixed during operation and be protected against accidental movement under normal operating conditions and must be permanently operational.
Red rear light and red reflector	The front light must be set so that other road users are not blinded.
Pedal reflector	Both pedals must have yellow reflectors working forward and backward.
Spoke reflector	Two spoke reflectors must be fitted to the front and rear wheel. Alternative: Tires with reflective strips or spoke sticks on each spoke.

These regulations are for the use on public roads in Germany. If the bicycle is used in another country, the requirements applicable there must be observed.



## GREAT BRITAIN

In Great Britain, the necessary equipment for public road traffic is regulated in the "Highway Code".

If you want to ride your pedelec on public roads in Great Britain, the following equipment must be installed:

Description	Special notes
Front light	At night cyclists must have their white front and red rear lights lit. Their bicycles must also be fitted with a red rear reflector and amber pedal reflectors. Flashing lights are permitted but cyclists riding in areas without street lighting should use a steady front lamp instead.
Rear light	
Rear reflector	
Pedal reflector	
Lateral reflectors	White front reflectors and spoke reflectors can also increase your visibility to other road users.
White front reflectors	

The "Highway Code" contains further information on the rider's equipment, such as helmet and warning clothing, which are not included here.

## // USER MANUAL

### 3.3 SAFE USE OF THE BATTERY PACK

In addition to the safety instructions below, please also follow the instructions described in „7. Bike transport and storage“.



#### DANGER

##### RISK OF INJURY DUE TO ELECTRICAL VOLTAGE!

- The charging plug, the charger and the mains cable must not be damaged. To avoid damage, do not modify the power cord or plug, do not bring them near hot objects, do not bend, twist or pull them, do not place heavy objects on them and do not bundle them tightly.
- The mains socket to which the charger is connected must have a voltage of 100 to 240 V AC and must have appropriate electrical fuses.
- When connecting and disconnecting to/from a mains socket, always hold the power cord by the plug.
- The battery charger must not be used with a transformer for power voltages abroad (travel adapter).



#### DANGER

##### RISK OF INJURY DUE TO ESCAPING LIQUIDS OR VAPOURS!

Damages or improper use may cause liquid or gas to escape from the battery. This can lead to skin irritation, eye irritation, respiratory irritation or burns!

- Avoid contact with escaping gas or liquid.
- In case of contact with skin, wash off with water.
- In case of contact with the eyes, seek medical assistance.
- If irritation of the respiratory tract occurs, supply fresh air and consult a doctor if necessary.



## DANGER

### RISK OF ACCIDENT DUE TO INCORRECT HANDLING OF THE BATTERY OR ITS USE IN A WAY THAT IS NOT INTENDED!

- Only use the battery in combination with the appropriate e-bike drive system.
- The battery is designed for use in accordance with the intended use of your e-bike (see „3.5 Intended use“). Any other use may cause damages to the battery.
- The battery is designed for the following temperature ranges:
  - Charging: 0°C to +40°C
  - Unloading: -10 °C to 50 °C
  - Storage: +10 °C to +20 °C
- The battery needs to be recharged at least every 3 months when not in use in order to avoid a deep discharge.
- Only use approved models when replacing the battery pack.
- The battery and charger must be out of reach of children.



## DANGER

### RISK OF INJURY DUE TO IMPROPER CHARGING OF THE BATTERY!

Improper charging may cause the battery or other inflammable materials nearby to catch fire.

- Only use the original charger.
- Do not locate the charger or battery near inflammable materials while charging.
- The charger must not be covered during charging and must stand securely.
- The charging plug must not be damp or wet.
- Only charge the battery when dry.
- Do not leave the battery unattended while charging it.
- If the charging process takes an unusually long time or an error occurs during charging, disconnect the battery and contact Propain Service.
- The surrounding temperature during charging may not be below 0°C or above +40°C.

## // USER MANUAL



### DANGER

RISK OF INJURY DUE TO SHORT CIRCUIT, EXPLOSION AND ELECTRICAL FIRE!

- Batteries must not be subjected to mechanical impacts.
- Do not open the battery pack. Otherwise, there is the risk of a short circuit.
- Keep the battery away from heat (and out of permanent sunlight) and fire and never drop it into water.
- Do not store or operate the battery near hot or inflammable objects.
- Keep the battery away from paper clips, coins, keys, nails, screws, or other metal objects that may cause bridging.



### DANGER

RISK OF INJURY DUE TO A DAMAGED BATTERY!

E-bike batteries have a very high energy density. Damages to the battery and a sudden discharge may cause dangerous situations!

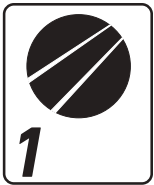
- Contact the Propain service if the battery is damaged!
- In the following cases, the battery must no longer be used:
  - The battery is damaged or deformed or the housing is cracked.
  - Liquids or vapours escape from the battery.
  - The battery heats up strongly or becomes very hot.
  - Battery malfunction or failure.
- If one of the above-mentioned errors occur, the following measures must be taken:
  - Move far enough away from the battery to avoid inhaling escaping vapors and touching escaping fluids.
  - Remove all flammable materials around the battery.
  - Make sure the area around the place of storage is safe.
  - Store the battery in a fireproof container or on the ground.

### 3.4 DUTY OF CARE AND RESPONSIBILITY OF THE RIDER

Following the instructions specified in this manual does not absolve the riders from their duty of care to ensure that their bike is always in good condition. If you have any questions, a qualified bicycle mechanic or the PROPAIN service must be consulted. As it is impossible to foresee all situations or circumstances that may occur during riding, this user manual does not guarantee the safe use of the bike under all conditions. There are risks associated with the use of bikes that cannot be predicted or avoided and are the sole responsibility of the rider.

### 3.5 INTENDED USE

The intended use of PROPAIN bikes is divided into five different categories – ranging from the riding on paved roads through to downhill or freeride use. The bikes must only be used in accordance with their intended purpose/use. Otherwise the user shall assume responsibility. A sticker on the frame of your bike will show you the intended use.



#### CATEGORY 1: FOR USE ON PAVED ROADS ONLY

Category 1 includes all bikes and components that should only be used on paved roads. The wheels are always in contact with the ground.



#### CATEGORY 2: FOR USE ON AND OFF THE ROAD AND FOR DROPS OF UP TO 15 CM

Category 2 includes all bikes and components that can be used in conditions described under category 1, as well as on gravel roads and moderate trails. The wheels may not always be in contact with the ground. Drops are intended to be limited to 15 cm or less.

## // USER MANUAL



### CATEGORY 3: FOR USE IN ROUGH TERRAIN AND FOR JUMPS OF UP TO 61 CM

Category 3 includes all bikes and components that can be used in conditions described under category 1 and 2, as well as on rough trails and rough and unpaved roads that require good cycling skills. Jumps and drops should not be higher than 61 cm.



### CATEGORY 4: FOR USE IN ROUGH TERRAIN AND FOR JUMPS OF UP TO 122 CM

Category 4 includes the use of bikes and their components under the conditions of categories 1, 2 and 3 as well as in very rough and partially blocked terrain with steeper sections and higher speeds. Regular, moderate jumps pose no problem for experienced riders when using these bikes. Extended and regular use in bike parks and when tackling "North Shore" sections should be avoided. Due to increased stresses, these bikes should be checked for damage after every ride. Full suspension bikes with mid-level travel are typical in this category.



### CATEGORY 5: EXTREME BIKING (DOWNHILL, FREERIDE, DIRT)

Category 5 includes the use of bikes and their components under the conditions of categories 1, 2, 3 and 4 as well as in demanding, heavily blocked and extremely steep terrain, which can only be mastered by technically experienced and very well trained riders. In this category, big jumps are to be expected as well as intensive use in bike parks or on downhill tracks. With these bikes it is essential to ensure that after each ride an intensive check for possible damage is carried out. Pre-damages can lead to failure even if further stresses are significantly lower. A regular replacement of safety-relevant components should also be considered. Wearing appropriate protective gear is absolutely essential. Long travel full-suspension bikes but also dirt bikes characterize this category.

## 4. GETTING STARTED FOR YOUR FIRST RIDE AND GETTING USED TO YOUR NEW BIKE

Make yourself familiar with the drive unit, handling, brakes, shifting system and with the suspension elements of your bike away from public roads. Do not forget to wear a helmet! Only slowly increase the difficulty of the terrain or manoeuvres. The battery pack is delivered partially charged. Fully charge the battery pack before the first ride. For details, see the assembly instructions of your bike.

Requirements:

- The bike is assembled according to the assembly instructions.
- The saddle height is properly adjusted to guarantee a comfortable ride and to ensure you will get on and off the bike easily.
- All tasks from chart "Before your ride" (see „6. Before and after your ride“) have been carried out.

### DISC BRAKES:

#### 1. Break in the brake pads.

Choose a road away from public roads and brake 20 to 30 times with the front or rear brake from a speed of 30 km/h down to 5 km/h. You should brake as hard as possible without locking one of the wheels. Repeat the process for the other brake. Only then the brake can show its full braking power.

Please see the brake manufacturer's instructions for more information (see also „8.3 Further Information“).

#### 2. Check the functioning of the brakes while riding.



Normally, the rear brake is located on the right-hand side of the handlebar, and the front brake is on the left-hand side. However, if required, the brake levers can also be mounted the other way around.

If the positioning of the brake levers on your bike is new and unfamiliar, you will have to be careful on your first rides. Make yourself familiar with the functioning and power of the brakes while riding at reduced speed.

Many brakes offer the possibility to adjust bite point and lever reach. Please see the brake manufacturer's instructions for more information (see also „8.3 Further Information“).

## // USER MANUAL

### CLIPLESS PEDALS:

3. Start practicing getting in and out of the pedals with one foot on the ground or when leaned against a wall. Only practice clipping in and out while riding after you have safely mastered the procedure while standing.

The release tension of the engagement system is adjustable. Please see the pedal manufacturer's instructions for more information.

### SHIFTING SYSTEM:

4. Shift through all gears while riding at reduced speed and choose the right gear.

→ You can shift into all gears.

→ In the highest and lowest gear, the limit screws don't allow the chain to drop off the cassette.

## 5. GUARANTEE / CRASH REPLACEMENT

### 5.1 GUARANTEE

Beyond the legal warranty obligation, we voluntarily grant an additional guarantee of 3 years for aluminium frames and 5 years for carbon frames from the date of sale on our bicycle frames (from model year 2016). The statutory warranty remains unaffected. Any contradictory or extended national rights of the purchaser are not affected by this guarantee. The guarantee covers all PROPAIN bicycle frames. The guarantee of the components is subject to the regulations of the respective manufacturer and is not part of the guarantee conditions listed here. The voluntary guarantee is only valid for the first purchaser of the product and requires a copy of the original sales receipt. Excluded from the guarantee are the painting or anodising of the frame, stickers, bearings, any parts subject to wear.

The guarantee does not apply to damage caused by improper use or use not in accordance with the intended purpose for the respective product as described on our website. In particular, these are, for example:

- Neglect of the product (insufficient care and maintenance)
- Changes to the frame (including engraving or painting)



- Additions and conversions of additional components not expressly approved by us or replacement of the components installed by us with components of a different type upon delivery
- Use of a bike without "bike park release" in the bikepark
- Continuous use of the bike with defective, poorly adjusted or worn out bearings and suspension elements
- Use of the product with a seat post pulled out beyond the minimum insertion depth
- Overstress caused by jumps, falls or other types of stress
- Bent or torn derailleur hangers (fixing point of the rear derailleur) are subject to the effects of e.g. placing the rear derailleur on a stone or similar and therefore do not constitute a case of guarantee.

Compensation for damages or reimbursement of transport or installation costs are excluded. Furthermore, we do not bear any additional costs due to an interim model change. We reserve the right to repair the product or replace it with a successor product. In the event of a necessary replacement of the product, we will replace it in the same colour according to availability, but reserve the right to replace it in a different colour if it is not available.

## 5.2 CRASH REPLACEMENT

Our PROPAIN Crash Replacement (PCR) takes effect where a normal guarantee ends: In case of damage due to crashes. During such crashes large forces can act on the bike, destroying parts or the whole bike and making it unridable. That is why we have introduced our PCR program. It allows the first owner to purchase a new bike at low cost.

The prices and conditions of the crash replacement can be found at [www.propain-bikes.com](http://www.propain-bikes.com)

## // USER MANUAL

### 6. BEFORE AND AFTER YOUR RIDE

#### 6.1 BEFORE YOUR RIDE

To make sure your bike is safe to ride, you should carry out certain tasks before your ride. If there are any defects or flaws, you should have your bike inspected and repaired by a qualified bicycle mechanic. Never ride with a defective bike!

	TASK/CHECK	Before your first ride	Before each ride
Wheels / Tires	Lift the wheels one after the other and spin them. → The wheels must spin smoothly. → The wheels must run true, without moving up and down or from side to side. → The tires must not rub against the frame.	X	X
	Check the tire pressure. → The tire pressure should be about 2 bar. The maximum tire pressure of the wheel and of the tire used must not be exceeded (see also „6.5 Tire pressure“).	X	X
	Check the tightening torque of the thru axles. → The lever of the thru axle of the front wheel must be closed firmly! → The thru axle of the rear wheel must be tightened to 12 Nm!	X	X
	Lift the wheels one after the other and move the wheels to the side. → There must be no play.		X
	Check the freehub mechanism of the rear hub to ensure proper engagement: Sit down on your bike, pull the front brake and pedal with moderate force when standing. → The power must be transferred to the rear wheel. → The freehub must not slip.		X
	Check the tires for damages and wear. → There must be no damages. → The tires must not be worn so that the puncture protection belt or the carcass threads can be seen through the tread.		X

TASK/CHECK		Before your first ride	Before each ride
Brakes	<p>Check brake efficiency: Pull one brake lever after the other while standing and push the bike backwards and forwards. → The front and rear wheel must lock when the brake lever is pulled.</p>	X	X
	<p>Check whether the brake hoses and connections are losing brake fluid and check them for defects. → Brake fluid must not escape at the connections.</p>	X	X
	<p>Check the bite point of the brakes: Pull one brake lever after the other while standing. → The bite point must be felt around half way down the brake lever travel.</p>		X
	<p>Check the brake pads for wear. → The brake pads with a metal backing plate must be at least 0.5 mm thick.</p>		X
	<p>Check the disc rotor for wear. → Minimum thickness of brake rotors: Avid / Sram: 1.55 mm, Magura: 1.8 mm</p>		X
Components	<p>Verify the tight fit of the stem: Stand in front of the bike with the front wheel between your knees and try to turn the handlebar left and right. → It should not be possible to turn the handlebar with normal force.</p>	X	X
	<p>Check the headset for play: Stand next to your bike, pull the front brake lever and gently push the bike backwards and forwards. → No bearing play must be detectable.</p>	X	X
	<p>Make sure that all components are tight. → Tighten loose parts to the proper torque (see „8.3 Torques“). In case of doubt, contact the PROPAIN Service.</p>	X	X
	<p>Verify the tight fit of the seat post: Stand behind your bike, hold the saddle with one hand and try to turn it left and right. → It should not be possible to turn the saddle or seat post.</p>		X
	<p>Check the tight fit of the grips. → It shall not be possible to twist the grips by hand.</p>		X

## // USER MANUAL

	TASK/CHECK	Before your first ride	Before each ride
Frame	Check the frame for damages and deformation. → There must be no damages.	X	X
	Check whether all cables and hoses are in the cable clips and verify the tight fit of the clips. → All cables must fit firmly in the cable clips.		X
	Check the tightening torques of the pivot points of the rear triangle and the shock mount. → You can find the torque values in the assembly instructions of your bike.		X
Suspension fork and rear shock	Check the suspension elements for damages. → There must be no damages.	X	X
	Sit on the bike with all your cycling equipment (helmet, backpack, shoes, etc.) and take a normal riding position. → We recommend a SAG of 15% - 20% on the fork and 20% - 30% on the shock. → If necessary, change the air pressure of your suspension elements. If you have ordered a shock with steel spring you have already chosen a spring rate corresponding to your weight.	X	

## 6.2 AFTER YOUR RIDE

### CLEANING YOUR BIKE



#### DANGER

RISK OF ACCIDENT DUE TO BRAKE FAILURE OR REDUCTION OF BRAKING FORCE DUE TO DIRTY BRAKE PADS OR BRAKE ROTORS!

Brake pads and brake rotors must not come into contact with lubricating substances such as oil, grease (including skin grease), wax, silicone, Teflon etc.! Brake pads or brake contact surfaces contaminated in this way must no longer be used!

After your ride, you should clean your bike thoroughly using a soft cloth and clear water. Never use a high pressure washer! Stubborn dirt can be removed with special cleaning agents for bicycles and their components. Pay attention to the notes and recommendations for use printed on the respective cleaner. After having cleaned your bike, you must lubricate the chain (see „Chain maintenance“).

Pay particular attention to cleanliness in the area of the moving parts of the fork and the shock. Dirt in this area may cause premature wear and thus decrease the performance of your suspension elements.

### CHAIN MAINTENANCE

The bike chain is the most important part of the drivetrain system. An oily chain attracts dirt and thus accelerates wear.

Please regularly follow the steps below to ensure a long and reliable service life of your chain:

1. Clean the chain with an oil-soaked cloth.
2. Lubricate the chain using chain oil.
3. Wipe away excess oil with a dry, lint-free cloth.

## // USER MANUAL

### PARKING YOUR BIKE

Bicycles should always be protected against falling down. It is often enough to fall from a standing position onto an edge to cause permanent damage to the frame or components. See also „7. Bike transport and storage“.

#### 6.3 AFTER A CRASH



#### DANGER

##### RISK OF ACCIDENT DUE TO DAMAGED OR BROKEN COMPONENTS!

Crashes or exceptional stresses may cause unnoticed and invisible damages.

- Riding with damaged, bent or even torn parts is extremely dangerous.
- After a fall, the bike and its components must be checked by the PROPAIN service or by a qualified bicycle mechanic.
- Never fix bent parts yourself, but replace them for your own safety.

It is very hard to assess the level of damage of a carbon part. Damages cannot necessarily be seen from the outside. A scratch on the surface can indicate a delamination (a separation of the single carbon layers). Especially for lightweight bikes, it is often enough to fall down from a standing position to permanently damage frame or components. When suspecting a damage, you should always consult the PROPAIN service or a qualified bicycle mechanic.

Damages on aluminium parts are indicated by dents, cracks, deformations or discolorations. If you notice any sign of damage, the component or bike must no longer be used. When suspecting a damage, you should always consult the PROPAIN service or a qualified bicycle mechanic.

## 7. BIKE TRANSPORT AND STORAGE

### 7.1 TRANSPORT BY CAR

The best and safest way to transport your bike is by car. Here, your bike is perfectly protected from the elements and from theft. Yet there are some things you should bear in mind:

- When exposed to direct sunlight, surfaces can get very hot inside a car.
  - Do not expose the battery pack to direct sunlight. Cover the battery for protection. It's best to use a battery cover that protects the battery pack from heat and impacts.
  - Carbon parts must be covered or protected from direct sunlight.
- Carbon parts are extremely sensitive to pressure. When stacking up parts, e.g. putting wheels onto a frame, the parts must be well padded. Many manufacturers offer special wheel bags for their wheels. In this way, the wheels are perfectly protected during transport.
- If the wheels are removed, a transport lock must be fitted between the dropouts of the frame or fork and between the brake pads of the disc brake.

### 7.2 TRANSPORT ON A HITCH OR ROOF RACK

Rear bike racks with clamps for top, down or seat tube are not suitable for carbon frames. The clamping force of the clamps may damage the carbon structure. Before transporting your e-bike on a car bike rack you should remove the battery. Cover the contacts on battery pack and bicycle. Keep the battery securely inside the car during transportation and make sure it won't move around. It's best to use a battery cover that protects the battery pack from heat and impacts. Rims must be padded before fitting lashing straps or ratchet systems. When transporting several bikes on one hitch or roof rack, please make sure that there is sufficient space or padding between the bikes. If you want to transport bikes with carbon wheels on a hitch rack, please make sure that there is enough distance between the exhaust pipe and the wheel. The minimum distance is 45 cm behind the exhaust pipe and at least 20 cm on top. Please also note the instructions of the bike rack manufacturer.

### 7.3 BATTERY STORAGE

If the bike is not used for a longer period of time, switch it off with a residual battery charge of about 70%. Also make sure that the battery is not completely discharged by recharging it every 6 months. Store the battery or bikes with built-in battery indoors in a cool place (approx. 10 to 20 °C) where it is not exposed to direct sunlight or rain. At low or high storage temperatures, battery performance is reduced and the period of use is shortened.



## // USER MANUAL

### RECHARGE THE BATTERY BEFORE AND DURING STORAGE.

Charge the battery to about 70% before not using it for a longer period of time (70% charge level corresponds to 4x flashing of the LED on the battery). Check the charge level again after 6 months. If only three LEDs of the charge status display on the battery flash, then recharge the battery to about 70%. Recharge the battery at least every 3 months to prevent a deep discharge.

Note: Storing an empty battery pack for a longer period may damage the battery despite its low self-discharge and reduce the battery capacity. It is not recommended to have the battery pack permanently connected to the charger.

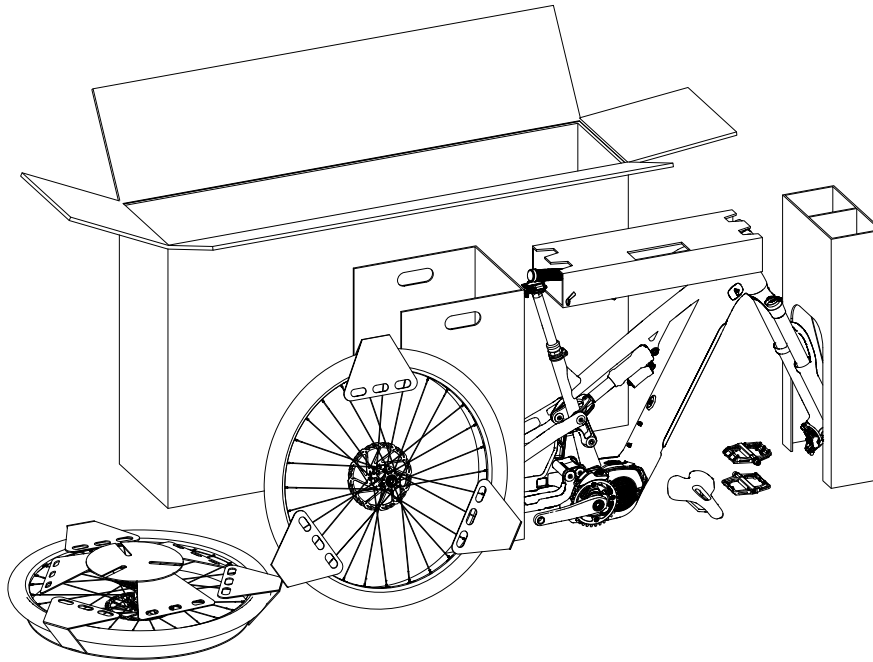
### 7.4 BIKE STORAGE

You should park your bike using an appropriate cycle stand which ideally only holds the rear wheel. Make sure to check the tire pressure when the bike has stood for a long time. You should not park your bike for longer with no air in the tires. Another alternative for the secure storage of your bike is to hang it onto a hook that is padded or covered with plastic or rubber. If you use a tubeless system, you should remove the sealant from the tire when parking your bike longer than three months. Some sealants contain ingredients that increase corrosion and could thus damage the rim.



## 7.5 BIKE SHIPPING

Depending on the size of the PROPAIN bike box, the bike can be shipped in different assembly states. Ship your bike in the same condition you've received it



## // USER MANUAL

1. Secure or cover all loose or moving parts properly. Sharp or pointed components have to be wrapped additionally to make sure they won't damage other parts of your bike and won't tear through the outer packaging.
2. Remove the front wheel for shipping and wrap the front wheel in a cardboard box.
3. Screw the thru axles into the dropouts.
4. Position the cardboard box at the rear on the drive side.
5. Protect the top tube from damages through the handlebar by using appropriate material (e.g. foam tubing).

## 8. INSPECTION AND SERVICE



### DANGER

#### RISK OF ACCIDENT DUE TO OVERDUE MAINTENANCE AND SERVICE!

When neglecting inspection and servicing, worn components may cause accidents.

- The service and inspection works and intervals mentioned in this user manual must be observed.
- Compliance with the maintenance and inspection activities and intervals is a prerequisite for maintaining warranty claims..

Only regular service and care will ensure that all parts of the bike function properly. You should carry out easy cleaning, care and inspection tasks yourself regularly (see ). The necessary service and inspection works must be carried out by PROPAIN or by a person with the necessary qualifications, depending on the service interval.

All information on inspection and service can also be found at [www.propain-bikes.com](http://www.propain-bikes.com).

## 8.1 SERVICING THE COMPONENTS

In theory, you can carry out all service works yourself. If there is any doubt about your own abilities or if you lack special tools, the work must be carried out by PROPAIN or by a qualified bicycle mechanic.

COMPONENT	TASK	INTERVAL
Complete bike	Check tightening torques of all screws. Torque values, see „8.3 Torques“.	for the first time after 100 to 300 km or 5 to 15 h* then every 1500 km or 75 h*
Frame	Visual inspection of the frame for damage such as cracks and deformations, discolouration and chafing caused by the cable housing or brake hoses.	3 months
Suspension fork and rear shock	Visual inspection for damage such as cracks and deformations as well as discoloration.	3 months
	Small service	50 h / 3 months or according to manufacturer's specifications
	Full service	200 h / annually or according to manufacturer's specifications
Headset	Disassemble, clean, grease and reassemble all parts of the headset. Replace poorly running or corroded bearings.	6 months
Seat post	Disassemble, clean the seat post and seat tube of the frame and assemble it without using lubricants. Check the tightening torque. Torque of the seat post clamp and saddle clamp, see „8.3 Torques“.	3 months

## // USER MANUAL

COMPONENT	TASK	INTERVAL
Handlebars / Stem	<p>Check the tightening torque.</p> <p>Torque values, see „8.3 Torques“.</p>	3 months
Brakes	<p>Check the wear of the brake pads.</p> <p>→ The brake pad on the metal backing plate must be at least 0.5 mm thick.</p>	regularly
	<p>Check the brake rotors for wear.</p> <p>→ Minimum thickness of the brake rotors: Sram/Avid: 1.55 mm, Magura: 1.8 mm</p>	regularly
	Bleeding the brakes / changing the brake fluid	12 months
Wheels	<p>Servicing the hub:</p> <p>under normal conditions of use</p> <p>In case of extreme operating conditions (regular rides in dust, rain, snow, or in case of frequent transport while raining)</p> <p>Maintenance activities, see manufacturer's instructions.</p>	<p>12 months</p> <p>3 months</p>
	Replace tubeless rim tape.	12 months
	<p>Check the tubeless rim tape for damages.</p> <p>The tubeless rim tape needs to be changed when</p> <ul style="list-style-type: none"> <li>the rim tape comes off the rim.</li> <li>the imprint comes off and the carrier material becomes visible.</li> <li>strong bulges at the spoke holes are visible inwards and the tape wrinkles strongly at the spoke holes.</li> </ul>	3 months
	Check the spoke tension, dish and wear of the wheel.	10 h*

COMPONENT	TASK	INTERVAL
Tires / sealing fluid	<p>Remove the tires and check them for damage and embedded foreign objects. At the same time check the tubeless rim tape, see above.</p> <p>Replace or refill sealing fluid if necessary. Remove dried sealing fluid from the tires.</p> <p>We recommend 30 ml sealing fluid per tire.</p>	3 months
Gears / drive system	<p>Check wear of the chain with a chain wear gauge.</p> <p>→ The chain must be replaced when the maximum permissible elongation is measured with the chain wear gauge.</p> <p>The chainrings and the cassette should also be replaced when replacing the second chain.</p>	for the first time after 1000 km, then regularly
	Check the adjustment of rear derailleur and front derailleur.	3 months
	<p>When using an electronic gearshift or electronically dropper seat post: Change button cells.</p> <p>Battery type: CR2032</p>	2 years or when red LED is on or blinking

\*h = operating hours For intervals with km- and h-intervals, the event that occurs first applies.



## // USER MANUAL

### 8.2 FURTHER INFORMATION

If you are sure that you have sufficient knowledge and skills, you can find all the necessary information about the above mentioned tasks on the websites of the component manufacturers. Please mind that you take responsibility for all jobs carried out by yourself and that warranty and guarantee claims expire in case of incorrect service or installation.

- SRAM / Rock Shox: [sram.com/service](http://sram.com/service)
- Magura: [www.magura.com/de/components/techcenter/](http://www.magura.com/de/components/techcenter/)
- Newmen: [www.newmen-components.de](http://www.newmen-components.de)
- Fox: [www.ridefox.com](http://www.ridefox.com)
- Sixpack: [www.sixpack-racing.com](http://www.sixpack-racing.com)
- Shimano: [www.si.shimano.com](http://www.si.shimano.com)
- Bikeyoke: [www.bikeyoke.de](http://www.bikeyoke.de)
- Stans: [www.notubes.com](http://www.notubes.com)
- Crankbrothers: [www.crankbrothers.com](http://www.crankbrothers.com)

## 8.3 TORQUES

All nuts and bolts must be tightened with an appropriate torque wrench. Proper use prevents overtightening and breaking of the bolts.

The torques indicated below are for unlubricated threads. Lubrication affects the friction coefficient, so that you need to choose a lower torque for lubricated bolts.

The following table shows all necessary torques for your bike.

COMPONENTS	MANUFACTURER, MODEL	TORQUE
seat clamp	all	see lasered torque*
seat post clamp	all	see lasered torque*
caliper mount front and rear wheel	all	6 Nm
front wheel axle	all	see manufacturer's specifications
rear wheel axle	PROPAIN	12 Nm
lockring cassette	all	40 Nm
fixing screw rear derailleur	all	10 Nm
fixing screws brake rotors	all	6.2 Nm
Lockring Center Lock brake rotors	all	40 Nm
fixing screw crank	all	see lasered torque
Pedals	all	35 Nm
Handlebar control elements	all	see lasered torque* also observe the instructions of the handlebar manufacturer!
stem handlebar clamp	all	see lasered torque*
stem steerer clamp	all	see lasered torque*
Pivot points rear end	PROPAIN	see assembly instructions
fixing screws drive unit	Shimano	10 - 12.5 Nm

## // USER MANUAL

### 8.4 REPLACEMENT OF PARTS

Not all components of your e-bike might be changed or replaced without approval. The two German associations "*Zweirad Industrie Verband*" (ZIV) and "*Verbund Service und Fahrrad*" (VSF) have agreed on a uniform guideline. This guideline defines the conditions under which e-bike components may be replaced. The document divides the e-bike components into four different categories: The following table contains all possible components of an e-bike. Although the components may not or cannot be mounted on your e-bike, they are part of the following table.

#### CATEGORY 1: COMPONENTS WHICH CAN ONLY BE REPLACED AFTER APPROVAL BY THE DRIVE SYSTEM PROVIDER OR PROPAIN

- Drive unit
- Sensors
- Electronic control unit
- Electronic cables
- Control unit on handlebar / display
- Battery pack / charger

#### CATEGORY 2: COMPONENTS WHICH CAN ONLY BE REPLACED AFTER APPROVAL BY PROPAIN BIKES

- Frame
- Rear shock
- Rigid or suspension fork
- Brake system
- Pannier rack (racks directly affect the load distribution on a bicycle. Both negative and positive changes result in a different riding behaviour than the one originally intended by the manufacturer.)



## CATEGORY 3: COMPONENTS WHICH CAN ONLY BE REPLACED AFTER APPROVAL BY PROPAIN OR THE COMPONENT MANUFACTURER

- Crank (provided that the distance between crank – centre of the frame (Q factor) is observed)
- Wheel (provided that the ETRTO is observed)
- Chain/belt (provided that the original width is observed)
- Rim tape (rim tape and rim must be compatible with each other. Modified combinations may result in rim tape shifting and thus in defective inner tubes.)
- Tyres (stronger acceleration, additional weight and more dynamic cornering require the use of tyres approved for e-bike use. It is important to observe the ETRTO.)
- Brake cables/brake hoses
- Brake pads
- Handlebar and stem (provided that there is no need to change the length of cables and/or hoses.)
- Saddle and seat post (provided that the offset to the rear does not exceed 20 mm compared to the original saddle/seat post combination. A modified load distribution beyond the intended adjustment range may possibly lead to critical steering properties. The length of the saddle rails and the shape of the saddle are also important.)
- Headlight (headlights are designed for a specific voltage which must be compatible with the battery pack of the respective e-bike. In addition, the electromagnetic compatibility (EMC) must be guaranteed, whereas the headlight may be responsible for a part of the potential disturbance.)



## // USER MANUAL

### CATEGORY 4: COMPONENTS WHICH CAN BE REPLACED WITHOUT APPROVAL

- Headset
- Bottom bracket
- Pedals (provided that the pedals are not wider than the series/original pedals)
- Front and rear derailleur (all shifting components must be suitable with the number of gears and compatible with each other)
- Shifter/twist shifter
- Shift cables and housings
- Chainrings/cassette (provided that number of teeth and diameter are identical to the original)
- Spokes
- Inner tube (with identical design and identical valve)
- Rear light, reflector, spoke reflectors
- Kickstand
- Grips with screw clamp
- Bell





// NOTES

// NOTES



FR

***PROPAIN***



CUSTOM HANDCRAFTED  
MOUNTAIN BIKES

## // DÉCLARATION DE CONFORMITÉ CE EN VERTU DE LA DIRECTIVE UE 2006/42/CE « MACHINES »

**Propain Bicycles GmbH**

**Schachenstraße 39**

**88267 Vogt**

**Directeur général Robert Krauss / David Assfalg**

**Téléphone : 0751 201802-22**

**Email : info@propain-bikes.com**

**Référence du produit :** Propain Ekano 165 & 150 - EPAC-Mountainbike

**Numéro de cadre :** Size-Year-Month-Model-001->999 \*

**Numéro de produit :** 000871-AD

**Année de fabrication :** 2019

**Millésime :** 2020

**Désignation / numéro de produit - Batterie :** Shimano Steps 8035 / KBTE8035A

**Désignation / numéro de produit - Moteur :** Shimano EP8 / DU-EP800

**Désignation / numéro de produit - Chargeur :** Shimano / K-ECE60001X

\*

**Taille :** SM, MD, LG, XL

**Année :** 19, 20, 21 etc.

**Mois :** 01, 02, 03 etc.

**Modèle :** E = Ekano

001 -> 999 numéros consécutifs

**Nous certifions que les produits désignés ci-dessus répondent aux exigences des directives européennes suivantes :**

Directive 2006/42/CE « Machines »

Directive 2014/30/UE « Compatibilité électromagnétique (CEM) »

Directive 2014/35/UE « Basse Tension »

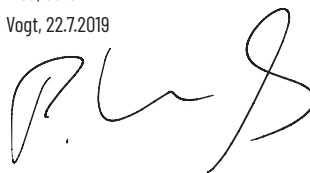
DIN EN ISO 12100:2010 Evaluation des risques

EN ISO 4210:2014 et :2015

EN 15194:2017

Lieu, date

Vogt, 22.7.2019



Signature du Directeur général

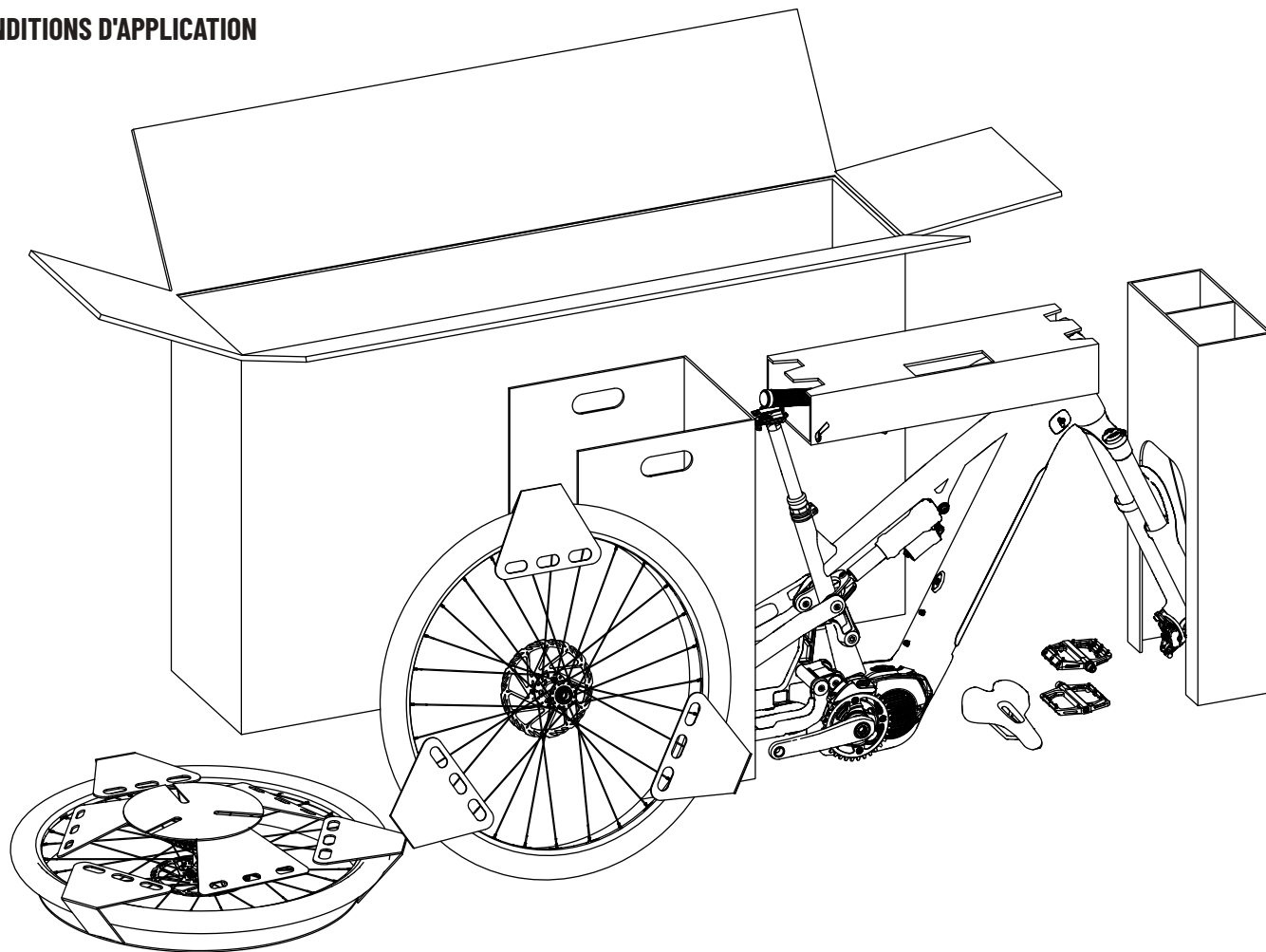
Dipl. Ing. Robert Krauss



Signature Responsable Documentation CE

BEng Florian Gärtner

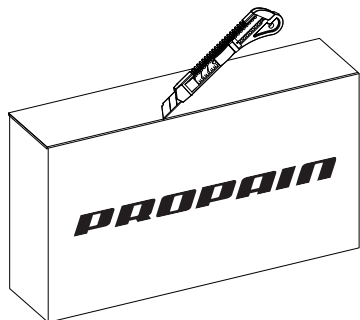
// CONDITIONS D'APPLICATION





## // DÉBALLAGE

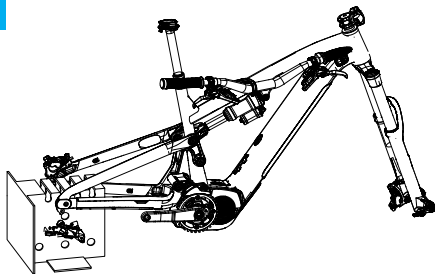
1



Ouvrez soigneusement le carton d'emballage sur son côté supérieur.

- Vérifiez bien que les composants n'ont pas subi de dommage !

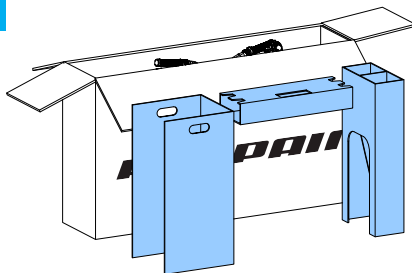
4



Sortez maintenant soigneusement le vélo du carton.

- Faites bien attention au guidon, à la fourche de suspension et au dérailleur arrière. Pour la suite de l'assemblage, fixez le vélo sur un pied d'atelier ou placez-le au sol dans la fixation de triangle arrière.

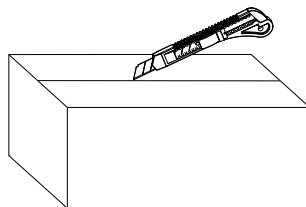
2



Retirez la fixation du guidon, du triangle arrière et de la fourche.

- Lors du retrait, veillez à extraire soigneusement le guidon de sa fixation. Vous éviterez ainsi d'endommager la peinture avec le guidon.

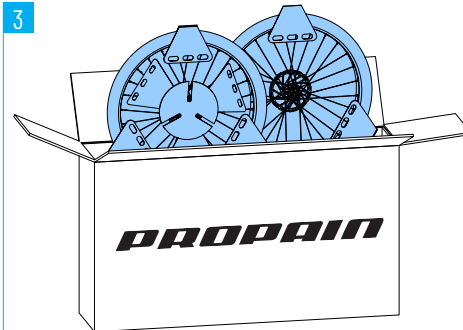
5



Ouvrez le carton à petites pièces.

- Les pédales, la selle, la clé dynamométrique, les petites pièces ainsi que les vêtements/marchandises éventuellement achetés en même temps que le vélo se trouvent dans ce carton.
- Voir page suivante pour les instructions d'utilisation de la clé dynamométrique.

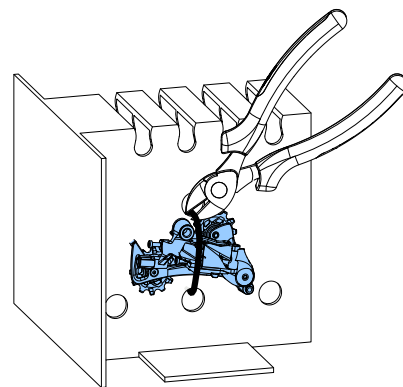
3



Sortez soigneusement les deux roues.

- Soyez particulièrement vigilants lors de cette étape afin d'éviter tout dégât.

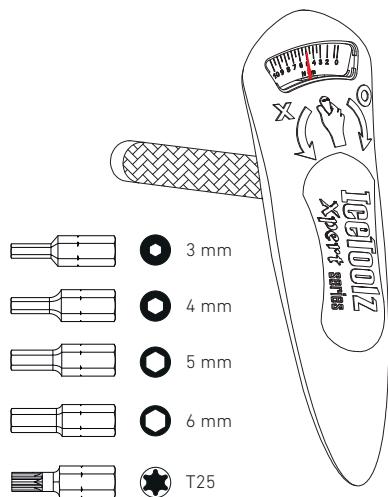
6



Libérez le dérailleur arrière de la fixation de triangle arrière.

## // UTILISATION DE LA CLÉ DYNAMOMÉTRIQUE

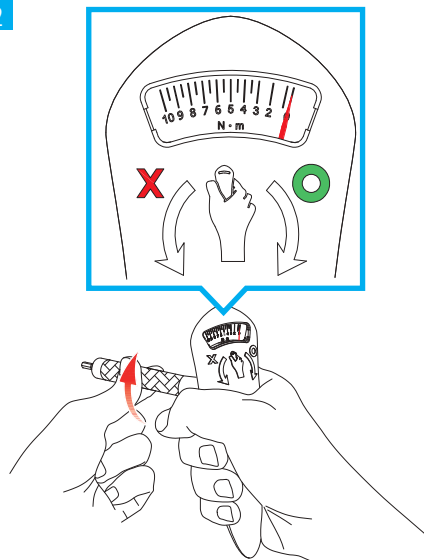
1



Cinq embouts différents sont fournis dans le manche de la clé dynamométrique :

- Embout hexagonal 3 mm
- Embout hexagonal 4 mm
- Embout hexagonal 5 mm
- Embout hexagonal 6 mm
- Embout hexalobé T25

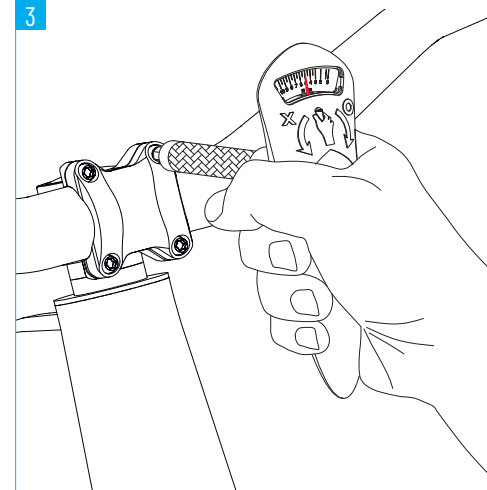
2



Réglez la position neutre de la clé :

Avant chaque utilisation de la clé dynamométrique, vérifiez que l'aiguille pointe sur le « 0 » en l'absence de contrainte. Sinon, tenez fermement la clé dynamométrique et tournez la tige dans le sens des aiguilles d'une montre jusqu'à ce que l'aiguille pointe sur « 0 ».

3

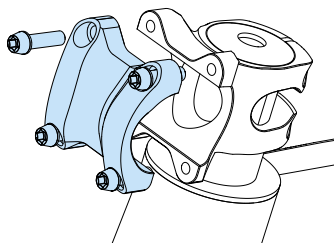


Serrez les vis au moyen de la clé dynamométrique :

1. Insérez l'embout respectif dans la tige de la clé dynamométrique.
2. Réglez la position neutre de la clé.
3. Tournez la vis dans le sens des aiguilles d'une montre jusqu'à ce que l'aiguille atteigne la valeur de couple souhaitée sur l'échelle.
  - Seules les vis avec un pas à droite peuvent être utilisées avec cette clé.
  - La clé dynamométrique couvre une plage de 0 à 10 Nm. Ne pas utiliser cette clé dynamométrique pour des valeurs de couple plus élevées !

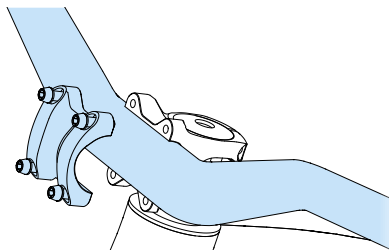
## // MONTAGE DU GUIDON

1



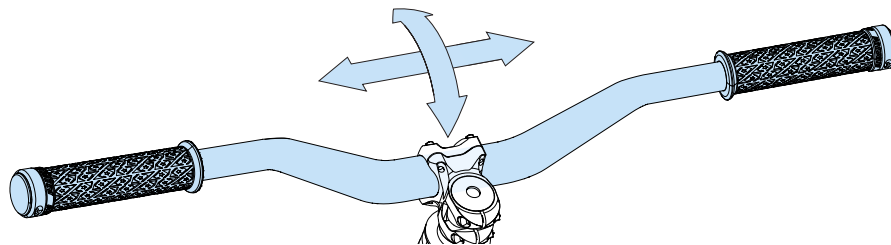
1. Desserrez les vis du collier de serrage de la potence.
2. Retirez le collier de serrage du guidon et les vis.

2



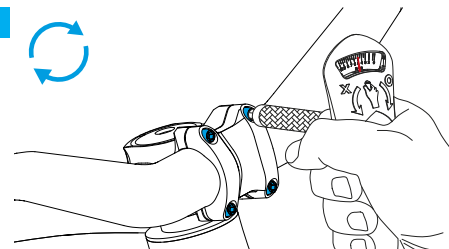
1. Mettez en place le guidon sur la potence.
2. Mettez en place le collier de serrage du guidon et tournez manuellement les vis sur quelques tours.

3



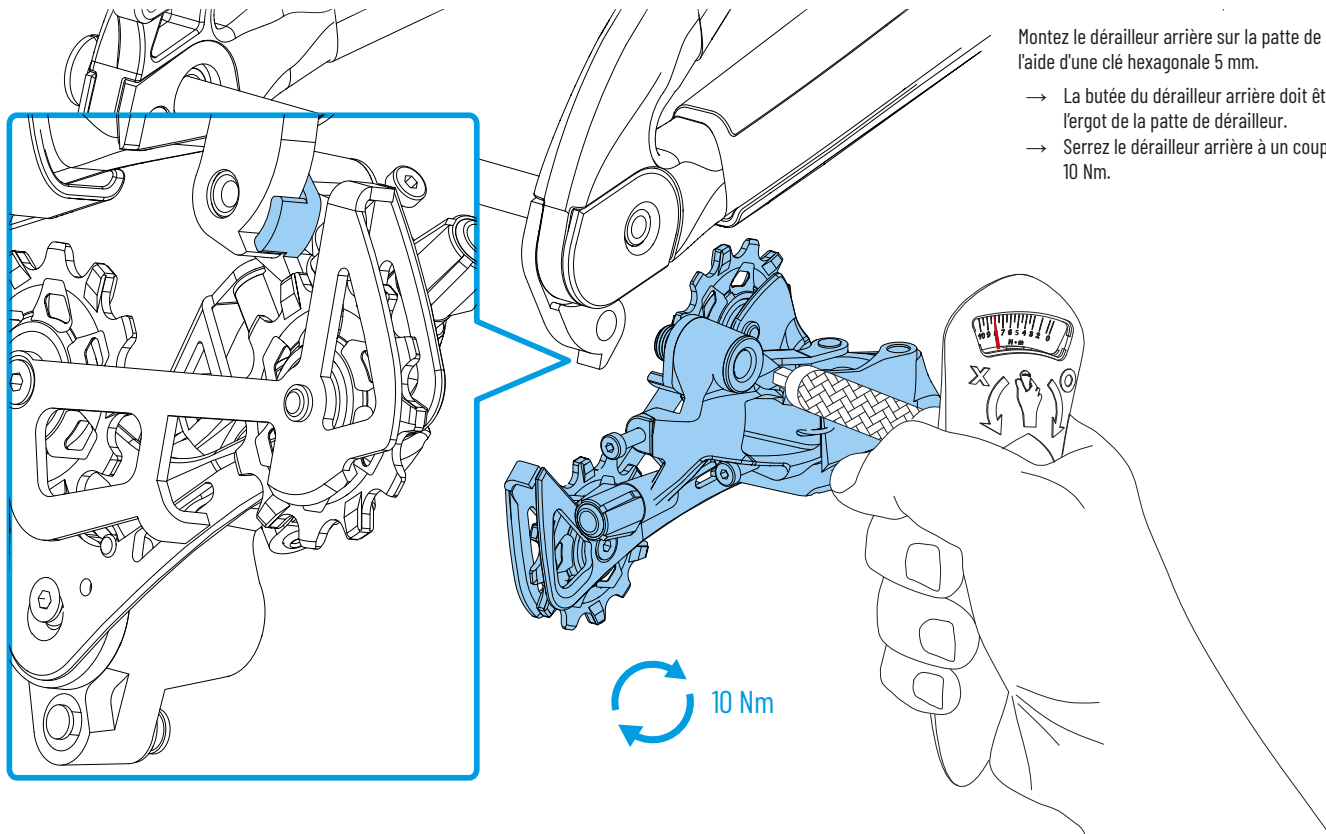
1. Centrez le guidon et ajustez son inclinaison selon vos préférences.
2. Ajustez le levier de frein et la manette de changement de vitesse à l'inclinaison du guidon.

4



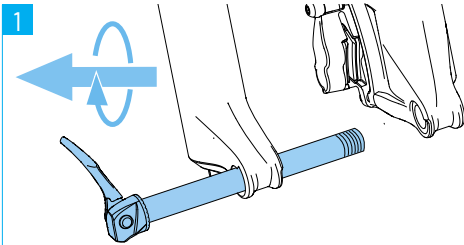
1. Vissez les deux vis de serrage supérieures et serrez-les au couple de serrage gravé au laser sur le collier ou la potence.
2. Vissez les deux vis de serrage inférieures et serrez-les au couple de serrage gravé au laser sur le collier.

## // MONTAGE DU DÉRAILLEUR ARRIÈRE

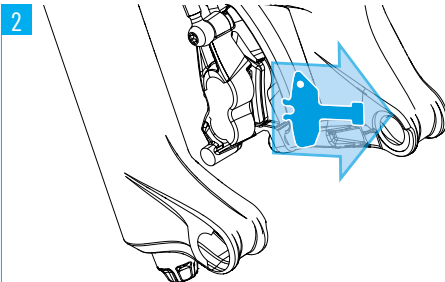


## // MONTAGE DE LA ROUE AVANT

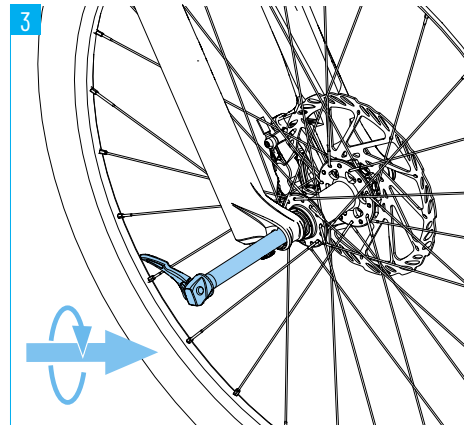
Selon le constructeur de la fourche de suspension, l'axe de roue doit être enfilé de la droite ou de la gauche à travers l'extrémité basse de la fourche.



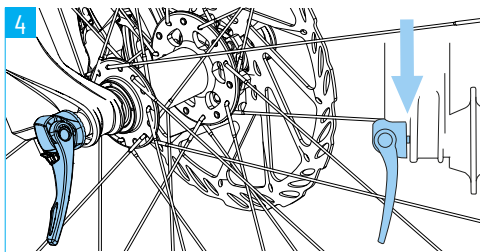
Retirez de la fourche l'axe de roue.



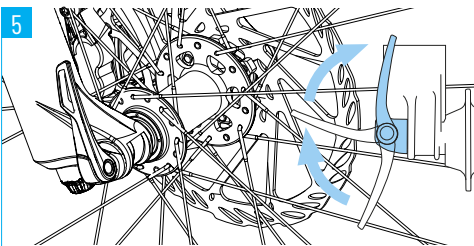
1. Retirez aussi le système de sécurité de transport entre les patins ou plaquettes de frein.
2. Gardez le système de sécurité pour un éventuel transport de votre vélo à un moment donné.



1. Passez la roue dans les pattes d'extrémité de la fourche de suspension. Le disque de frein doit alors être enfilé entre les plaquettes de frein.
2. Faites passer le levier de l'axe de roue en position ouverte et introduisez l'axe de roue du côté de la cassette (à droite dans le sens de la marche) dans les pattes d'extrémité de la fourche et dans le moyeu de la roue.

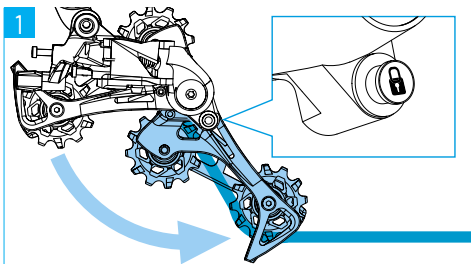



Vissez l'axe de roue dans le filetage de la patte de fourche jusqu'à ce que seul un petit interstice soit visible entre l'axe de roue et la patte de fourche.



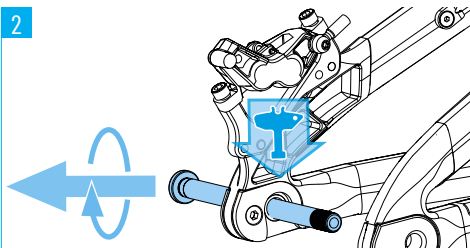
1. Rabattez le levier de l'axe de roue.
2. Il ne faut pas qu'il y ait encore un interstice entre l'axe de roue et la patte de fourche.
  - La fermeture du levier nécessite d'appliquer une pression manuelle croissante jusqu'à ce que le levier soit complètement rabattu. Pour accroître la tension, rouvrez le levier et tournez-le dans le sens des aiguilles d'une montre. Refermez-le ensuite et vérifiez la tension à nouveau. Répétez cette procédure jusqu'à ce que la tension soit bonne puis rabattez le levier.

## // MONTAGE DE LA ROUE ARRIÈRE

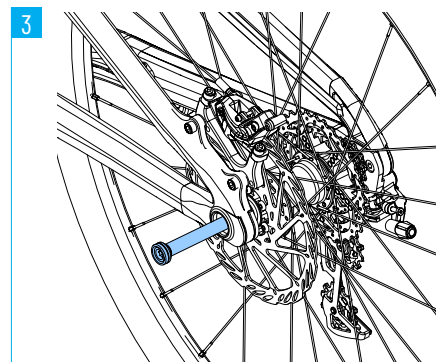


Activez la fonction Cage Lock. Pour ce faire, tirez la chappe du dérailleur arrière vers l'avant et appuyez sur le bouton Cage Lock de symbole .

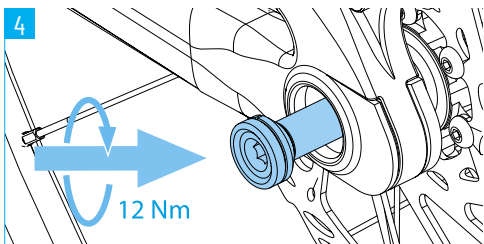
→ La chappe du dérailleur arrière reste en position inclinée vers l'avant lorsque la fonction Cage Lock est activée. La mise en place de la roue arrière est ainsi facilitée.



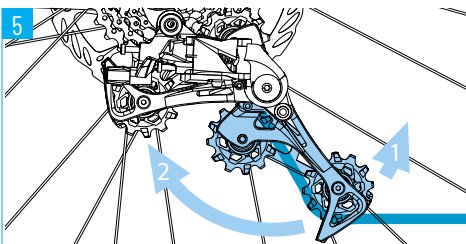
1. Retirez du cadre l'axe de roue.
2. Retirez aussi le système de sécurité de transport entre les patins ou plaquettes de frein.
3. Gardez le système de sécurité pour un éventuel transport de votre vélo à un moment donné.



1. Mettez la roue arrière en place dans les pattes d'extrémité du cadre.
  - Le disque de frein doit alors être enfilé entre les plaquettes de frein.
  - Placez la chaîne sur le plus petit pignon de la cassette.
2. Introduisez l'axe de roue dans les pattes d'extrémité de la fourche et dans le moyeu de la roue du côté frein (à gauche dans le sens de la marche).

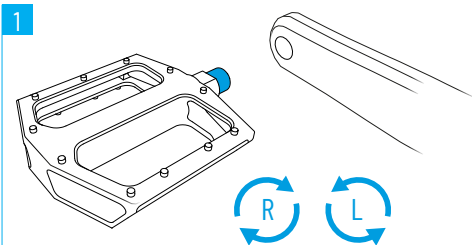


Faites tourner l'axe de roue à l'aide d'une clé hexagonale 6 mm dans les pattes d'extrémité et serrez l'axe de roue à un couple de 12 Nm.



Désactivez la fonction Cage Lock. Pour ce faire, tirez la chappe du dérailleur arrière légèrement vers l'avant et laissez prudemment le dérailleur arrière revenir à sa position d'origine.

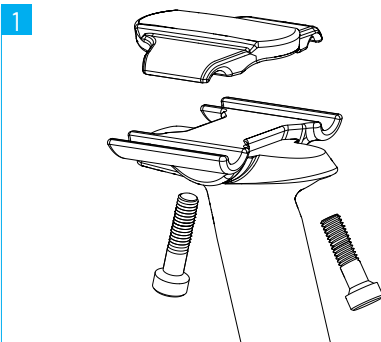
## // MONTAGE DES PÉDALES



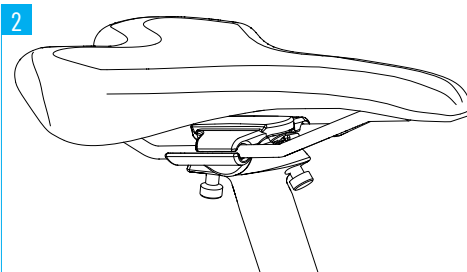
L'une de vos pédales possède un filetage à droite et l'autre un filetage à gauche. Le côté de montage des pédales est généralement identifié par la lettre « L » (gauche) ou « R » (droite). La pédale gauche de certaines pédales est marquée par une rainure dans l'axe.

1. Graissez légèrement le filetage de la pédale.
2. Faites tourner la pédale gauche dans le filetage de la manivelle gauche dans le sens inverse des aiguilles d'une montre et serrez-la avec une clé dynamométrique à un couple de serrage de 35 Nm.
3. Faites tourner la pédale droite dans le filetage de la manivelle droite dans le sens des aiguilles d'une montre et serrez-la avec une clé dynamométrique à un couple de serrage de 35 Nm.

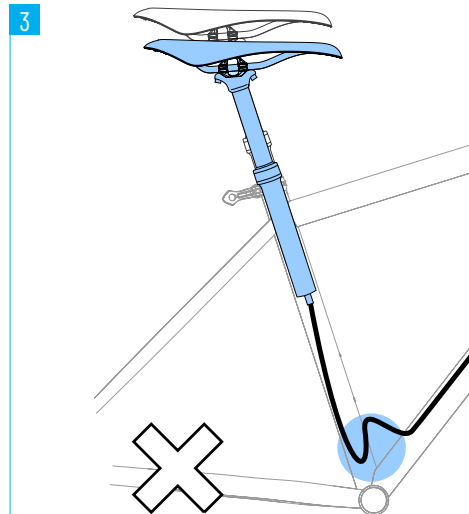
## // MONTAGE DE LA SELLE



Retirez les vis du collier de serrage de la selle et ôtez le collier supérieur.



1. Fixez le collier de serrage supérieur aux tringles de la selle.
2. Orientez la selle selon vos préférences et resserrez les vis de fixation.



Réglage de la hauteur d'assise :

Attention : Lors du réglage de la hauteur d'assise, le câble doit accompagner la tige de selle. Dans le cas contraire, le câble peut se tordre et être endommagé.

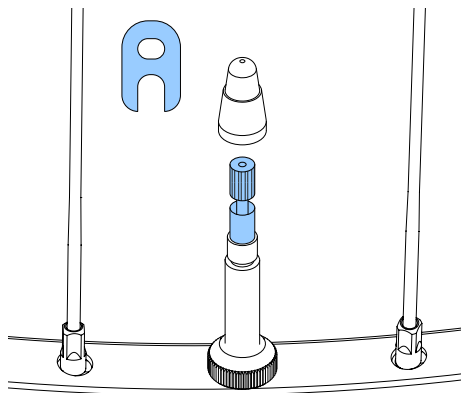
1. Ouvrez le collier de serrage de la selle.
2. Faites prudemment et lentement coulisser la tige de selle dans le cadre, dans un sens ou dans l'autre. Le câble doit accompagner simultanément le mouvement de la tige de selle au niveau de l'ouverture dans le cadre (le pousser ou le tirer).
3. Fermez le collier de serrage de la selle.

## // GONFLER LES PNEUS

Si vous avez commandé votre vélo sans l'option Tubeless Setup, gonflez les pneus à une pression d'environ 2 bars.

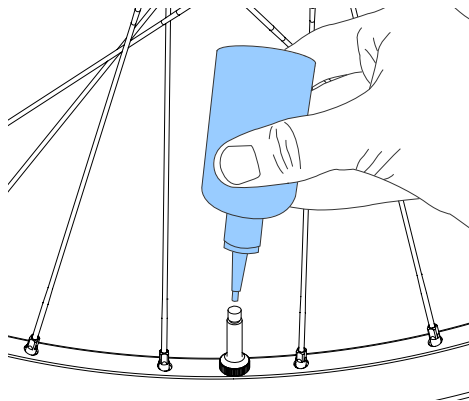
Si votre vélo dispose de l'option Tubeless Setup, avant la première sortie, introduisez dans les deux pneus le liquide d'étanchéité fourni.

1



1. Faites sortir l'air complètement du pneu.
2. Dévissez le bouchon de valve.
3. Dévissez l'insert de valve et extrayez-le de la valve à l'aide de la clé de valve fournie.

2



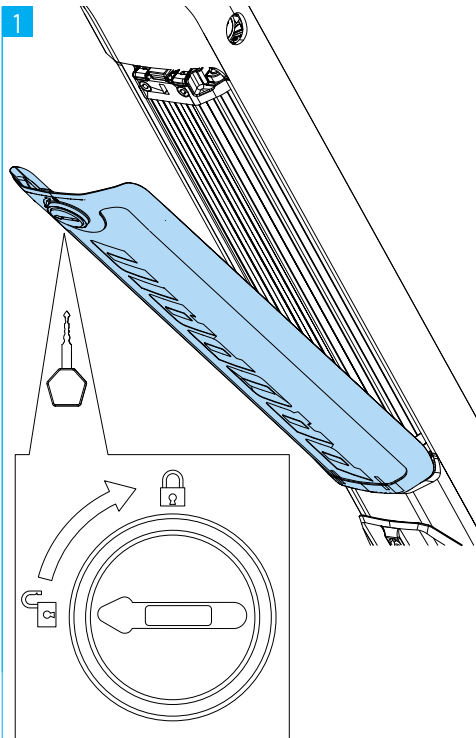
1. Agitez pendant environ une minute le liquide d'étanchéité fourni.
2. Introduisez le liquide d'étanchéité dans le pneu par la valve. Il convient d'utiliser environ 60 ml de liquide d'étanchéité par pneu.
3. Faites tourner l'insert de valve dans la valve à l'aide de la clé de valve et serrez l'insert de valve à la main.

3

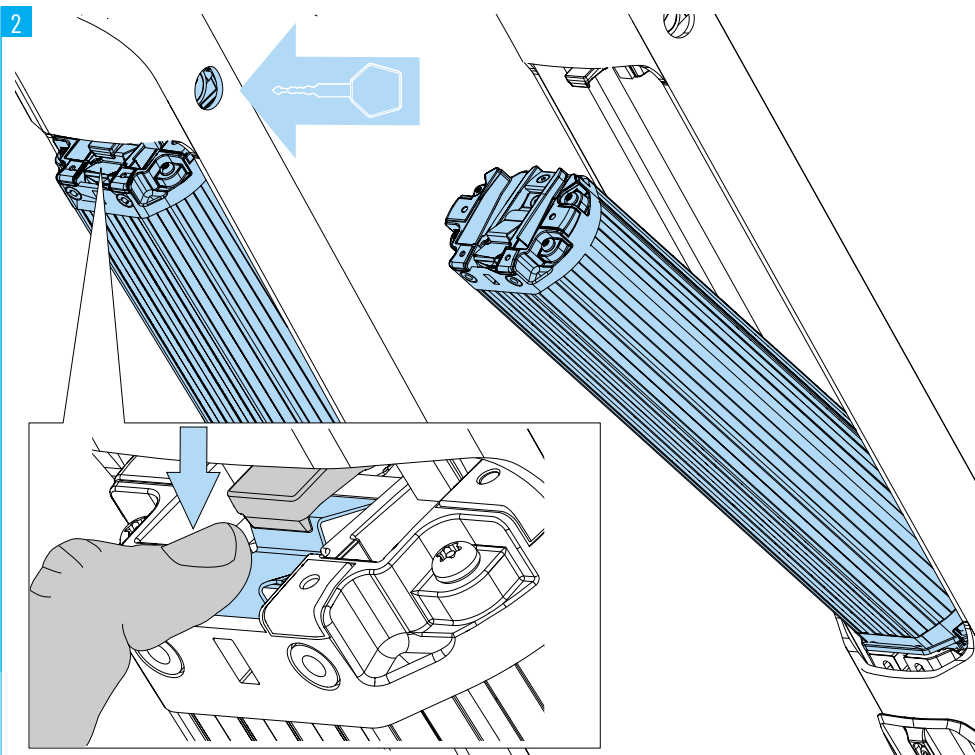
1. Gonflez le pneu à environ 2 bars.
2. Assurez-vous du bon positionnement du pneu.
  - Sur toute la circonférence, le pneu doit reposer de manière uniforme sur la jante. Si ce n'est pas le cas, évacuer l'air, enfoncer le pneu au centre de la base de la jante et répéter la procédure.
  - En cas de doute, faire vérifier la fixation du pneu par un spécialiste !
3. Faites tourner lentement la roue en l'agitant pour répartir le liquide d'étanchéité sur toute la surface intérieure du pneu.
4. Une fois que le pneu est étanche, évacuer de l'air pour atteindre la pression souhaitée.
5. Revissez le bouchon de valve.
6. Effectuez un bref parcours test et vérifiez régulièrement la pression des pneus.



## // RETRAIT DE LA BATTERIE

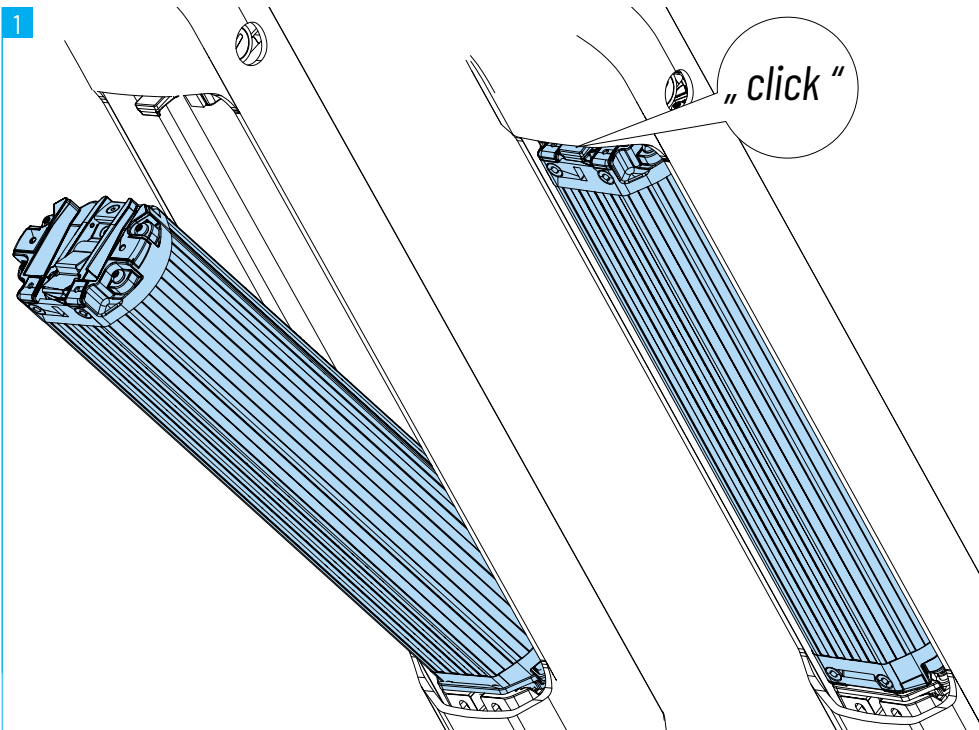


1. Placez la clé dans la serrure du capot et faites-la tourner dans le sens inverse des aiguilles d'une montre.
2. Faites pivoter le capot vers le bas et retirez-le.

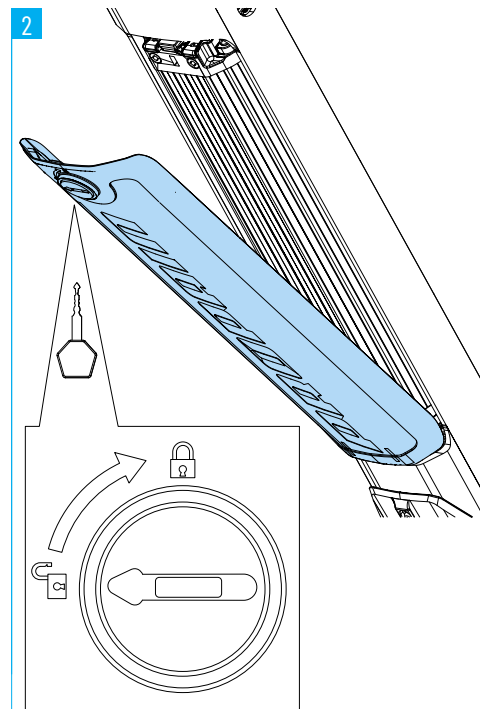


1. Placez la clé dans la serrure de la batterie et faites-la tourner dans le sens des aiguilles d'une montre.  
→ La batterie descend jusqu'au verrouillage en position de retrait.
2. Tenez fermement la batterie, appuyez manuellement sur le dispositif de déverrouillage, faites pivoter la batterie vers le bas et retirez-la.

## // INSTALLATION DE LA BATTERIE



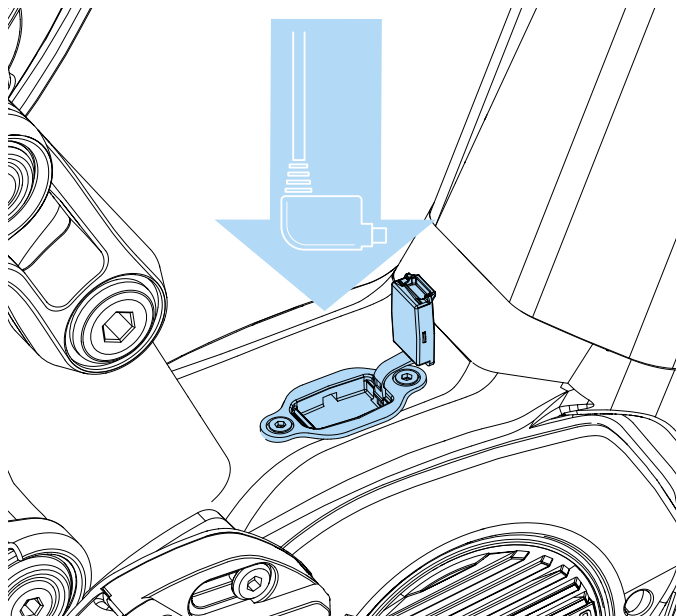
1. Placez l'extrémité inférieure de la batterie sur le guide inférieur.
2. Faites pivoter la batterie vers le haut jusqu'à ce qu'elle s'enclenche dans le verrou.  
→ La batterie s'enclenche dans le verrou avec un "clic" clairement audible.
3. Vérifiez le positionnement ferme de la batterie.



1. Placez l'extrémité inférieure du capot sur le guide inférieur et faites pivoter le capot vers le haut.
2. Placez la clé dans la serrure du capot et faites-la tourner dans le sens des aiguilles d'une montre.
3. Vérifiez le positionnement ferme du capot.

## // RECHARGER LA BATTERIE

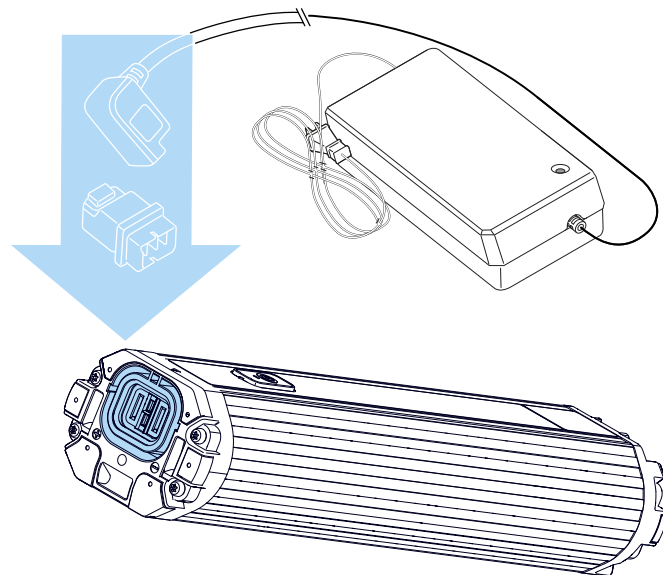
### 1 // CHARGE DE LA BATTERIE LORSQU'ELLE EST INSTALLÉE



Bien lire le mode d'emploi de la batterie avant la charge et son utilisation !

1. Soulevez le capuchon anti-poussière du raccord de charge.
2. Connectez le chargeur à la prise de charge de la batterie et raccordez le chargeur à une prise de courant.  
→ La batterie est complètement chargée lorsque la DEL du chargeur s'éteint.

### 2 // CHARGE DE LA BATTERIE LORSQU'ELLE N'EST PAS INSTALLÉE

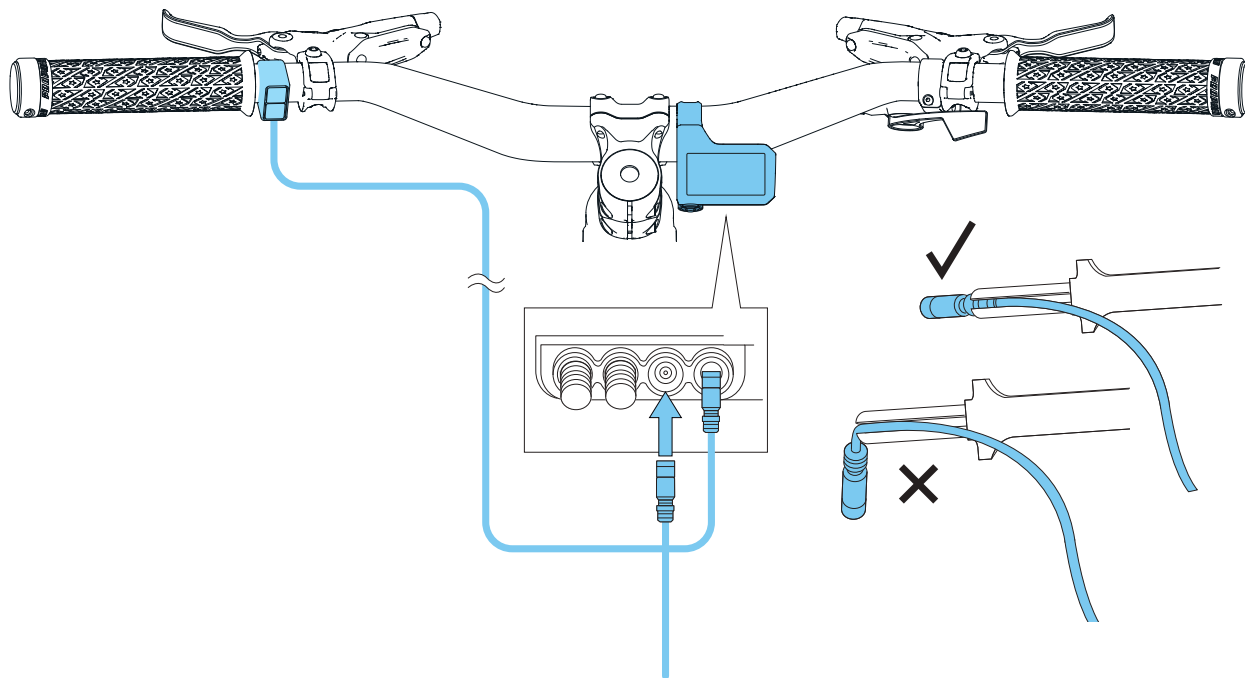


Bien lire le mode d'emploi de la batterie avant la charge et son utilisation !

1. Retirez la batterie (voir page précédente).
2. Branchez l'adaptateur dans la prise de charge de la batterie.  
L'adaptateur se trouve dans le carton, avec les autres accessoires.
3. Connectez le chargeur à la prise de l'adaptateur et raccordez le chargeur à une prise de courant.  
→ La batterie est complètement chargée lorsque la DEL du chargeur s'éteint.

## // RACCORDEMENT DE L’AFFICHAGE ET DE L’UNITÉ DE COMMANDE

1

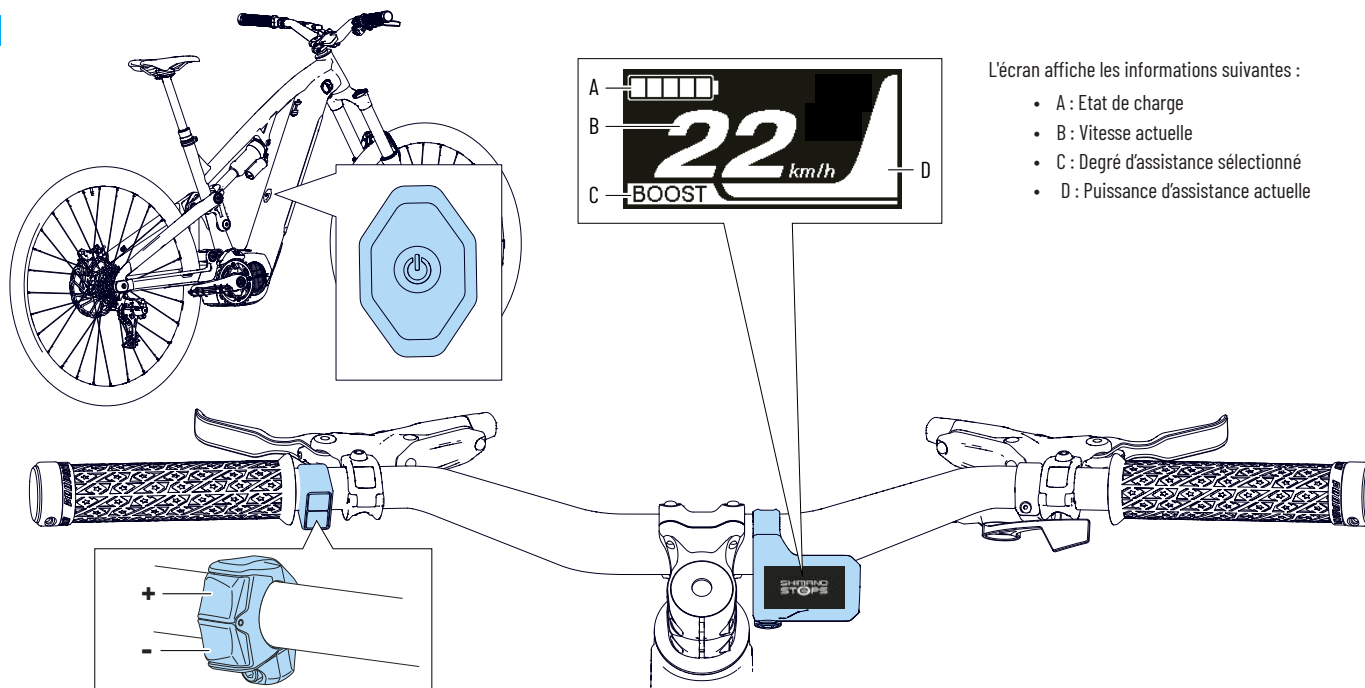


1. Munissez-vous de l'outil fourni pour le montage du connecteur.
2. A l'aide de l'outil, insérez soigneusement le connecteur du câble entre l'écran et l'unité de commande dans la fente libre du côté inférieur de l'écran.
  - Le câble ne doit pas être tordu.
  - L'enclenchement du connecteur doit se ressentir.

## // ALLUMER LE VÉLO

Avant la première utilisation, la batterie doit être connectée au chargeur pour être activée. Sans activation et charge de la batterie, vous ne pourrez pas allumer votre vélo !

1



L'écran affiche les informations suivantes :

- A : Etat de charge
- B : Vitesse actuelle
- C : Degré d'assistance sélectionné
- D : Puissance d'assistance actuelle

1. Appuyez sur le bouton ON/OFF sur le tube inférieur.
  - Après 3 secondes, le système est activé et l'affichage s'allume sur le guidon.
  - Lors de l'activation, il est impératif de ne pas appuyer sur les pédales. Le système se calibre de lui-même.
2. Utilisez l'interrupteur à bascule sur le guidon pour sélectionner le degré d'assistance. Avec la bascule supérieure, le degré d'assistance augmente ; avec la bascule inférieure, il est réduit.
  - Trois degrés d'assistance sont disponibles : ECO, TRAIL et BOOST.

## // REGLAGE DES ELEMENTS DE SUSPENSION

Votre vélo est livré avec un réglage de base des éléments de suspension. Avant la première sortie, la pression de l'air dans les éléments de suspension doit être adaptée à votre poids.

1



1. Dévissez le bouchon de valve de l'amortisseur / de la fourche de suspension.
2. Visser la pompe à amortisseur et régler l'amortisseur / la fourche de suspension à la pression souhaitée.
  - Suivez les instructions d'utilisation de la pompe à amortisseur.
  - Nous recommandons une précontrainte (SAG) de 15 à 20 % sur la fourche de suspension et de 20 à 30 % sur l'amortisseur.  
Respectez impérativement les recommandations du fabricant des éléments de suspension relatives à la pression de l'air. Les notices correspondantes sont jointes.
3. Dévisser la pompe à amortisseur et visser le bouchon de la valve.

\* La pression de l'air dans vos éléments de suspension est ajustée par le biais de ce que l'on appelle le SAG (course négative de suspension). Le SAG est la mesure qui correspond à l'enfoncement de la fourche de suspension et de l'amortisseur en fonction du poids du cycliste. Pour la détermination du SAG, asseyez-vous sur le vélo avec votre équipement complet (casque, sac à dos, chaussures, etc.) et adoptez une position de conduite normale. L'air ne peut pas s'échapper lors du dévissage de la pompe à amortisseur.

## // AVANT LA PREMIERE SORTIE

### 1 RÉGLEMENTATION RELATIVE À L'UTILISATION



**Kategorie (siehe Anleitung) 4**  
**Category (see manual)**

---

Zulässige Gesamtmasse  
Permissible total mass  
max. **130Kg**

Anleitung vor ersten  
Gebrauch lesen!  
Read manual  
before use!

Respectez la réglementation relative à l'EKANO :

#### UTILISATION CONFORME À LA RÉGLEMENTATION

Le champ d'utilisation des vélos est subdivisé en cinq catégories - des trajets sur chaussées bitumées à l'utilisation en freeride ou en descente sportive.

L'EKANO ne doit être utilisé qu'en conformité avec les dispositions de la catégorie 4 ou inférieure.

Plus de détails dans la notice d'utilisation de votre vélo.

#### POIDS MAXIMUM AUTORISÉ

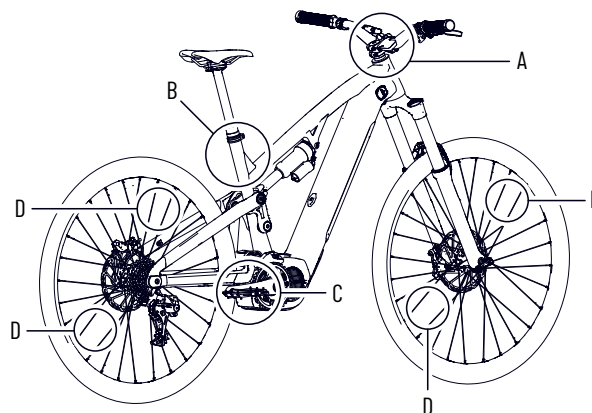
Le poids maximum autorisé (cycliste + vélo + équipement + bagages) est de 130 kg et ne doit pas être dépassé !

#### NOTICE D'UTILISATION

Outre cette notice, référez-vous au à la notice d'utilisation de votre vélo. Les informations du présent document doivent avoir été lues et approuvées !

### 2 RÉGLEMENTATION SELON LA LÉGISLATION ALLEMANDE SUR LES LICENCES ROUTIÈRES (STVZO)

Pour une utilisation de l'EKANO sur la voie publique, l'EKANO doit être équipé de feux avant et arrière, d'un réflecteur blanc visible de l'avant, d'un réflecteur rouge visible de l'arrière et de réflecteurs sur rayons. Lorsque les pédales sont installées en deuxième monte, assurez-vous qu'elles sont bien dotées de réflecteurs jaunes à la fois à l'avant et à l'arrière. Veuillez vous renseigner d'avance sur les règlements valables dans le pays où vous faites du vélo.



Pos.	Désignation	Remarques particulières
A	Feu avant et réflecteur blanc	Les feux avant et arrière ainsi que les réflecteurs doivent être installés au crépuscule, dans l'obscurité ou lorsque les conditions de visibilité l'exigent. Les feux et les réflecteurs doivent être solidement fixés pendant le fonctionnement et protégés contre tout dérèglement intempêtif en conditions de fonctionnement normales. Ils doivent être opérationnels en permanence. Le feu avant doit être réglé de manière à ne pas aveugler les autres usagers de la route. Les feux et réflecteurs ne doivent pas être couverts.
B	Feu arrière et réflecteur rouge	
C	Réflecteurs de pédales	Les deux pédales doivent disposer de réflecteurs jaunes à l'avant et à l'arrière.
D	Réflecteurs de rayons	Les roues avant et arrière doivent disposer chacune de deux réflecteurs de rayons.

## // AVANT LA PREMIERE SORTIE

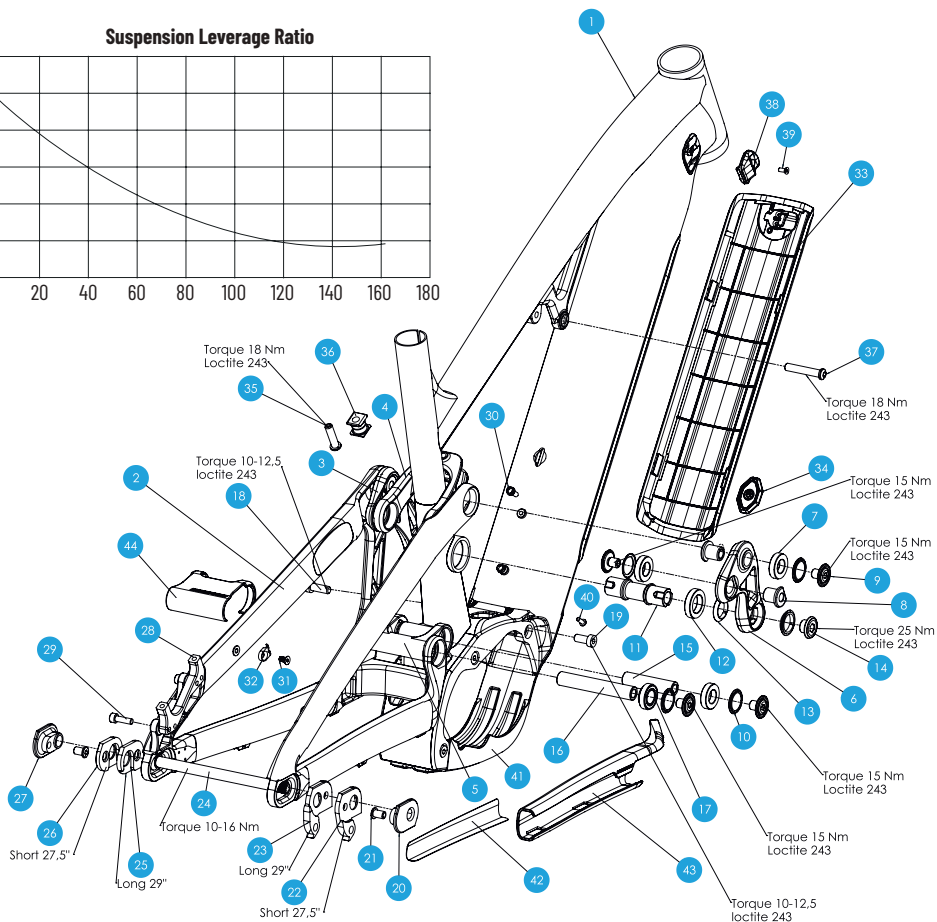
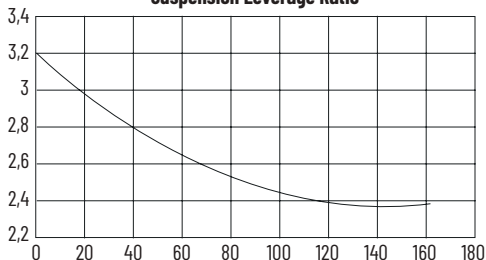
Avant votre première sortie, vérifiez toutes les fonctions de base de votre vélo afin de parer aux erreurs de montage ou aux dommages dus au transport. Si votre vélo présente des défauts ou dysfonctionnements, adressez-vous à un mécanicien deux-roues diplômé pour sa révision et la prise en charge des défauts. Ne roulez jamais sur un vélo défectueux ou qui présente des défauts !

<b>ROUES / PNEUS</b>	Soulevez la roue avant et la roue arrière l'une après l'autre et faites-les tourner. <ul style="list-style-type: none"><li>→ Il faut que les roues tournent impeccablement.</li><li>→ Il faut que les roues tournent tout droit et qu'elles ne soient pas voilées.</li><li>→ Il faut que les pneus n'entrent à aucun endroit en contact avec le cadre.</li></ul>
	Vérification de la pression de gonflage. <ul style="list-style-type: none"><li>→ La pression de gonflage doit être d'environ 2 bar. Ne pas dépasser les pressions maximales prescrites pour la roue et le pneu utilisé.</li></ul>
	Vérifier le couple de serrage des axes de roue. <ul style="list-style-type: none"><li>→ Le levier de l'axe de roue de la roue avant doit être serré fermement !</li><li>→ L'axe de roue de la roue arrière doit être serré avec 12 Nm !</li></ul>
<b>COMPOSANTS</b>	Vérifiez le serrage de la potence : placez-vous devant le vélo, coincez la roue avant entre les genoux et essayez de tourner le guidon. <ul style="list-style-type: none"><li>→ Il ne faut pas que le guidon tourne sans forcer anormalement.</li></ul>
	Vérifiez si vous ressentez du jeu au niveau du jeu de direction : Debout à côté du vélo, actionnez le levier de frein avant et poussez légèrement le vélo vers l'avant et vers l'arrière. <ul style="list-style-type: none"><li>→ Il ne faut pas que vous notiez du jeu dans les roulements.</li></ul>
	Vérifiez le serrage de tous les composants et éléments attachés au vélo. <ul style="list-style-type: none"><li>→ Les composants et éléments desserrés doivent être resserrés en respectant les couples prescrits. En cas de doute, contactez le service client Propain.</li></ul>
<b>CADRE</b>	Vérifiez l'éventuelle présence de dommages et déformations sur le cadre. <ul style="list-style-type: none"><li>→ Celui-ci doit être exempt de tels défauts.</li></ul>
<b>FOURCHE DE SUSPENSION / AMORTISSEUR</b>	Asseyez-vous sur le vélo avec votre équipement complet (casque, sac à dos, chaussures, etc.) et adoptez une position de conduite normale. <ul style="list-style-type: none"><li>→ Nous recommandons un SAG de 15 à 20 % à la fourche de suspension et de 20 à 30 % à l'amortisseur.</li><li>→ Si nécessaire, changez la pression des suspensions. Pour un amortisseur avec ressort en acier, vous avez déjà choisi la dureté du ressort correspondant à votre poids lors de la commande. Plus de détails dans la notice d'utilisation de votre vélo.</li></ul>
<b>FREIN</b>	Vérifier l'efficacité des freins : Debout à côté du vélo, actionnez les manettes de frein l'une après l'autre et bougez le vélo vers l'avant et vers l'arrière. <ul style="list-style-type: none"><li>→ La roue avant ainsi que la roue arrière doivent se bloquer lorsque le levier de frein reste actionné.</li></ul>
	Vérifiez les conduites de frein et connecteurs quant à d'éventuelles fuites de liquide de frein ou autres défauts. <ul style="list-style-type: none"><li>→ Le liquide de frein ne doit pas fuir au niveau des connecteurs.</li></ul>
	Rodez les plaquettes de frein. Pour ce faire, sélectionnez une voie à l'écart de la circulation routière et actionnez chaque frein 20 à 30 fois pour ralentir de 30 km/h à 5 km/h. Freinez aussi fort que possible mais sans que l'une ou l'autre roue bloque. Ensuite, répétez l'opération avec le deuxième frein. Les freins ne pourront déployer tout leur potentiel qu'après rodage.



## // SPÉCIFICATIONS TECHNIQUES

Suspension Leverage Ratio



## EKANO - Standards

Maximun fork length	170mm
Shock length	230 mm
Shock travel	57,5 / 62,5 mm
Shock mount top	8mm x 25mm
Shock mount bottom	Propain custom flipchip set
Rear wheel travel	150 / 165mm
Brake mount	Post mount 203
Seat post diameter	31,6mm
Head set (S.H.I.S.)	Top: ZS44 / Bottom: ZS56
Rear wheel axle	Sixpack axle (Boost)
Rear hub width	148mm (Boost)
Tire size	27,5" / 29" / Mix
Engine	Shimano E8000 series DUE8000A
Chain guide	Shimano SM-CDE80
Battery	Shimano BT-E8035
Charging port	Shimano EW-CP100
Speed sensor	Shimano SM-DUE11

NO	Propain partnumber-version	Description	QTY.
1	000874-AE	Ekano_Main_frame	1
2	000916-AE	Rear_triangle	1
3	000952-AE	Lever_high_left_e-bike	1
4	000925-AG	Yoke_e-Bike	1
5	000846-AB	Lever_low_e-Bike	1
6	000952-AE	Lever_high_right_e-bike	1
7	000006-AA	Bearing_15x28x7	6
8	000879-AA	Axle_15x16,5_M10x1	4
9	000600-AB	15mm_Axle_Cap	8
10	000602-AB	Dust_cap_seal	8
11	000366-AB	Upper_lever_axle	1
12	000367-AA	Bearing_20x32x7	2
13	000368-AB	Clamp_ring	4
14	000369-AB	Axle_cap_M14x1	2
15	000848-AA	Axle_15dia_63mm_M10x1	1
16	000849-AA	Axle_15dia_92,86mm_M10x1	1
17	000176-AA	Bearing_15x28x7_flange	2
18	000971-AA	Bolt_M8x22	3
19	000972-AA	Bolt_M8x18	3
20	000508-AA	Dropout_Driveside_outer	1
21	000518-AA	Bolt_M8x0.75x12_chainring-style	2
22	000523-AA	Hanger_short	1

NO	Propain partnumber-version	Description	QTY.
23	000511-AA	Hanger_long	1
24	000926-AA	Propain_Sixpack_X12_axle	1
25	000510-AA	Dropout_Nonedriveside_inner_long	1
26	000524-AA	Dropout_Nonedriveside_inner_short	1
27	000509-AA	Dropout_Nonedriveside_outer	1
28	000516-AB	Brake_adapter_E-bike	1
29	000520-AA	Bolt_M6x20_DIN912	2
30	000733-AA	Bolt_M5x15	2
31	000236-AA	Bolt_M5x10_countersunk_DIN7991	2
32	000057-AA	Cable_guide_1	2
33	001192-AA	Battery_cover_complete	1
34	000942-AE	Swith_on-off_e-bike	1
35	000903-AA	Bolt_M8x35_custom	1
36	000950-AA	Flipship_set_e-bike	1
37	000878-AA	Bolt_M8x35_custom	1
38	000933-AA	Cable_guide_top_e-bike	2
39	000019-AA	Bolt_M4x10_countersunk	2
40	000521-AA	Bolt_M4x12_roundhead_ISO 7380-1	3
41	001089-AD	DT_&_Motor_protector_E-bike	1
42	000946-AA	Seat_stay_protector	1
43	000987-AF	chain_stay_protector	1
44	000970-AB	lever_low_protector	1

## // MANUEL D'UTILISATION

### WE BUILD THE BEST BIKE FOR YOU

Félicitations pour l'achat de votre nouveau vélo et merci pour votre confiance !

Et maintenant, passons à votre vélo ! Patience, plus que quelques étapes de montage avant de pouvoir en profiter. Prenez le temps de régler correctement votre vélo et de lire toutes les informations relatives à la sécurité dans ce manuel d'utilisation. Ainsi, vous serez plus en sécurité sur la route et, avec les bons réglages, vous vous amuserez beaucoup plus. Avec nos manuels, vous apprenez pas à pas à monter correctement votre vélo et découvrez tout ce qu'il y a à savoir pour l'utiliser. Vous serez donc familiarisé avec votre vélo en un rien de temps.

Maintenant, vous pouvez sortir votre vélo de son carton. Prévoyez un peu de place autour de vous pour effectuer le montage. Nos vélos sont pré-montés. Vous n'avez donc pas besoin de disposer d'un garage à la maison et ne devez pas non plus être un mécanicien chevronné. Vous n'y arrivez pas ? Contactez le service client par e-mail à [info@propain-bikes.com](mailto:info@propain-bikes.com) ou par téléphone au +49 (0)751 201 802 22. Nous trouverons ensemble une solution. Encore une chose : nous voulons nous assurer que vous vous amuserez avec votre vélo et profiterez de la route en toute sécurité. Si vous n'êtes pas sûrs de vous pendant le montage, contactez un professionnel. Nous déclinons toute responsabilité en cas de chutes et de blessures dues à une utilisation ou un montage incorrects.

Prêts ? Alors amusez-vous bien avec votre nouveau vélo !

P.S. : N'hésitez pas à partager vos meilleures photos avec le hashtag [#propainbicycles](#)

## 1. INFORMATIONS IMPORTANTES POUR LES PARENTS, TUTEURS LÉGAUX ET PERSONNES CHARGÉES DE LA SURVEILLANCE

Ce manuel d'utilisation couvre les vélos pour adultes, les adolescents et les enfants. Il arrive qu'un enfant utilise un vélo dont la taille est prévue pour un adulte. Toute personne chargée de la garde ou de la surveillance de l'enfant doit connaître, comprendre et respecter les points suivants.



### DANGER

#### RISQUE D'ACCIDENT DÙ À L'INSOUCIANCE ET AU MANQUE DE SENS DES RESPONSABILITÉS DE L'ENFANT !

Les enfants peuvent avoir des difficultés à évaluer le danger et ne disposent pas de l'expérience et du sens des responsabilités nécessaires pour utiliser un vélo en toute sécurité !

- Les parents, tuteurs légaux et personnes en charge sont responsables de l'utilisation en sécurité et du bon état de fonctionnement du vélo de l'enfant.
- Les points mentionnés sur cette page doivent être vérifiés avant chaque utilisation.
- En cas de doutes, consultez le service après-vente PROPAIN ou un mécanicien deux-roues diplômé.

En tant que parent, tuteur légal ou personne chargée de la surveillance, vous êtes responsables des activités et de la sécurité de l'enfant.

Les points suivants relèvent de votre responsabilité :

- Lisez ce manuel d'utilisation et expliquez à l'enfant les mises en garde ainsi que les fonctions et les instructions d'utilisation du vélo avant de le laisser partir à vélo.
- Réglez ou faites régler le vélo pour l'adapter à l'enfant.
- Assurez-vous que le vélo est toujours en bon état de fonctionnement.
- L'enfant et vous devez avoir appris à utiliser le vélo correctement et en toute sécurité, et avoir compris les risques qui peuvent découler d'une mauvaise utilisation. Le point central de la première utilisation est d'amener l'enfant à apprendre à freiner correctement et à utiliser le vélo en toute sécurité.
- L'enfant et vous devez connaître, comprendre et suivre non seulement les lois locales applicables aux véhicules à moteur, aux vélos et à la circulation sur route en générale, mais également les règles de bon sens pour faire du vélo de manière sûre et responsable.
- Assurez-vous que l'enfant porte toujours un casque de vélo adapté, mais également que l'enfant comprend que le casque est utile pour faire du vélo et doit être retiré lorsqu'il n'utilise pas son vélo. Il ne faut pas porter le casque pour jouer, aller dans des aires de jeu, utiliser des équipements d'aires de jeu, grimper aux arbres... le casque doit être retiré lorsque l'enfant n'est pas sur son vélo. Le non-respect de cette mise en garde peut provoquer des blessures ou même la mort.
- L'utilisation d'un vélo pour enfant nécessite la surveillance d'un adulte.

## // MANUEL D'UTILISATION

- L'adulte chargé de la surveillance doit observer à tout moment si l'enfant évalue correctement les situations et si le vélo est maîtrisé selon les exigences de l'environnement.
- Assurez-vous que le vélo est à la bonne taille pour l'enfant. Les deux pieds de l'enfant doivent toucher le sol lorsque l'enfant est assis sur la selle.

## 2. INFORMATIONS GÉNÉRALES

Cette notice est votre guide de référence pour l'utilisation et l'entretien avec tout le soin requis et en toute sécurité de votre vélo. Il a pour objectif de vous offrir les connaissances de base et de vous apporter des conseils utiles pendant toute la durée de vie de votre vélo. En cas de doute ou pour toute question de maintenance, faites impérativement appel à un mécanicien diplômé deux-roues ou au service après-vente PROPAIN. Veuillez lire attentivement ce manuel d'utilisation avant la première utilisation de votre vélo et assurez-vous de bien en comprendre le contenu. Assurez-vous aussi que les utilisateurs tiers ont connaissance de cette notice qu'ils en ont compris le contenu et le respectent. Conservez cette notice d'utilisation pour toute consultation ultérieure. Assurez-vous de bien fournir cette notice à l'acquéreur si vous vous séparez de votre vélo, par exemple en cas de revente.

Ce manuel est également disponible sur le site web [www.propain-bikes.com](http://www.propain-bikes.com).

### 2.1 TABLEAU DES SYMBOLES



#### DANGER

... définit une mise en danger accrue, ayant pour conséquence des blessures graves ou la mort, si elle n'est pas évitée.



#### ATTENTION

... définit une mise en danger faible, ayant pour conséquence des blessures insignifiantes à modérées, si elle n'est pas évitée.



#### NOTE

... définit une mise en danger de biens.

## 2.2 GROUPE CIBLE

Le groupe cible de ce manuel d'utilisation, c'est vous, propriétaire du vélo PROPAIN. Les prérequis nécessaires au montage et à l'entretien de votre vélo sont le savoir-faire et les connaissances techniques de base relatives aux cycles. En cas de doute, faites-vous impérativement aider par un mécanicien diplômé deux-roues. Un mauvais montage ou un mauvais entretien de votre vélo peuvent conduire à des accidents graves voire mortels !

## 2.3 CAPACITÉS DU CYCLISTE

Il est indispensable que le cycliste soit physiquement et mentalement apte à un usage du vélo sûr et prolongé, et sur de longues distances. Des cours spécifiques existent pour les débutants, novices ou pour les personnes qui reprennent la pratique cycliste après une interruption prolongée.

## 2.4 NOTICES D'UTILISATION DES FOURNISSEURS DE PIÈCES

Cette notice contient toutes les informations nécessaires à une utilisation sûre de votre vélo. En plus de cette notice, des informations produits ou notices provenant de divers fournisseurs de composants sont fournies. Référez-vous au besoin à celles-ci p. ex. pour le montage ou le réglage de certains éléments du vélo ou pour de plus amples informations produits. Les manuels d'utilisation de certains fournisseurs peuvent n'être disponibles qu'en ligne (voir aussi « 8. Révision et entretien »).

## 2.5 OUTILLAGE

Ne procédez à l'entretien de votre vélo qu'avec l'outillage approprié. Le serrage des liaisons vissées doit être effectué à l'aide d'une clé à molette à couple de serrage défini. Seul un outillage en bon état peut garantir un montage et démontage impeccable des pièces.

## 2.6 PARTICULARITÉS DU CARBONE

Les cadres en carbone ne doivent pas subir de pincement ou d'écrasement (p. ex. par la griffe d'un pied d'atelier) ni être soumis à une quelconque sorte de pression. Le vissage sur composants en carbone doit s'effectuer uniquement au couple prescrit. Les éventuels dégâts causés sur les composants en carbone ne sont pas forcément immédiatement visibles. En cas de doute, adressez-vous impérativement à un mécanicien diplômé deux-roues. Les composants en carbone ont une durée de vie limitée. Les cintres, tiges de selles, potences, pédaliers et roues en carbone doivent être remplacés à intervalles réguliers (p. ex. tous les trois ans). Une forte chaleur peut endommager durablement la structure en carbone. Les composants en carbone sont à garder à l'écart des sources de chaleur et ne pas rester dans les véhicules placés en plein soleil.

## // MANUEL D'UTILISATION

### 2.7 MONTAGE DES COMPOSANTS ET ACCESSOIRES

Les remorques ne doivent être attachées à l'axe arrière du vélo qu'à l'aide d'un dispositif spécifiquement prévu à cet effet. Les éléments d'accrochage entre la remorque et le cadre du vélo ne doivent pas être en contact avec le cadre. Aucun siège enfant ni remorque à fixer par collier de serrage sur la tige de selle ou sur le cadre ne doit être utilisé avec ce vélo. Aucun porte-bagage ne doit être fixé à la tige de selle ni au cadre du vélo. Veuillez lire la notice du fournisseur avant le montage de tout composant, accessoire, etc.

Le poids maximum du système (voir « 2.10 Poids maximum ») ne doit en aucun cas être dépassé ! Attention au poids des composants et accessoires montés !

### 2.8 PIÈCES D'USURE

Les composants figurant sur la liste ci-dessous doivent être contrôlés régulièrement et remplacés lorsque nécessaire :

- Batterie / entraînement
- Pneus et chambres à air
- Jantes
- Disques et plaquettes de frein
- Roulements (jeu de direction, boîtier de pédalier, roulements du triangle arrière, roulements des moyeux)
- Chaîne, cassette et pignons
- Cintre, potence et poignées
- Selle et tige de selle
- Graisse, lubrifiant, huile hydraulique, liquide de frein
- Câbles et gaines de dérailleur
- Fourche suspendue et amortisseur
- Autocollants et peinture

## 2.9 REMPLACEMENT DE COMPOSANTS

Cette notice a trait au vélo dans son état initial. Le remplacement de composants sur les vélos électriques est soumis à des règles spécifiques. De plus amples informations à ce sujet sont fournies au chapitre « 8.2 Remplacement de pièces ».

Le remplacement de tout composant relève de la seule responsabilité de l'utilisateur et doit être réalisé sous contrôle d'un mécanicien deux-roues diplômé ou du service après-vente PROPAIN. Les termes de la garantie peuvent évoluer en cas de remplacement de composants.

## 2.10 POIDS MAXIMUM



### DANGER

RISQUE D'ACCIDENT DÙ AU DÉPASSEMENT DU POIDS MAXIMAL DU SYSTÈME !

Le poids maximal du système s'obtient par addition du poids du cycliste, du vélo, de l'équipement (casque, sac à dos, chaussures, habillement) et des bagages. Le dépassement du poids maximal du système fragilise les composants et peut provoquer une rupture soudaine et imprévisible des composants.

LE POIDS MAXIMUM ADMISSIBLE DU SYSTÈME DES VÉLOS PROPAIN E-MTBS EST DE 130 KG !

Le poids maximum admissible ne doit en aucun cas être dépassé ! En cas de remplacement d'un composant, assurez-vous que son poids maximal admissible respectif n'est pas inférieur à celui du vélo.



## // MANUEL D'UTILISATION

### 2.11 EXONÉRATION DE RESPONSABILITÉ

Les interventions décrites dans la présente notice doivent être réalisés par des personnes disposant des connaissances techniques nécessaires. L'utilisateur porte la responsabilité des dégâts consécutifs :

- à une utilisation sortant du cadre prescrit (voir « 3.5 Utilisation conforme »)
- au non-respect des règles relatives à la sécurité
- à un assemblage, à des réparations ou à une maintenance non-conformes
- à l'utilisation de pièces de rechange ou d'accessoires non autorisés
- à la modification de la configuration du vélo

En cas de doute, faites appel à un mécanicien diplômé deux-roues ou au service après-vente PROPAIN.

## 3. SÉCURITÉ

### 3.1 SÉCURITÉ GÉNÉRALE



#### DANGER

RISQUE DE BLESSURE EN CAS D'ÉQUIPEMENT DE PROTECTION NON APPROPRIÉ !

Porter un équipement de protection efficace contribue largement à votre sécurité personnelle.

- Portez toujours un casque quand vous faites du vélo.
- Lorsque vous roulez hors route, portez des protections pour les genoux, les coudes et le dos, ainsi que des gants et un casque intégral.
- Portez également des vêtements réfléchissants, visibles plus facilement.

 **DANGER****RISQUE D'ACCIDENT EN CAS DE MONTAGE INCORRECT DES COMPOSANTS !**

Les composants mal montés peuvent se desserrer ou rompre en cours d'utilisation !

- Le montage doit être exécuté conformément aux prescriptions de ce manuel.
- En cas de doutes, consultez le service après-vente PROPAIN ou un mécanicien diplômé deux-roues.

 **DANGER****UTILISATION DE L'ORDINATEUR DE COMMANDE EN ROULANT = RISQUE D'ACCIDENT !**

La consultation de l'ordinateur de commande ou la modification des réglages vous distrait de la circulation. Un retard ou une absence de réaction peuvent causer de graves accidents !

- Avant tout saisie de données pour changer le niveau d'assistance sur l'ordinateur de bord, arrêtez-vous à l'écart de la circulation.

 **DANGER****RISQUE D'ACCIDENT DÙ À LA CAPACITÉ RÉDUITE DE FREINAGE AVEC DES PLAQUETTES NON RODÉES !**

Seul un rodage soigneux des plaquettes de frein permet aux freins à disque d'offrir leur pleine force de freinage. Rodez les freins sur une voie à l'écart de la circulation.

- Freinez 20 à 30 fois avec le frein avant ou le frein arrière pour passer de 30 km/h à 5 km/h. Répétez ensuite la procédure avec le deuxième frein. Freinez aussi fort que possible sans aller jusqu'au blocage des roues.
- Tenez également compte des indications du fabricant de vos freins (voir aussi « 8.3 Informations complémentaires »).

## // MANUEL D'UTILISATION



### DANGER

#### RISQUE D'ACCIDENT EN CAS DE DÉFAILLANCE DE COMPOSANTS FRAGILISÉS !

Une chute ou une manœuvre imprévue peuvent endommager les composants de votre vélo de manière invisible. Les composants fragilisés peuvent se déformer ou rompre au cours de vos déplacements !

- Vérifiez régulièrement l'état des composants et vérifiez bien que le vélo n'est pas endommagé ni défaillant après toute chute ou accident.
- Les composants les plus sollicités doivent être révisés régulièrement par un mécanicien diplômé deux-roues et remplacés le cas échéant. Faites remplacer les composants usés ou endommagés.



### DANGER

#### RISQUE DE BLESSURE LIÉ À L'ACTIVATION ACCIDENTELLE DU MOTEUR DU VÉLO ÉLECTRIQUE !

- Avant d'intervenir sur votre vélo électrique (révision, réparation, montage, soin, nettoyage de la chaîne, etc.), de le transporter (voiture, avion, etc.) et de le stocker, il est impératif de retirer la batterie.



### DANGER

#### TRAFIQUER LA PUISSANCE DU VÉLO OU DÉSACTIVER LE LIMITEUR DE VITESSE VOUS MET GRAVEMENT EN DANGER !

La manipulation du vélo électrique peut engager votre responsabilité civile et causer de brusques dysfonctionnements des composants sursollicités !

- Aucune modification du vélo électrique ne doit être entreprise.
- En particulier, il convient de ne pas installer de pièce visant à augmenter le rendement du vélo électrique.
- Une utilisation inappropriée de votre vélo électrique vous met en danger ainsi que les autres usagers.
- En cas d'accident lié à une modification du vélo électrique, vous vous exposez au versement de dommages et intérêts importants et pouvez engager votre responsabilité pénale.
- Les composants sont choisis pour convenir aux données de puissance d'origine du vélo électrique. Des sollicitations trop importantes peuvent provoquer la défaillance de composants sur le long terme et une réduction de la durée de vie.
- Elles peuvent en outre remettre en cause la garantie contractuelle et la garantie légale.

## 3.2 SÉCURITÉ ROUTIÈRE



### DANGER

#### RISQUE D'ACCIDENT DÙ À UN COMPORTEMENT INAPPROPRIÉ SUR ROUTE !

En tant que cycliste, vous êtes le maillon le plus faible du trafic routier. Les accidents impliquant d'autres usagers de la route ont généralement de graves conséquences pour les cyclistes !

- Respectez les règles du code de la route et tous les règlements de circulation locaux.
- Restez concentrés, anticipez et pensez à votre sécurité quand vous conduisez. Partez toujours du principe que les autres usagers de la route ne vous voient pas.
- Portez toujours un casque et des vêtements réfléchissants et bien visibles lorsque vous faites du vélo.



### DANGER

#### RISQUE D'ACCIDENT DÙ À L'ÉQUIPEMENT INAPPROPRIÉ POUR LA CIRCULATION ROUTIÈRE !

Les équipements prescrits pour les vélos destinés à être utilisés sur la voie publique sont principalement destinés à assurer la visibilité des cyclistes. Des accidents aux conséquences graves peuvent se produire si le cycliste n'est pas vu ou est vu trop tard.

- Votre vélo doit être équipé de tous les composants spécifiques au pays requis pour la circulation sur la voie publique !
- En plus du risque d'accident, le non respect des réglementations peut entraîner des amendes et la perte de la couverture d'assurance.
- Respectez les exigences légales applicables lorsque vous faites du vélo à l'étranger ou dans des zones transfrontalières.

## // MANUEL D'UTILISATION

### ALLEMAGNE

En Allemagne, les équipements nécessaires à la circulation routière publique sont réglementés dans la « Straßenverkehrs-Zulassungs-Ordnung » (StVZO). L'utilisation de votre pedelec sur la voie publique en Allemagne requiert d'installer les équipements suivants:

Désignation	Remarques particulières
Éclairage frontal blanc et réflecteur blanc	Les feux avant et arrière ainsi que les réflecteurs doivent être installés au crépuscule, dans l'obscurité ou lorsque les conditions de visibilité l'exigent. Les feux et les réflecteurs doivent être solidement fixés pendant le fonctionnement et protégés contre tout dérèglement intempestif en conditions de fonctionnement normales. Ils doivent être opérationnels en permanence.
Éclairage arrière rouge et réflecteur rouge	
Réflecteurs de pédales	Les deux pédales doivent disposer de réflecteurs jaunes à l'avant et à l'arrière.
Réflecteur de roue	Les roues avant et arrière doivent disposer chacune de deux réflecteurs de roue. Alternative : Pneus pourvus de bandes réfléchissantes ou réflecteurs disposés sur chaque rayon.

Veuillez vous renseigner d'avance sur les règlements valables dans le pays où vous faites du vélo.

### FRANCE

Le Code de la route s'applique pour des équipements obligatoires à vélo dans l'espace public en France. Il est conseillé de prévoir l'équipement ci-dessous avant de rouler dans la circulation routière avec votre vélo:

Dénomination	Autres notes
Éclairage avant	Lumière jaune ou blanche, non éblouissante.
Éclairage arrière rouge	L'éclairage arrière doit être nettement visible lorsque le vélo est utilisé. L'éclairage avant et l'éclairage arrière doivent équiper le vélo au crépuscule, la nuit ou lorsque la visibilité est insuffisante.

Réflecteur avant blanc	Il faut que le vélo soit toujours équipé de réflecteurs..
Réflecteur arrière rouge	
Réflecteurs de pédales	Les pédales doivent comporter à l'avant et à l'arrière des réflecteurs de couleur orange.
Réflecteurs latéraux	Le vélo doit être pourvu de réflecteurs de couleur orange visibles latéralement.

Le Code de la route liste d'autres exigences, non reprises ici, relatives à l'équipement des cyclistes, tel que le casque ou la veste ou le gilet de haute visibilité.

## SUISSE

En Suisse, l'équipement obligatoire sur la voie publique est définie par l' «Ordonnance concernant les exigences techniques requises pour les véhicules routiers» (OETV). L'utilisation de votre pedelec sur la voie publique en Suisse requiert d'installer les équipements suivants:

Désignation	Remarques particulières
Éclairage avant blanc ou jaune clair	Les feux avant et arrière et les réflecteurs doivent être fixés solidement sur le vélo.
	Les feux avant et arrière doivent être allumés dès que les conditions de visibilité le requièrent et doivent être visibles de nuit et par beau temps à une distance de 100 m.
Éclairage arrière rouge et réflecteur rouge	Les feux avant et arrière ne doivent pas éblouir les autres usagers et ne doivent pas clignoter.
	Le feu avant doit être réglé de manière à ne pas aveugler les autres usagers.
	Un catadioptré rouge dirigé vers l'arrière et d'une surface de réflecteur d'au moins 10 cm <sup>2</sup> doit être installé à demeure. Celui-ci doit être visible de nuit et par beau temps à une distance de 100 m à la lumière des feux de route d'un véhicule automobile.
Réflecteurs de pédales	Les pédales doivent être pourvues de catadioptrés avant et arrière avec une surface de réflecteur d'au moins 5 cm <sup>2</sup> . Cette exigence ne s'applique pas aux pédales de course, aux pédales de sécurité et analogues.

L'âge minimum légal de conduite d'un pedelec est de 14 ans. Les utilisateurs âgés de 14 à 16 ans doivent disposer d'un permis de conduire de catégorie M.

## // MANUEL D'UTILISATION

### 3.3 UTILISER LA BATTERIE EN TOUTE SÉCURITÉ

En plus de ces conseils de sécurité, il convient de respecter les règles selon « 7. Transport et stockage ».



#### DANGER

##### RISQUE DE BLESSURE PAR ÉLECTROCUTION !

- La prise du chargeur, le chargeur et le câble d'alimentation doivent être en bon état. Afin d'éviter tout dommage, ne modifiez en aucune manière le câble d'alimentation ni sa prise, éloignez-les de toute source de chaleur, ne les pliez pas, ne les tordez pas ou ne tirez pas dessus, ne placez pas d'objet lourd sur ceux-ci et ne les repliez pas trop fort sur eux-mêmes.
- La prise de courant à laquelle le chargeur est raccordé doit offrir une tension de 100 à 240 V AC et doit être équipée de fusibles électriques appropriés.
- Lors du branchement et du débranchement d'une prise de courant, tenez toujours le câble d'alimentation par sa fiche.
- Le chargeur de batterie ne doit pas être utilisé à l'étranger avec un transformateur de tension (adaptateur de voyage).



#### DANGER

##### RISQUE DE BLESSURE LIÉ AUX FUITES DE LIQUIDES OU DE VAPEURS !

Une batterie endommagée ou une utilisation non conforme de celle-ci, peut engendrer des fuites de liquides ou de gaz. Celles-ci peuvent avoir pour conséquence l'apparition d'irritations cutanées, des yeux, des voies respiratoires ou de brûlures !

- Évitez tout contact avec du gaz ou liquide qui fuit.
- En cas de contact avec la peau, rincer avec de l'eau claire.
- En cas de contact avec les yeux, consultez immédiatement un médecin.
- En cas d'irritation des voies respiratoires, prenez l'air et consultez un médecin en cas d'inconfort.



## DANGER

### RISQUE DE BLESSURE PAR MANIPULATION INCORRECTE DE LA BATTERIE OU PAR UTILISATION EN DEHORS DU CADRE DES PRÉCONISATIONS !

- La batterie ne doit être utilisée qu'avec le vélo électrique prévu à cet effet !
- La batterie est conçue pour un usage conforme aux préconisations d'utilisation de votre vélo électrique (voir « 3.5 Utilisation conforme »). Toute utilisation sortant de ce cadre peut endommager la batterie.
- La batterie convient pour les plages de températures suivantes :
  - Recharge de la batterie : 0 °C à +40 °C
  - Décharge : +10 °C à +50 °C
  - Stockage : +10 °C à +20 °C
- Excluez tout risque de décharge profonde de la batterie en évitant de ne pas la recharger pendant plus de 3 mois.
- Si la batterie est remplacée, il faut veiller à utiliser uniquement des modèles admis.
- La batterie et le chargeur doivent être hors de portée des enfants.



## DANGER

### RISQUE DE BLESSURE LIÉ À UNE MAUVAISE RECHARGE DE LA BATTERIE !

Si la batterie est mal rechargée, elle ou des matériaux combustibles à proximité de la batterie peuvent s'enflammer.

- Utilisez uniquement le chargeur d'origine.
- Ne placez pas le chargeur ou la batterie à proximité des matériaux combustibles lorsque vous rechargez la batterie.
- Le chargeur ne doit pas être couvert pendant la charge et doit être disposé de manière stable et sûre.
- Le chargeur ne doit pas être entré en contact avec de l'eau ou être immergé.
- Ne rechargez la batterie qu'à l'état sec.
- Ne rechargez la batterie que sous surveillance.
- Si le chargement se prolonge de manière anormale ou en cas de défaillance pendant le chargement, débranchez la batterie et contactez le service client Propain.
- La recharge ne doit s'effectuer qu'à une température ambiante comprise entre 0 °C et +40 °C.



## // MANUEL D'UTILISATION



### DANGER

#### RISQUE DE BLESSURE LIÉ À UNE BATTERIE ENDOMMAGÉE !

La densité énergétique de la batterie d'un vélo électrique est très importante. Les dommages ou une décharge soudaine de la batterie peuvent conduire à des situations très dangereuses !

- Si la batterie est endommagée, contactez le service après-vente PROPAIN !
- Ne plus utiliser la batterie dans les conditions suivantes :
  - La batterie est endommagée, déformée ou son corps est fissuré.
  - Elle présente des fuites de liquide ou de gaz.
  - La batterie chauffe fortement ou reste très chaude.
  - Dysfonctionnements ou défaillance de la batterie.
- Si l'une des défaillances précitées survient, il convient de prendre les mesures suivantes :
  - Éloignez-vous suffisamment de la batterie de manière à ne pas respirer les vapeurs qui s'échappent et à ne pas entrer en contact avec les liquides de fuite.
  - Éloignez tous les matériaux inflammables des alentours de la batterie.
  - Sécurisez largement le lieu de stockage.
  - Stockez la batterie dans un récipient ininflammable ou au sol.



### DANGER

#### RISQUE DE BLESSURE LIÉ À UN COURT-CIRCUIT, À UNE EXPLOSION ET UN INCENDIE DE LA BATTERIE !

- Les batteries ne doivent pas subir de choc mécanique.
- N'ouvrez jamais la batterie. Ouvrir la batterie risque de provoquer un court-circuit.
- Gardez la batterie à l'abri de la chaleur (et de la lumière du soleil directe), du feu et de l'eau.
- Ne stockez ni utilisez la batterie à proximité des objets chauds ou combustibles.
- Gardez la batterie à l'écart d'objets tels que les agrafes, pièces de monnaie, clés, clous, vis ou de tout autre objet métallique pouvant occasionner un court-circuit.

### 3.4 DEVOIR DE DILIGENCE ET RESPONSABILITÉ DU CYCLISTE

Ce manuel d'utilisation ne libère pas le cycliste de l'obligation de veiller à conserver le vélo en bon état fonctionnement, notamment en termes de sécurité. En cas de questions, consultez un mécanicien diplômé deux-roues ou le service après-vente PROPAIN. Il est impossible de prévoir toutes les situations ou circonstances qui peuvent se produire en circulation. Ce manuel d'utilisation ne garantit donc pas une utilisation sûre du vélo en toutes circonstances. Certains risques liés à l'utilisation du vélo ne peuvent être prévus ou évités et relèvent de la seule responsabilité du cycliste.

### 3.5 UTILISATION CONFORME

Les champs de pratique des vélos PROPAIN sont subdivisés en cinq catégories – de sorties sur des routes bitumées aux secteurs de freeride ou de downhill. Les vélos doivent être utilisés uniquement conformément aux dispositions d'utilisation. Dans le cas contraire, l'utilisateur assume la responsabilité des conséquences.

La définition de l'utilisation conforme de votre vélo est communiquée sur l'autocollant affichant le champ de pratique sur le cadre de votre vélo.



#### CATÉGORIE 1 : UTILISATION UNIQUEMENT SUR LES ROUTES ASPHALTÉES

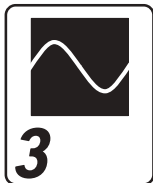
La catégorie 1 identifie les vélos et ses composants à utiliser sur les routes stabilisées. Les vélos demeurent à tout moment en contact avec le sol.



#### CATÉGORIE 2 : UTILISATION SUR ROUTE ET CHEMINS CARROSSABLES ET DES DIFFERENCES DE NIVEAUX DE MOINS DE 15 CM

La catégorie 2 identifie les vélos et ses composants à utiliser sur les terrains mentionnés dans la catégorie 1 ainsi que sur le gravier et les trails modérés. Les vélos peuvent perdre le contact avec le sol. Les niveaux à surmonter doivent être de moins de 15 cm de hauteur.

## // MANUEL D'UTILISATION



### CATÉGORIE 3 : UTILISATION SUR TERRAIN RIGoureux ET DES SAUTS DE MOINS DE 61 CM

La catégorie 3 identifie les vélos et ses composants à utiliser dans les conditions mentionnées dans les catégories 1 et 2 ainsi que sur les trails accidentés, les terrains rigoureux et non stabilisés qui demandent une technique supérieure de conduite. Les sauts et niveaux à surmonter doivent être de moins de 61 cm de hauteur.



### CATÉGORIE 4 : UTILISATION SUR TERRAIN RIGoureux ET DES SAUTS DE MOINS DE 122 CM

La catégorie 4 identifie les vélos et ses composants à utiliser dans les conditions mentionnées dans les catégories 1, 2 et 3 ainsi que les terrains très accidentés et partiellement bloqués, avec des pentes plus raides et les vitesses plus élevées qui y sont associées. Les sauts réguliers et modérés réalisés par des cyclistes expérimentés ne représentent pas de problèmes pour ces vélos. Cependant, une utilisation régulière et permanente des vélos sur les pistes de la North-Shore et dans les parcs à vélos est à exclure. En raison des charges plus élevées subies par ces vélos, ils doivent être vérifiés après chaque sortie afin de détecter d'éventuels dommages. Les vélos à suspension complète et à débattement moyen sont typiques de cette catégorie.



### CATÉGORIE 5 : CHAMP DE PRATIQUE EXTRÊME (DOWNHILL, FREERIDE, DIRT)

La catégorie 5 identifie les vélos et ses composants à utiliser dans les conditions mentionnées dans les catégories 1, 2, 3 et 4 ainsi que les terrains exigeants, fortement bloqués et à pentes extrêmement raides, qui ne peuvent être maîtrisés que par des cyclistes expérimentés et très bien entraînés. Les grands sauts à très grande vitesse et l'utilisation intensive dans les parcs à vélos ou sur des itinéraires de descente désignés sont typiques de cette catégorie. Après chaque sortie, effectuez impérativement un contrôle intensif de ces vélos pour vérifier qu'ils ne présentent pas de dommages éventuels. En cas de pré-dommages, des contraintes supplémentaires nettement inférieures peuvent également causer une défaillance. Le remplacement régulier des composants importants pour la sécurité ne doit pas être négligé. Le port de protections spéciales est expressément recommandé. Les vélos à suspension complète et à débattement long sont typiques de cette catégorie.

## 4. PREMIÈRE SORTIE ET FAMILIARISATION AVEC VOTRE NOUVEAU VÉLO

Familiarisez-vous sur terrain plat et à l'écart de la circulation avec le système d'entraînement, le comportement, les freins, la transmission et les suspensions de votre vélo. N'oubliez pas de porter un casque ! Ne passez à des terrains plus difficiles ou à des manœuvres plus complexes que progressivement. La batterie est livrée partiellement chargée. Chargez complètement la batterie avant le premier trajet. Pour plus de détails, référez-vous aux instructions de montage de votre vélo.

Conditions préalables :

- Le vélo a été assemblé selon les instructions de montage.
- La hauteur d'assise est réglée de manière à permettre un bon confort de conduite, et à permettre d'enfourcher le vélo et d'en descendre en toute sécurité.
- Les tâches figurant dans le tableau « Avant la sortie » (voir « 6. Réglages avant et après une sortie EN vélo ») ont été exécutées correctement.

### FREINS À DISQUE :

#### 1. Rodez les plaquettes de frein.

A cet effet, choisissez une voie à l'écart de la circulation routière et actionnez chaque frein 20 à 30 fois de manière à ralentir de 30 km/h à 5 km/h. Freinez aussi fort que possible mais sans que l'une ou l'autre roue bloque. Répétez ensuite l'opération avec le deuxième frein. C'est seulement après avoir rodé les freins qu'ils pourront déployer tout leur potentiel. Tenez aussi compte des indications du fabricant de vos freins (voir aussi « 8.3 Informations complémentaires »).

#### 2. Vérifiez en roulant le bon fonctionnement des freins.



En règle générale, le levier de frein arrière est monté à droite du guidon et le levier de frein avant est à gauche. Sur demande, les manettes de frein peuvent être interverties.

Si la disposition des éléments de votre vélo vous semble inhabituelle, il convient d'être particulièrement prudent lors de vos premières sorties. Commencez par rouler lentement pour vous familiariser avec le fonctionnement et la force de freinage des freins.

Sur de nombreux freins, il est possible d'ajuster le point de pression et/ou la garde du levier. Tenez compte des indications du fabricant de vos freins (voir aussi « 8.3 Informations complémentaires »).

## // MANUEL D'UTILISATION

### PÉDALES AUTOMATIQUES :

3. Si vous utilisez des pédales automatiques, commencez par vous familiariser à l'arrêt avec l'enclenchement et la libération des chaussures. Il est recommandé de n'utiliser ce système en déplacement qu'à la condition de bien en maîtriser l'enclenchement et la libération à l'arrêt.

L'effort d'enclenchement et de libération est réglable. Tenez compte des indications du fabricant de vos pédales.

### TRANSMISSION :

4. Passez tous les rapports à faible vitesse puis choisissez celui qui vous convient.

→ Tous les rapports peuvent être enclenchés.

→ La butée du plus grand et du plus faible rapport est réglée de manière à ce que la chaîne ne déraile pas.

## 5. GARANTIE / CRASH REMPLACEMENT

### 5.1 GARANTIE

Au-delà de l'obligation légale de garantie, nous accordons volontairement une garantie supplémentaire sur nos cadres de vélo de 3 ans pour les modèles en aluminium et de 5 ans pour les modèles en carbone à partir de la date de vente (à partir du modèle 2016). La garantie légale n'en est pas affectée. Les autres droits nationaux ou étendus de l'acheteur ne sont pas affectés par cette garantie. La garantie couvre tous les cadres de vélo PROPAIN. La garantie des composants est soumise à la réglementation du fabricant respectif et ne fait pas partie des conditions de garantie énumérées ici. La garantie volontaire n'est valable que pour le premier acheteur du produit et nécessite une copie de la facture originale. La peinture ou l'anodisation du cadre, les autocollants, les roulements et les pièces d'usure éventuelles sont exclus de la garantie. La garantie ne s'applique pas non plus aux dommages causés par une utilisation incorrecte ou non conforme à l'usage prévu pour le produit concerné, tel que décrit sur notre site web. Par exemple :

- Négligence du produit (soins et entretien insuffisants)
- Modifications sur le cadre (peinture ou gravure entre autres)

- Ajouts et transformations de composants supplémentaires non expressément approuvés par PROPAIN ou remplacement des composants installés par nos soins à la livraison par des composants d'un autre type
- Utilisation dans un parc à vélo d'un vélo non prévu pour une telle utilisation
- Utilisation prolongée du vélo avec des roulements et des éléments de ressort défectueux, mal réglés ou usés
- Utilisation du produit avec une tige de selle prolongée au-delà de la profondeur d'insertion minimale
- Utilisation excessive due à des sauts, des chutes ou autre
- Les pattes de dérailleur pliées ou déchirées (point de fixation du dérailleur arrière) sont soumis aux effets, par exemple, de la pose du dérailleur arrière sur une pierre ou similaire, et ne constituent donc pas un cas de garantie.

L'indemnisation pour les dommages ou le remboursement des frais de transport ou de montage sont exclus. En outre, nous ne supportons aucun coût supplémentaire dû à un changement de modèle provisoire. Nous nous réservons le droit de réparer le produit ou de le remplacer par un produit équivalent. S'il est nécessaire de remplacer le produit, nous le remplacerons dans la même couleur en fonction de la disponibilité, mais nous nous réservons le droit de le remplacer dans une couleur différente s'il n'est pas disponible.

## 5.2 CRASH REMPLACEMENT

Notre garantie Crash Remplacement (PCR) PROPAIN intervient là où la garantie normale s'arrête : En cas de dommages dus à des chutes. Lors d'une chute, des forces importantes peuvent agir sur le vélo, détruisant des parties ou l'ensemble du vélo, ce qui le rend inutilisable. C'est pourquoi nous avons mis en place le programme PCR. Cela permet au premier propriétaire de remplacer son vélo par un neuf à moindre coût.

Le prix et les conditions de Crash Remplacement sont disponibles sur le site [www.propain-bikes.com](http://www.propain-bikes.com)

## // MANUEL D'UTILISATION

### 6. RÉGLAGES AVANT ET APRÈS UNE SORTIE EN VÉLO

#### 6.1 AVANT LA SORTIE

Pour rouler à vélo en toute sécurité, vous devez réaliser certaines tâches avant l'utilisation. Si votre vélo présente des défauts ou dysfonctionnements, demandez à un mécanicien deux-roues diplômé de réviser votre vélo et d'éliminer les défauts. Ne roulez jamais sur un vélo qui est défectueux ou qui présente de défauts !

	RÉGLAGES/VÉRIFICATIONS	Avant la première sortie	Avant chaque sortie
Roues / Pneus	Soulevez la roue avant et la roue arrière l'une après l'autre et faites-les tourner. → Il faut que les roues tournent impeccablement. → Il faut que les roues tournent tout droit et qu'elles ne soient pas voilées. → Il faut que les pneus n'échappent à aucun endroit en contact avec le cadre.	X	X
	Vérification de la pression de gonflage. → La pression de gonflage doit être d'environ 2 bar. La pression de gonflage maximale de la roue et du pneu utilisé ne doit pas être dépassée (voir aussi « 6.4 Pression de gonflage »).	X	X
	Vérifier le couple de serrage des axes traversants. → Le levier de l'axe traversant de la roue avant doit être serré fermement ! → L'axe traversant de la roue arrière doit être serré avec 12 Nm !	X	X
	Soulevez la roue avant et la roue arrière l'une après l'autre et bougez-les vers le côté. → Il ne faut pas que vous notiez du jeu.		X
	Vérifiez le système de roue libre du moyeu arrière pour vous assurer que la liaison par frottement soit impeccable : Asseyez-vous sur votre vélo, actionnez le frein avant et pédalez debout en faisant un effort moyen. → La force doit être transférée à la roue arrière. → Il ne faut pas que la roue libre glisse.		X
	Vérifiez les pneus dans le but d'identifier des endommagements et endroits usés. → Ils doivent être dans un état impeccable. → L'usure ne doit pas être aussi prononcée que l'insert de protection de la crevaillon ou les fils de la carcasse soient visibles à la chape.		X

RÉGLAGES/VÉRIFICATIONS		Avant la première sortie	Avant chaque sortie
Frein	Vérifier l'efficacité des freins : quand vous êtes debout à côté du vélo, actionnez les manettes de frein l'une après l'autre et bougez le vélo vers l'avant et vers l'arrière. → La roue avant ainsi que la roue arrière doivent bloquer lorsque le levier de frein reste actionné.	X	X
	Vérifiez visuellement que les freins ne présentent aucune fuites de liquide ou autres vices. → Il ne faut pas que le liquide de frein fuit au niveau des connecteurs.	X	X
	Vérifiez le point de pression du frein : Quand vous êtes debout à côté du vélo, actionnez les manettes de frein l'une après l'autre. → Après avoir actionné la manette à moitié, il faut ressentir clairement le point de pression.		X
	Vérifiez à quel point sont usées les plaquettes de frein. → La garniture sur la plaquette de frein doit au minimum être de 0,5 mm d'épaisseur.		X
	Vérifiez à quel point sont usés les disques de frein. → Épaisseur minimum des disques de frein : Avid / Sram : 1,55 mm, Magura : 1,8 mm		X
Composants	Vérifiez le serrage de la potence : placez-vous devant le vélo, coincez la roue avant entre les genoux et essayez de tourner le guidon. → Il ne faut pas que le guidon tourne sans forcer anormalement.	X	X
	Vérifiez si vous ressentez du jeu au niveau du jeu de direction : Debout à côté du vélo, actionnez le levier de frein avant et poussez légèrement le vélo vers l'avant et vers l'arrière. → Il ne faut pas que vous notiez du jeu dans les roulements.	X	X
	Vérifiez le montage de tous les composants et éléments attachés au vélo. → Tous les composants et éléments desserrés doivent être resserrés en respectant les couples prescrits (voir « 8.3 Couples de serrage »). En cas de doute, contactez le service client PROPAIN.	X	X
	Vérifiez le serrage correct de la tige de selle : Placez-vous derrière votre vélo et essayez de tourner la selle d'une main. → Il ne faut pas que la selle ou la tige de selle tourne.		X
	Vérifiez le serrage correct des poignées : → Les poignées ne doivent pas tourner dans vos mains.		X



## // MANUEL D'UTILISATION

	RÉGLAGES/VÉRIFICATIONS	Avant la première sortie	Avant chaque sortie
Cadre	Vérifiez le cadre en regard d'endommagements et de déformations. → Il doit être dans un état impeccable.	X	X
	Vérifiez si tous les câbles et conduites se trouvent dans les attaches correspondantes et si toutes ces attaches sont bien fixées. → Il faut que la câblerie entière soit bien fixée dans les attaches appropriées.		X
	Vérifiez les couples de serrage des points d'appui du triangle arrière et du support de l'amortisseur. → Les couples de serrage se trouvent dans le manuel de montage du vélo.		X
Fourche suspendue / amortisseur	Vérifiez les éléments des suspensions en cas d'endommagement. → Elles doivent être dans un état impeccable.	X	X
	Asseyez-vous sur le vélo avec votre équipement complet (casque, sac à dos, chaussures, etc.) et adoptez une position de conduite normale. → Nous recommandons un SAG de 15 à 20 % à la fourche de suspension et de 20 à 30 % à l'amortisseur. → Si nécessaire, changez la pression des suspensions. Pour un amortisseur avec ressort en acier, vous avez déjà choisi la dureté de ressort correspondant à votre poids lors de la commande.	X	

## 6.2 APRÈS LA SORTIE

### NETTOYER LE VÉLO



#### DANGER

RISQUE D'ACCIDENT DÙ AU DYSFONCTIONNEMENT DES FREINS OU FORCE DE FREINAGE RÉDUITE DUS AUX PLAQUETTES OU DISQUES DE FREIN SALES !

Évitez dans tous les cas que les plaquettes et disques de frein entrent en contact avec des substances salissantes telles que des huiles, graisses (aussi graisse cutanée), cires, silicones, téflon, etc. ! N'utilisez jamais les plaquettes respectivement patins et surfaces de frein salis par ces substances !

Après une sortie, vous devriez nettoyer minutieusement votre vélo avec un chiffon de nettoyage doux et de l'eau claire. N'utilisez jamais un nettoyeur à haute pression ! Les saletés tenaces peuvent être éliminées à l'aide de produits de nettoyage spéciaux pour les vélos et leurs composants. Veuillez dans tous les cas tenir compte des notes et recommandations d'emploi du produit de nettoyage en question. Après le nettoyage, il faut huiler à nouveau la chaîne (voir « Entretien la chaîne »).

Portez une attention particulière à la propreté au niveau des pièces mobiles de la fourche de suspension et de l'amortisseur. Si celles-ci ne sont pas propres, les éléments de suspension de votre vélo s'usent prématurément et deviennent moins efficaces.

### ENTREtenir LA CHAÎNE

La chaîne de vélo est une partie élémentaire de la transmission de votre vélo. Les saletés grossières sont recueillies dans la chaîne huileuse et accélèrent l'usure.

Effectuez régulièrement les tâches ci-dessous pour accroître la résistance et la longévité de la chaîne :

1. Nettoyez la chaîne avec un chiffon imbibé d'huile.
2. Appliquez l'huile de chaîne sur la chaîne.
3. Essuyez l'huile superflue avec un chiffon sec qui ne peluche pas.

## // MANUEL D'UTILISATION

### GARER LE VÉLO

Le vélo doit être garé en sécurité de manière qu'il ne puisse pas tomber. Il suffit souvent d'une chute depuis une position debout sur un bord pour causer des dommages irréversibles au cadre ou aux composants du vélo. Voir aussi « 7. Transport et stockage ».

#### 6.3 APRÈS UNE CHUTE



#### DANGER

##### RISQUE D'ACCIDENT DÛ AUX COMPOSANTS ENDOMMAGÉS OU CASSÉS !

Une chute ou une utilisation excessive peuvent provoquer des dégâts que vous pouvez ne pas voir ou ne pas remarquer.

- Si vous roulez sur un vélo avec des pièces endommagées, tordues ou même fissurées ou cassées, vous courez de grands risques, qui peuvent parfois entraîner la mort.
- Après une chute, le vélo et les composants sont à réviser par le service après-vente PROPAIN ou un mécanicien deux-roues diplômé.
- Ne réparez jamais vous-même les pièces tordues mais remplacez-les pour votre propre sécurité.

Il est très difficile de constater les dommages sur un composant en carbone. Tous les dommages ne sont pas visibles. Une rayure superficielle peut être une indication d'une délamination (détachement de différentes couches de carbone).

Sur les vélos dont le poids a été réduit et optimisé, il suffit souvent d'une chute depuis une position debout sur un bord pour causer des dommages irréversibles au cadre ou aux composants du vélo. Si on craint que le vélo ou les composants soient endommagés, les dégâts doivent être révisés dans tous les cas par le service après-vente PROPAIN ou un mécanicien deux-roues diplômé.

Si les composants endommagés sont en aluminium, ils présentent des bosses, fissures, déformations ou changements de couleur. Au cas où l'un de ces indicateurs surgit, le composant ou le vélo concerné ne peuvent plus être utilisés. Si on craint que le vélo ou les composants soient endommagés, les dégâts doivent être révisés dans tous les cas par le service après-vente PROPAIN ou un mécanicien deux-roues diplômé.

## 7. TRANSPORT ET STOCKAGE

### 7.1 TRANSPORT DANS UN VÉHICULE

Le mieux et le plus sûr est de transporter votre vélo dans un véhicule. Le vélo y est parfaitement protégé des intempéries et du vol. Certaines préconisations sont cependant à respecter :

- Directement exposées au rayonnement solaire, les surfaces d'un véhicule, en particulier à l'intérieur de celui-ci, peuvent devenir très chaudes.
  - La batterie ne doit pas être exposée à la lumière directe du soleil. Couvrez la batterie. Utilisez dans l'idéal une housse de batterie de manière à la protéger de la chaleur et des chocs.
  - Les composants en carbone doivent être recouverts et protégés du rayonnement solaire direct.
- Les composants en carbone sont très sensibles aux contraintes de pression. Avant d'empiler les différents éléments, par exemple les roues et le cadre, il convient de les protéger les uns des autres par rembourrage. De nombreux fabricants proposent des housses pour roues. Ces housses protègent parfaitement les roues lors du transport.
- Si les roues sont démontées, il convient de prévoir une sécurisation de transport entre les pattes de fourche / de cadre, et entre les plaquettes de frein des freins à disque.

### 7.2 TRANSPORT SUR LE PORTE-VÉLO ARRIÈRE OU LE PORTE-VÉLO DE TOIT

Les porte-vélo arrière et porte-vélo de toit dont les mors de maintien tiennent le tube horizontal, le tube diagonal ou le tube de selle du vélo, ne conviennent pas pour les cadres en carbone. La force de serrage du mors est susceptible d'abîmer la structure en carbone. Il convient de retirer la batterie avant de transporter le vélo sur un porte-vélos. Il convient en outre de couvrir les contacts de la batterie et ceux du vélo. Placer la batterie dans la voiture de manière qu'elle ne puisse pas bouger lors du transport. Utilisez dans l'idéal une housse de batterie qui la mette à l'abri de la chaleur et des chocs. Les jantes doivent être emballées dans une matière souple avant d'être sécurisées par des sangles d'arrimage à cliquet et/ou à enrouleur automatique ou des systèmes à crémaillère. Si plusieurs vélos sont transportés sur le porte-vélo, il convient de prévoir assez de place pour avoir un écart suffisant entre les vélos et/ou bien les protéger l'un de l'autre. Si les vélos sont en carbone, s'assurer de maintenir les roues aussi loin que possible du pot d'échappement. La distance minimum s'élève à 45 cm derrière le pot d'échappement et à 20 cm au-dessus. Bien tenir compte des préconisations de la notice d'utilisation du porte-vélo arrière ou le porte-vélo de toit.

## // MANUEL D'UTILISATION

### 7.3 STOCKAGE DE LA BATTERIE

Lorsqu'un arrêt prolongé de l'utilisation de votre vélo est prévu, assurez vous de l'éteindre avec une charge résiduelle de la batterie d'environ 70 %. Veillez également à ce que la batterie ne se décharge pas complètement en la rechargeant tous les 6 mois. Conservez la batterie et les vélos à batterie intégrée en intérieur et dans un endroit frais (à environ 10 à 20 °C) à l'abri d'une exposition directe à la lumière du soleil ou à la pluie. Lorsque la température de stockage est trop basse ou trop élevée, la capacité des batteries diminue et la durée d'utilisation se réduit.

#### RECHARGEZ LA BATTERIE LORS DU STOCKAGE ET À L'ISSUE DE CELUI-CI.

Chargez la batterie à environ 70 % en prévision de l'arrêt de son utilisation sur une longue période (le niveau de charge de 70 % correspond à une série de 4 clignotements de la LED de batterie). Vérifiez la charge après 6 mois. Si seules trois LEDs s'allument sur l'indicateur de charge, rechargez la batterie à environ 70%. Excluez tout risque de décharge profonde de la batterie en évitant de ne pas la recharger pendant plus de 3 mois.

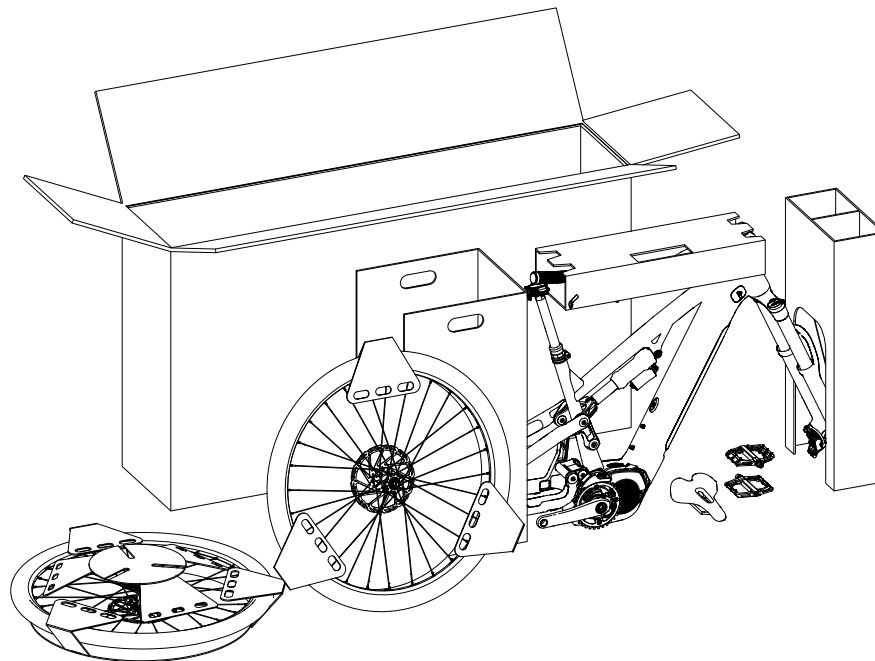
N.B. : Si la batterie est stockée à l'état vide pendant une période prolongée, elle peut être endommagée malgré la faible autodécharge et sa capacité de stockage peut fortement diminuer. Il est déconseillé de laisser la batterie branchée une fois celle-ci chargée.

### 7.4 STOCKAGE DU VÉLO

Il est recommandé de ranger le vélo dans un support à vélo approprié qui, dans l'idéal, n'accueille que la roue arrière. Vérifiez la pression de l'air lorsque le vélo reste inutilisé sur de longues périodes. Il convient d'éviter que les roues restent dégonflées trop longtemps. Une autre solution pour un stockage sûr consiste à suspendre le vélo à un crochet rembourré ou recouvert de plastique ou de caoutchouc. En cas de stockage de plus de trois mois, il est recommandé d'extraire le liquide d'étanchéité des pneus tubeless. Certains liquides d'étanchéité contiennent des agents corrosifs pour les jantes.

## 7.5 ENVOI DU VÉLO

Selon les dimensions de la Bike Box PROPAIN, le vélo peut être expédié dans différents stades de montage. Retournez le vélo dans le même état de montage qu'à la réception.



## // MANUEL D'UTILISATION

1. Fixez toutes les pièces desserrées ou mobiles ou emballez-les suffisamment. Les composants coupants ou pointus doivent être emballés avec un soin particulier afin de ne pas endommager le contenu du colis ou ni d'en perforer l'emballage.
2. Pour l'envoi, démontez la roue avant et enveloppez-la d'un carton.
3. Vissez les axes traversants dans la fourche.
4. Placez le carton de calage à l'arrière sur le côté dérailleur arrière.
5. Protégez le tube horizontal à l'aide d'un matériau approprié (p. ex. isolant pour tubes) afin que le guidon ne puisse pas l'endommager.

## 8. RÉVISION ET ENTRETIEN



### DANGER

RISQUE D'ACCIDENT DÙ À L'ENTRETIEN ET À LA RÉVISION NON EFFECTUÉS OU NON EFFECTUÉS À TEMPS !

Si vous vous passez de l'entretien et de la révision, les composants usés peuvent occasionner un accident.

- Effectuez les tâches et respectez les intervalles de révision et d'entretien indiqués dans ce manuel d'utilisation.
- Le respect des tâches et des intervalles d'entretien et de révision est une condition préalable au maintien des droits à la garantie.

Seuls une maintenance et un entretien réguliers permettront de garantir le bon fonctionnement de toutes les pièces du vélo. Vous pouvez réaliser vous-mêmes des tâches élémentaires de contrôle, d'entretien et de nettoyage à intervalles réguliers (voir « 6. Réglages avant et après une sortie EN vélo »). En fonction de l'intervalle entre les révisions, les interventions de maintenance et révisions nécessaires doivent être effectuées par PROPAIN ou par une personne ayant les qualifications nécessaires.

Les informations concernant la révision et la maintenance sont disponibles sur [www.propain-bikes.de](http://www.propain-bikes.de).

## 8.1 MAINTENANCE DES COMPOSANTS

Vous pouvez théoriquement réaliser vous-mêmes toutes les tâches d'entretien. En cas de doutes sur vos capacités ou s'il vous manque un outil particulier, ces tâches doivent être effectuées par PROPAIN ou un mécanicien diplômé deux-roues.

COMPOSANTS	TÂCHES	INTERVALLE
Vélo complet	Vérifier les couples de serrage de toutes les vis. Valeurs de couples de serrage, voir « 6.4 Couples de serrage ».	la première fois après 100 à 300 km ou 5 à 15 h* ensuite, tous les 1 500 km ou 75 h*
Cadre	Vérifier visuellement l'absence de dommages sur le cadre : fissures, déformations, décolorations et frottements causés par les gaines de câbles ou les conduites de frein.	3 mois
Fourche suspendue / amortisseur	Vérifier visuellement l'absence de dommages tels que fissures, déformations et décolorations.	3 mois
	Révision légère	50 h / 3 mois ou selon les instructions du fabricant
	Révision en profondeur	200 h / 3 mois ou selon les instructions du fabricant
Jeu de direction	Démonter, nettoyer, graisser et remonter toutes les pièces du jeu de direction. Remplacer les roulements en mauvais état ou corrodés.	6 mois
Tige de selle	Démonter, nettoyer la tige de selle et le tube de selle du cadre et réassembler sans utiliser de lubrifiants. Vérifier le couple de serrage. Couple de serrage collier de selle et serre-selle, voir « 6.4 Couples de serrage ».	3 mois



## // MANUEL D'UTILISATION

COMPOSANTS	TÂCHES	INTERVALLE
Guidon / Potence	Vérifier le couple de serrage. Valeurs de couples de serrage, voir « 6.4 Couples de serrage ».	3 mois
Frein	Vérifier l'usure des plaquettes de frein. → La garniture sur la plaquette de frein doit au minimum être de 0,5 mm d'épaisseur.	Régulièrement
	Vérifier l'usure des disques de frein. → Épaisseur minimum des disques de frein : Sram/Avid : 1,55 mm, Magura : 1,8 mm	Régulièrement
	Purger les freins / changer le liquide de frein	12 mois
Roues	Entretien du moyeu : dans des conditions d'utilisation normales	12 mois
	dans des conditions d'utilisation extrêmes (utilisation régulière dans la poussière, la pluie, la neige ou en cas de transport fréquent sous la pluie)	3 mois
	Tâches d'entretien, voir instructions du fabricant.	
	Remplacer la jante Tubeless.	12 mois
	Vérifier l'absence de dommages au fond de jante Tubeless. Le fond de jante Tubeless doit être remplacé lorsque <ul style="list-style-type: none"> <li>le fond de jante se détache de la jante.</li> <li>les motifs se détachent et le matériau support devient visible.</li> <li>des renflements importants sont visibles vers l'intérieur au niveau des trous de rayons et le fond de jante Tubeless présente des plis marqués.</li> </ul>	3 mois
Vérifier la tension des rayons, la concentricité et l'usure de la roue.	10 h*	

COMPOSANTS	TÂCHES	INTERVALLE
Pneus / étanchéité	<p>Démonter les pneus et vérifier l'absence de dommages et de corps étrangers. Vérifier simultanément l'état du fond de jante Tubeless, voir ci-dessus.</p> <p>Remplacer le liquide d'étanchéité ou compléter le niveau, le cas échéant. Retirer le liquide d'étanchéité séché des pneus.</p> <p>Nous recommandons de prévoir 30 ml de liquide d'étanchéité par pneu.</p>	3 mois
Transmission / entraînement	<p>Vérifier l'usure de la chaîne à l'aide de la jauge d'usure.</p> <p>→ La chaîne doit être remplacée lorsqu'il apparaît que l'allongement maximal autorisé est atteint (jauge d'usure).</p> <p>Les plateaux et la cassette sont également à changer lors du deuxième remplacement de la chaîne.</p>	Premier changement après 1 000 km, puis changement régulier
	Vérifier le réglage du dérailleur arrière et du dérailleur avant.	3 mois
	<p>En cas d'utilisation d'un dérailleur électronique ou d'une tige de selle à réglage électronique : Remplacer les piles bouton.</p> <p>Type de pile : CR2032</p>	2 ans ou lorsque la LED rouge s'allume ou clignote

\*h = heures d'utilisation Pour les intervalles, l'évènement en km ou en h qui se produit en premier s'applique.

## // MANUEL D'UTILISATION

### 8.2 REMPLACEMENT DE PIÈCES

Tous les composants ne se remplacent pas avec la même facilité. Les deux associations allemandes « *Zweirad-Industrie-Verband* » (ZIV) et « *Verbund Service und Fahrrad* » (VSF) ont établi des directives en commun. Ces directives définissent les exigences de remplacement de pièces de votre vélo électrique. Les composants de votre vélo électrique sont ainsi classés en 4 catégories distinctes. Le tableau ci-dessous liste tous les composants possibles d'un vélo électrique. Certains composants intégrés au tableau ci-dessous peuvent ne pas être montés sur votre vélo électrique.

#### CATÉGORIE 1 : COMPOSANTS QUI NE DOIVENT ÊTRE REMPLACÉS QU'AVEC L'ACCORD DU FABRICANT DE L'ENTRAÎNEMENT OU DE PROPAIN

- Moteur
- Capteurs
- Commande électronique
- Conduites électriques
- Écran / Unité de commande au guidon
- Batterie / Chargeur

#### CATÉGORIE 2 : COMPOSANTS QUI NE DOIVENT ÊTRE REMPLACÉS QU'AVEC L'ACCORD DE PROPAIN

- Cadre
- Amortisseur
- Fourche fixe ou suspendue
- Système de freinage
- Porte-bagages (Le porte-bagages influence directement la répartition de la charge sur le vélo. L'ajout ou le retrait de charges peut amener le comportement du vélo à s'écarter de celui envisagé par le fabricant.)

## CATÉGORIE 3 : COMPOSANTS QUI NE DOIVENT ÊTRE REMPLACÉS QU'AVEC L'ACCORD DE PROPAIN OU DU FOURNISSEUR RESPECTIF

- Pédalier (à condition que les distances pédalier-centre du cadre (facteur 0) soient prises en compte)
- Roue (à condition que l'ETRTO soit respectée)
- Chaîne / Courroie de transmission (à condition que la largeur d'origine soit respectée)
- Fond de jante (le fond de jante et la jante doivent correspondre. D'autres combinaisons peuvent amener le fond de jante à glisser et à endommager le boyau/la chambre à air.)
- Pneus (La forte accélération, le poids supplémentaire et la conduite plus dynamique en virage requièrent des pneus adaptés aux vélos électriques. Assurez-vous de respecter l'ETRTO.)
- Câbles / Conduites de frein
- Patins ou plaquettes de frein
- Cintre et potence (à condition de ne pas raccourcir/rallonger les câbles et/ou conduites.)
- Selle et tige de selle (Si l'écart ne dépasse pas 20 mm par rapport à la combinaison selle/tige de selle d'origine. Une répartition de la charge en dehors de la plage de réglage préconisée peut le cas échéant modifier significativement la manœuvre du vélo. La longueur des rails de selle et la forme de la selle jouent également un rôle à cet égard.)
- Éclairage avant (Les éclairages avant sont conçus pour une tension déterminée qui doit correspondre à la batterie montée sur le vélo électrique. Il convient en outre de veiller à leur compatibilité électromagnétique, les éclairages avants pouvant être sources de puissances parasites.)

## // MANUEL D'UTILISATION

### CATÉGORIE 4 : PIÈCES POUR LESQUELLES AUCUNE VALIDATION SPÉCIFIQUE N'EST NÉCESSAIRE

- Jeu de direction
- Boîtier de pédalier
- Pédales (à condition qu'elles ne soient pas plus larges que les pédales d'origine/de série)
- Dérailleur avant et dérailleur arrière (tous les composants de la transmission doivent correspondre au nombre de rapports et être compatibles entre eux.)
- Levier de dérailleur / Poignée tournante
- Câbles et gaines de dérailleur
- Plateaux / Cassette (à condition que le nombre de dents et le diamètre soient identiques à ceux de la pièce d'origine)
- Rayons
- Chambre à air (du même type avec le même type de valve)
- Éclairage arrière, catadioptré arrière, réflecteurs à rayon
- Béquille
- Poignées avec fixation à vis
- Sonnette

### 8.3 PRESSION DE GONFLAGE

La section du pneu et la distance interne de la jante déterminent la pression de gonflage maximale. Avant d'ajuster la pression de gonflage, veuillez tenir compte du tableau ci-dessous. Il ne faut en aucun cas dépasser la pression de gonflage maximale ! Si vous voulez gonfler des pneus montés d'origine, vous pouvez déterminer la pression de gonflage maximale à l'aide de la section du pneu. La section du pneu est indiquée sur l'épaulement du pneu. Avec les vélos tous terrains, vous pouvez réduire la pression de gonflage afin de favoriser l'adhérence des pneus. La pression de gonflage minimale est également indiquée sur l'épaulement du pneu et doit dans tous les cas être respectée. La pression de gonflage pour une utilisation en trail, enduro, freeride et downhill doit être de 1,5 à 1,9 bar à l'avant et de 1,7 à 2,1 bar à l'arrière.

Distance entre les crochets (interne) de la jante					Sections de pneu recommandées		Pression de gonflage maximale	
					[mm]	[pouces]	[bar]	[psi]
21 mm	23 mm	25 mm	27 mm	29 - 40 mm	18	0,7	9,8	142
					20	0,8	9,3	135
					23	0,9	8,8	128
					25	1	8,3	120
					28	1,1	7,6	110
					30	1,2	7,0	102
					32	1,25	6,6	96
					35	1,35	5,8	84
					37	1,4	5,5	80
					40	1,5	5,3	77
					42	1,6	5,0	73
					44	1,7	4,8	70
					47	1,8	4,5	65
					50	1,9	4,2	61
					52	2	3,9	57
					54	2,1	3,6	52
					57	2,2	3,3	48
60	2,3	3,0	44					
62	2,5	2,7	39					
66	2,6	2,5	36					
69	2,7	2,3	33					
71	2,8	2,1	30					

// NOTES



// NOTES





***PROPAIN***



CUSTOM HANDCRAFTED  
MOUNTAIN BIKES

## // DECLARACIÓN DE CONFORMIDAD DE LA CE SEGÚN LA DIRECTIVA SOBRE MÁQUINAS DE LA UE 2006/42/CE

**Propain Bicycles GmbH**

**Schachenstraße 39**

**88267 Vogt**

**Gerentes Robert Krauss / David Assfalg**

**Teléfono: 0751 201802-22**

**Correo e.: info@propain-bikes.com**

**Descripción del producto:** Propain Ekano 165 & 150 - EPAC-Mountainbike

**Número de cuadro:** Tamaño-Año-Mes-Modelo-001->999 \*

**Número de referencia:** 000871-AD

**Año de construcción:** 2019

**Año del modelo:** 2020

**Nombre/número de referencia batería:** Shimano Steps 8035 / KBTE8035A

**Nombre/número de referencia motor:** Shimano EP8 / DU-EP800

**Nombre/número de referencia cargador:** Shimano / K-ECE60001X

\*

**Tamaño:** SM, MD, LG, XL

**Year:** 19, 20, 21, etc.

**Mes:** 01, 02, 03, etc.

**Modelo:** E = Ekano

001 -> 999 número consecutivo

**Garantizamos que los productos especificados cumplen los requisitos de las siguientes directivas europeas:**

2006/42/CE Directiva sobre máquinas

2014/30/UE Compatibilidad electromagnética (EMC)

2014/35/UE Directiva de baja tensión

DIN EN ISO 12100:2010 Evaluación de riesgos

EN ISO 4210:2014 y :2015

EN 15194:2017

Lugar, fecha

Vogt, 22/07/2019



Firma del gerente

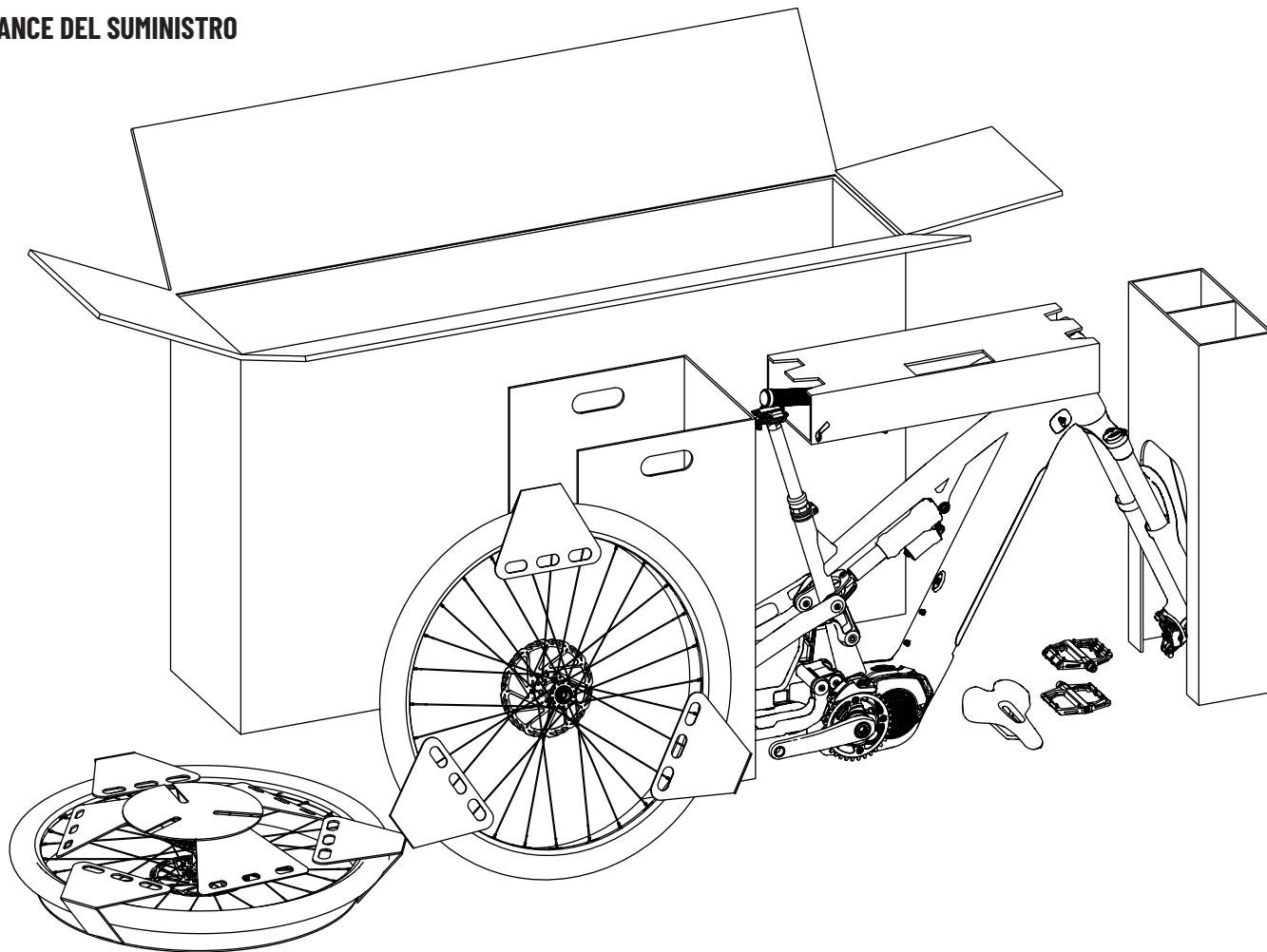
Dipl. Ing. Robert Krauss



Firma del responsable de la documentación de la CE

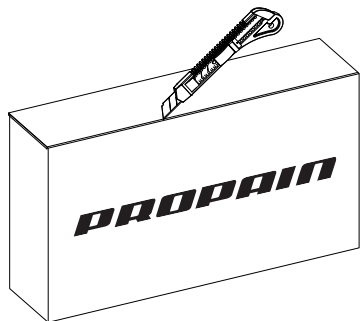
BEng Florian Gärtner

// ALCANCE DEL SUMINISTRO



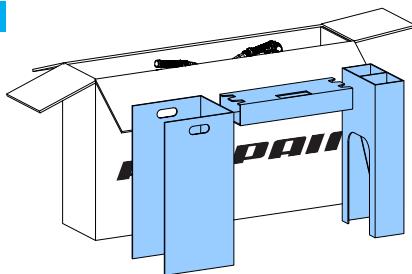
## // DESEMBALAJE

1



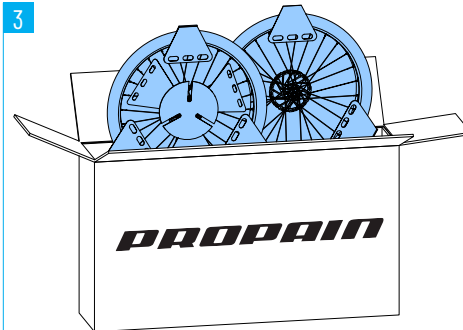
Abre con cuidado la caja de embalaje por la parte de arriba.  
→ Procura que las piezas de su interior no sufran daños.

2



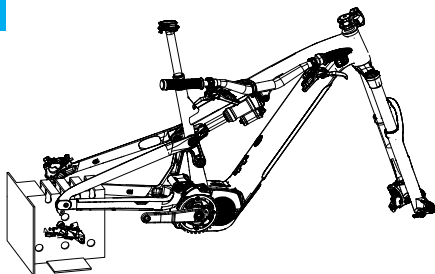
Saca la fijación del manillar, el triángulo trasero y la horquilla.  
→ Al sacarlos, ten cuidado al manillar de su fijación. De este modo evitarás que el manillar dañe la pintura.

3



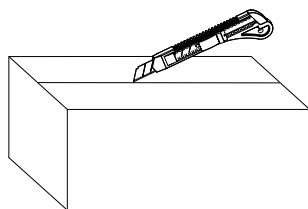
Saca ambas ruedas con cuidado.  
→ Presta especial cuidado en este paso para evitar posibles daños.

4



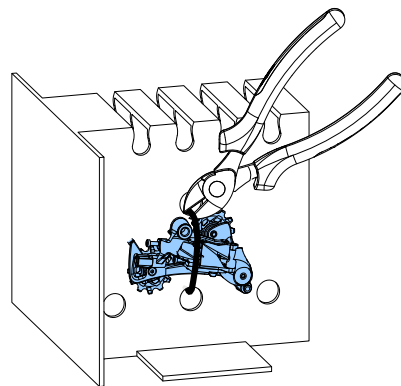
Ahora, con cuidado, saca la bicicleta.  
→ Vigila con el manillar, la horquilla y el desviador trasero. Para su montaje, fije la bicicleta a un soporte de montaje o colócala en el suelo, con la fijación del triángulo trasero.

5



Saca caja de piezas pequeñas y ábrela.  
→ En esta caja encontrarás los pedales, el sillín, la llave dinamoétrica, piezas pequeñas y ropa/merchandising que se han adquirido con la bicicleta.  
→ En la siguiente página encontrarás cómo usar la llave dinamoétrica.

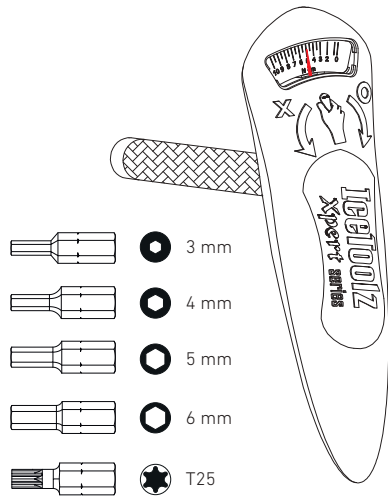
6



Suelte el desviador trasero de la fijación del triángulo trasero.

## // USO DE LA LLAVE DINAMOMÉTRICA

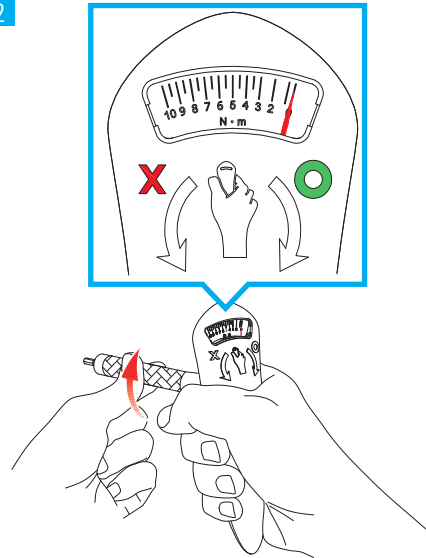
1



El mango de la llave dinamométrica permite colocar cinco herramientas distintas:

- punta Allen de 3 mm
- punta Allen de 4 mm
- punta Allen de 5 mm
- punta Allen de 6 mm
- punta Torx T25

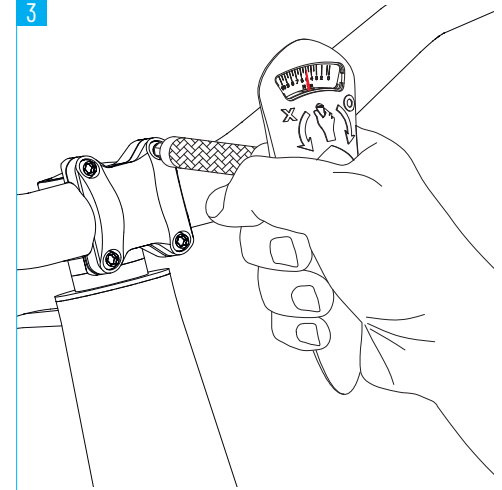
2



Ajusta a la posición cero:

Cada vez que se use la llave dinamométrica, comprueba antes que el indicador marque "0", sin carga. Si no es así, aguanta la llave dinamométrica y gira la extensión en el sentido de las agujas del reloj hasta que el indicador esté en "0".

3

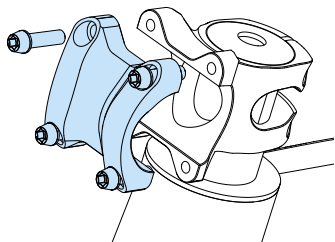


Aprieta los tornillos con la llave dinamométrica:

1. Coloca la herramienta adecuada en la extensión de la llave dinamométrica.
2. Ajusta a la posición cero.
3. Gira el tornillo en el sentido de las agujas del reloj hasta que el indicador marque en la escala el par de apriete deseado.
  - Solo se pueden apretar tornillos con rosca a la derecha.
  - La llave dinamométrica cubre un rango de 0 a 10 Nm. Con esta llave dinamométrica no se pueden apretar pares de apriete mayores.

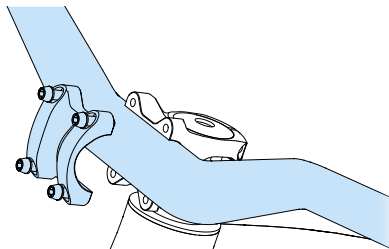
## // MONTAJE DEL MANILLAR

1



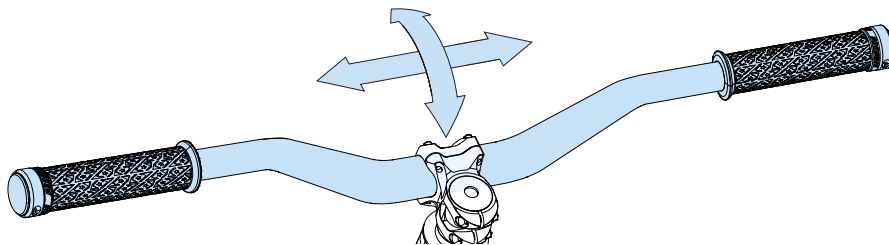
1. Destornilla los tornillos de la abrazadera de la potencia.
2. Retira la abrazadera del manillar y los tornillos.

2



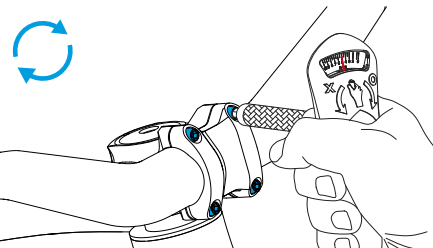
1. Coloca el manillar en la potencia.
2. Coloca la abrazadera del manillar y da unas cuantas vueltas a mano a los tornillo.

3



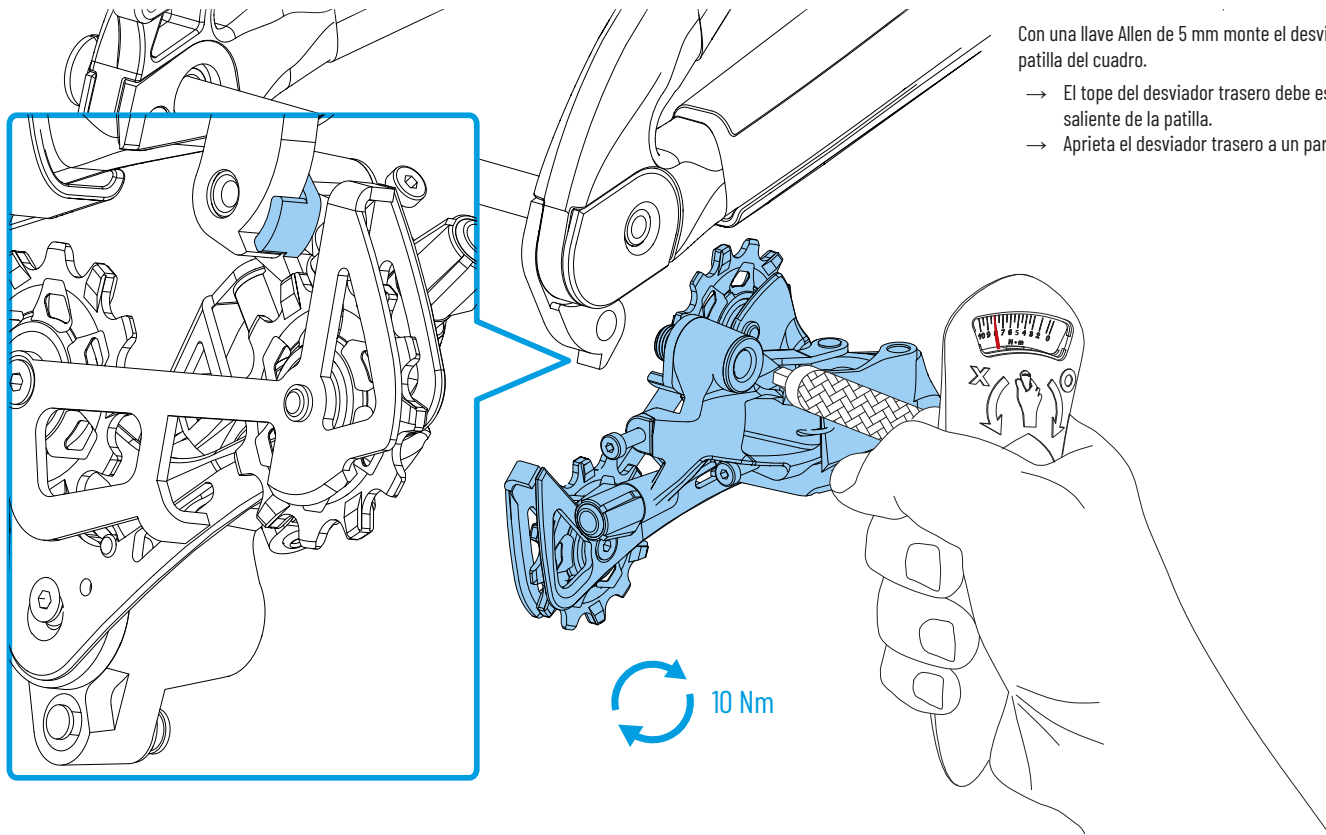
1. Endereza el manillar en el centro y ajusta su inclinación según tus preferencias.
2. Ajusta la maneta del freno y del cambio a la inclinación del manillar.

4



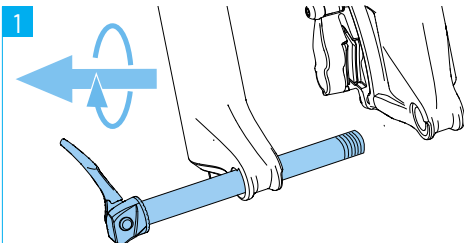
1. Coloca los dos tornillos superiores y apriételos con el par de apriete grabado en láser en la abrazadera o la potencia.
2. Coloca los dos tornillos inferiores y apriételos con el par de apriete grabado en láser en la abrazadera.

## // MONTAJE DEL DESVIADOR TRASERO

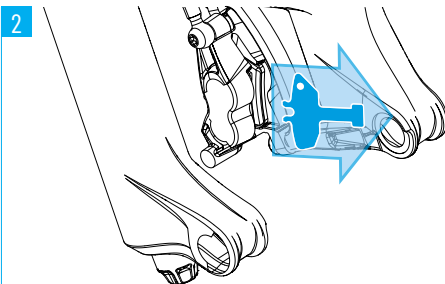


## // MONTAJE DE LA RUEDA DELANTERA

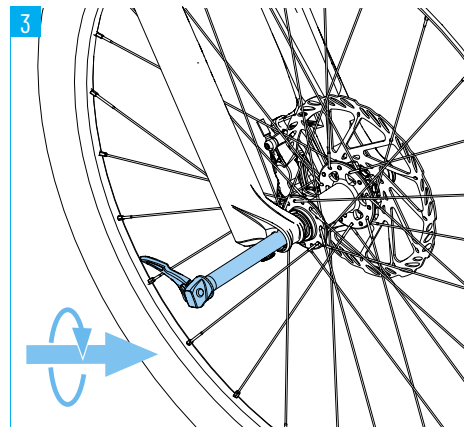
Dependiendo del fabricante de la horquilla, el eje se debe empujar de derecha a izquierda por el extremo de la horquilla.



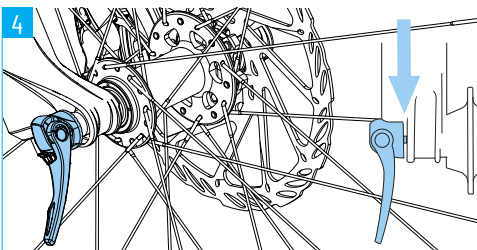
Retira el eje de la horquilla.



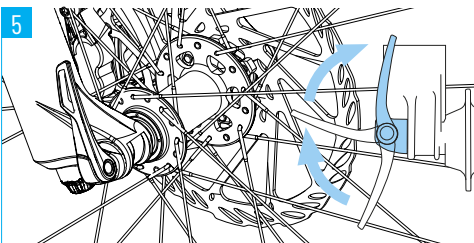
1. Retira el seguro de transporte que hay entre las pastillas de freno.
2. Guarda el seguro de transporte para cuando quieras transportar tu bicicleta más adelante.



1. Introduce la rueda delantera en los extremos de la horquilla. El disco de freno debe insertarse entre las pastillas de freno.
2. Abre la palanca del eje e introduce este por el lado de la transmisión (en la dirección de la marcha, a la derecha) a través de los extremos de la horquilla y el buje de la rueda.



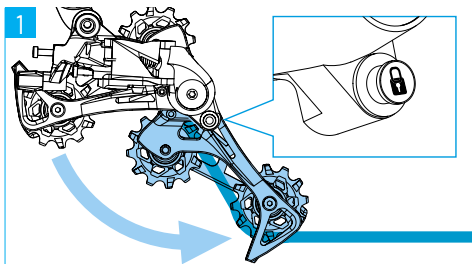
Gira el eje en la rosca del extremo hasta que entre el eje y el extremo tan solo quede un pequeño hueco.




1. Cierra la palanca del eje.
2. No debe quedar ningún hueco entre el eje pasante y el extremo.  
→ Para cerrar la palanca se debe emplear una fuerza con la mano que va en aumento hasta que la palanca está completamente cerrada. Para aumentar el esfuerzo de la palanca, ábrela y gírala en el sentido de las agujas del reloj. Cierra la palanca para volver a comprobar su esfuerzo. Repite el procedimiento hasta que el esfuerzo sea suficiente y luego cierra la palanca.

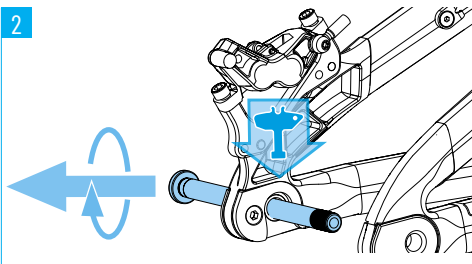


## // MONTAJE DE LA RUEDA TRASERA

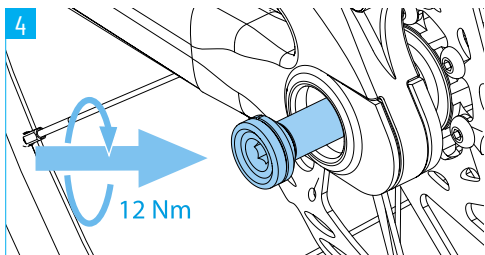


Activa la función Cage Lock. Para ello, tira de la caja del desviador trasero hacia adelante y pulsa el botón Cage Lock con el símbolo .

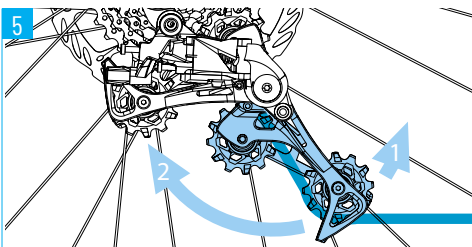
→ Cuando se activa la Cage Lock, la caja del desviador trasero permanece en una posición inclinada hacia adelante. Esto facilita el montaje de la rueda trasera.



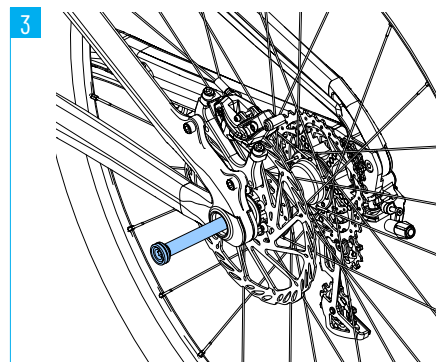
1. Retira el eje del cuadro.
2. Retira el seguro de transporte que hay entre las pastillas de freno.
3. Guarda el seguro de transporte para cuando quieras transportar tu bicicleta más adelante.



Gira el eje en el extremo con una llave Allen de 6 mm y apriétalo con un par de 12 Nm.

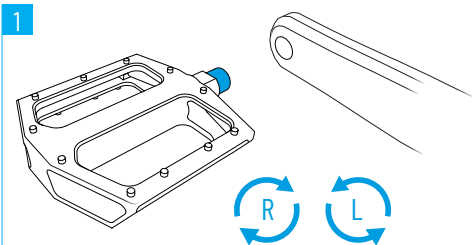


Desactiva la función Cage Lock. Para ello, tire de la caja del desviador trasero ligeramente hacia adelante y deje que el desviador trasero vuelva con cuidado a su posición original.



1. Introduce la rueda trasera en el extremo del cuadro.  
→ El disco de freno debe insertarse entre las pastillas de freno.  
→ Coloca la cadena en el piñón más pequeño del cassette.
2. Coloca el eje por el lado del freno (en la dirección de conducción, a la izquierda) a través de los extremos del cuadro y el buje de la rueda.

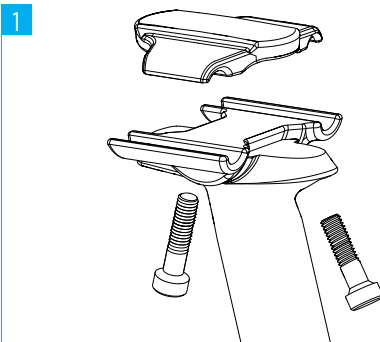
## // MONTAJE DE LOS PEDALES



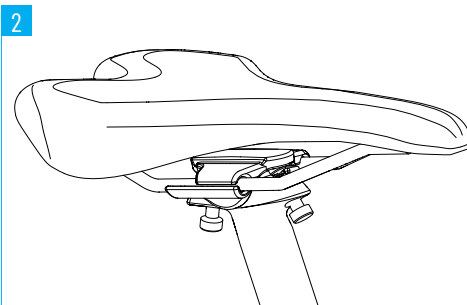
Uno de los pedales tiene la rosca a la derecha y el otro a la izquierda. La mayoría de pedales están marcados con «L» y «R» por el lado de montaje. En algunos, el pedal izquierdo está marcado con una ranura en el eje.

1. Engrasa ligeramente la rosca del pedal.
2. Enrosca el pedal izquierdo en la biela izquierda, en sentido contrario a las agujas del reloj, y apriételo con un par de 35 Nm.
3. Enrosca el pedal derecho en la biela derecha, en sentido de las agujas del reloj, y apriételo con un par de 35 Nm.

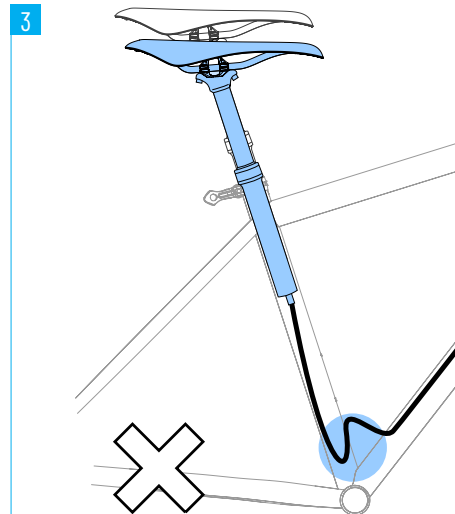
## // MONTAJE DEL SILLÍN



Desenrosca los tornillos de la abrazadera del sillín y retira la abrazadera superior.



1. Coloca la abrazadera superior en el soporte del sillín.
2. Endereza el sillín según tus preferencias y enrosca los tornillos de tope.



Ajusta la altura del sillín:

Atención: Al ajustar la altura del sillín, se debe desplazar adelante el cable de la tija, para evitar que se doble y sufra daños.

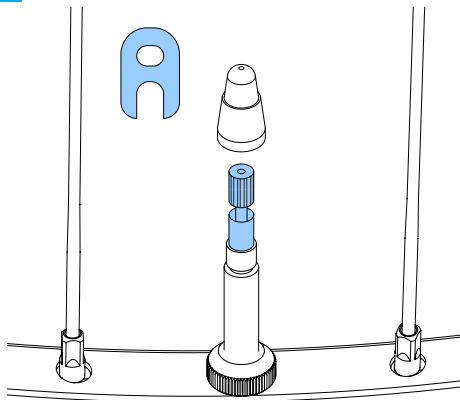
1. Abre la abrazadera del sillín.
2. Con cuidado y despacio introduce o saca la tija del cuadro. Al mismo tiempo, empuja o tira del cable por la abertura del cuadro.
3. Cierra la abrazadera del sillín.

## // INFLAR LOS NEUMÁTICOS

Si has comprado una bicicleta sin Tubeless Setup, infla los neumáticos a una presión de unos 2 bares.

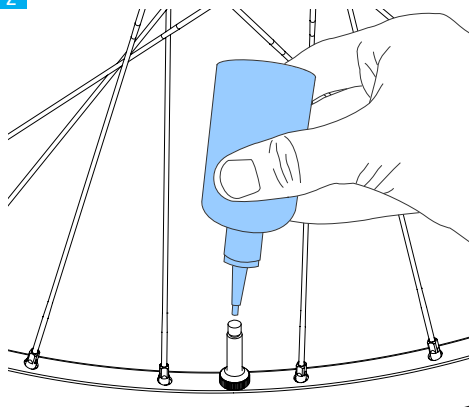
Si has comprado una bicicleta con Tubeless Setup, rellena ambos neumáticos con el líquido sellante que se adjunta antes de tu primera salida.

1



1. Deja salir el aire del neumático por completo.
2. Desenrosca la tapa de la válvula.
3. Desenrosca el obús de la válvula con la llave suministrada.

2

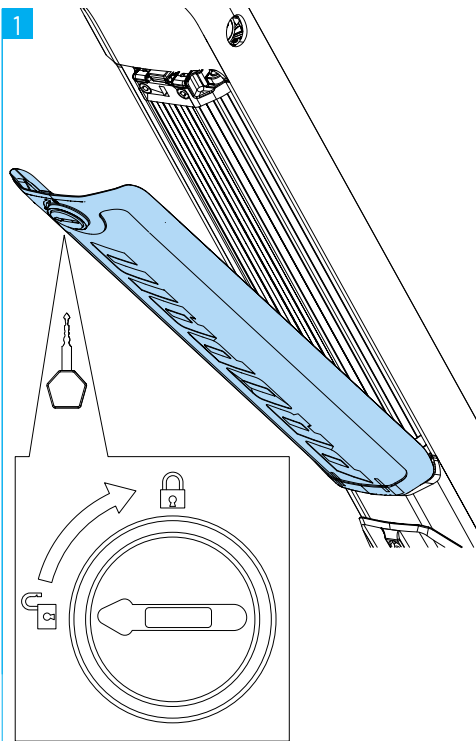


1. Agita el líquido sellante suministrado durante un minuto aproximadamente.
2. Llena el neumático con líquido sellante a través de la válvula. Se deben utilizar unos 60 ml de líquido sellante por neumático.
3. Gira el obús con la llave de válvula y apriétalo a mano.

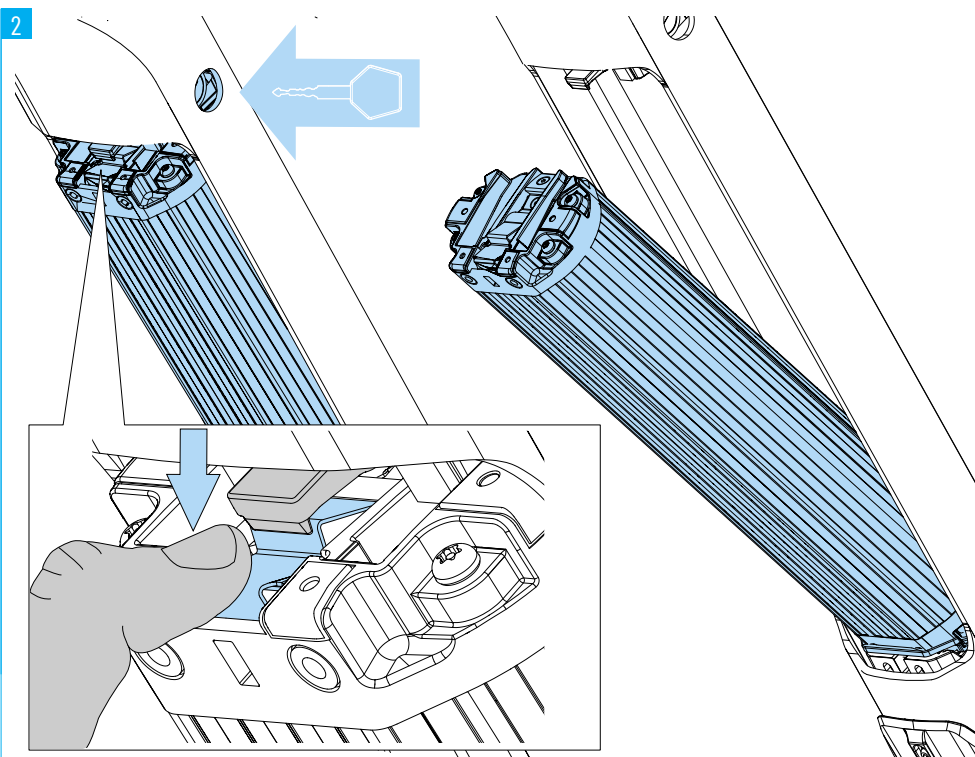
3

1. Infla los neumáticos a unos 2 bares.
2. Revisa que los neumáticos estén bien colocados.
  - El neumático debe descansar uniformemente en toda la circunferencia de la llanta. Si no, suelta presión de aire, coloca el neumático en el fondo de la llanta y repite el procedimiento.
  - En caso de duda consulte a un experto para que revise si los neumáticos están bien colocados.
3. Gira y agita la rueda lentamente para repartir el líquido sellante por toda la superficie interior del neumático.
4. Cuando el neumático se haya sellado, reduce la presión del neumático a la presión deseada.
5. Enrosca la tapa de la válvula.
6. Haz un breve trayecto de prueba y comprueba la presión de los neumáticos con regularidad.

## //DESMONTAJE DE LA BATERÍA

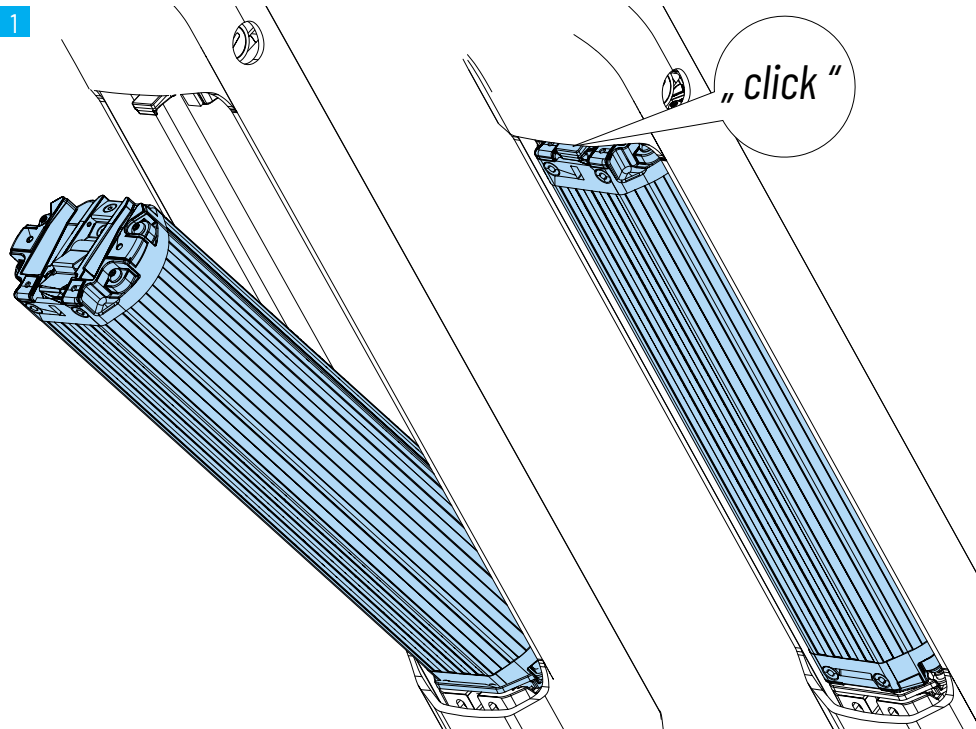


1. Pon la llave en la cerradura de la tapa y gírala en sentido contrario a las agujas del reloj.
2. Gira la tapa hacia abajo y retírala.

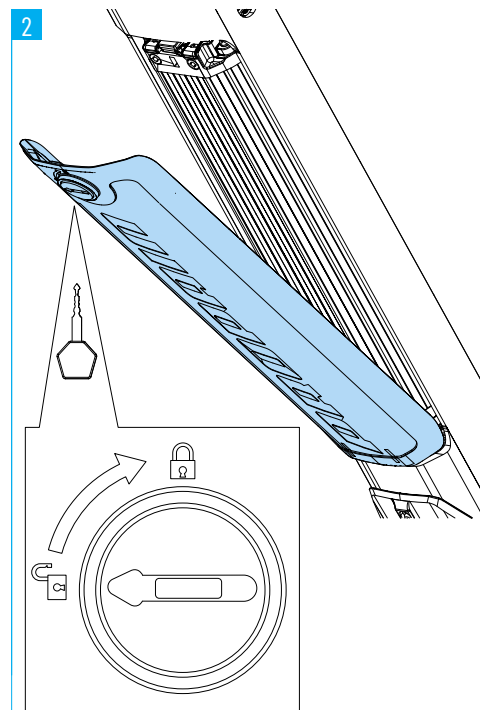


1. Pon la llave en la cerradura de la batería y gírala en el sentido de las agujas del reloj.  
→ La batería se bloquea para que no pueda sacarse.
2. Aguenta la batería con firmeza, pulsa el desbloqueo a mano, gira la batería hacia abajo y retírala.

## // MONTAJE DE LA BATERÍA



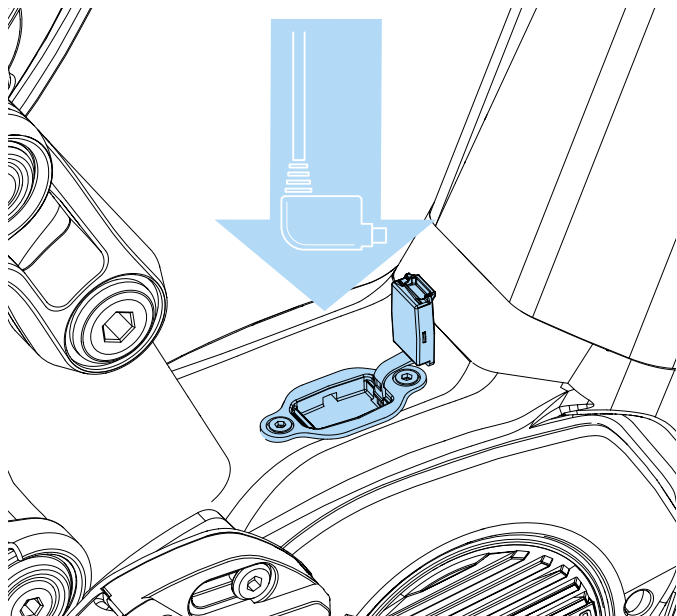
1. Coloca el extremo inferior de la batería en la guía inferior.
2. Gira la batería hacia arriba hasta que encaje en la cerradura.  
→ Cuando la batería encaja en la cerradura, se escucha un «clic».
3. Comprueba que la batería está bien colocada.



1. Coloca el extremo inferior de la tapa en la guía inferior y gira la tapa hacia arriba.
2. Pon la llave en la cerradura de la tapa y girala en el sentido de las agujas del reloj.
3. Comprueba que la tapa está bien colocada.

## // CARGAR LA BATERÍA

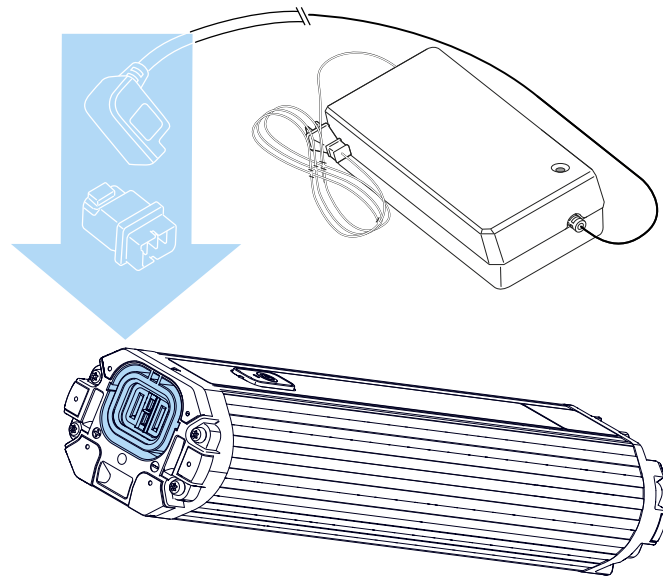
### 1 // CARGAR LA BATERÍA MONTADA



Antes de cargar y utilizar la batería, hay que leer su manual de instrucciones.

1. Retira el capuchón del puerto de carga.
2. Conecta el cargador a la toma de carga de la batería y enchúfalo a una toma de corriente.  
→ La batería está completamente cargada cuando el LED del cargador se apaga.

### 2 // CARGAR LA BATERÍA DESMONTADA

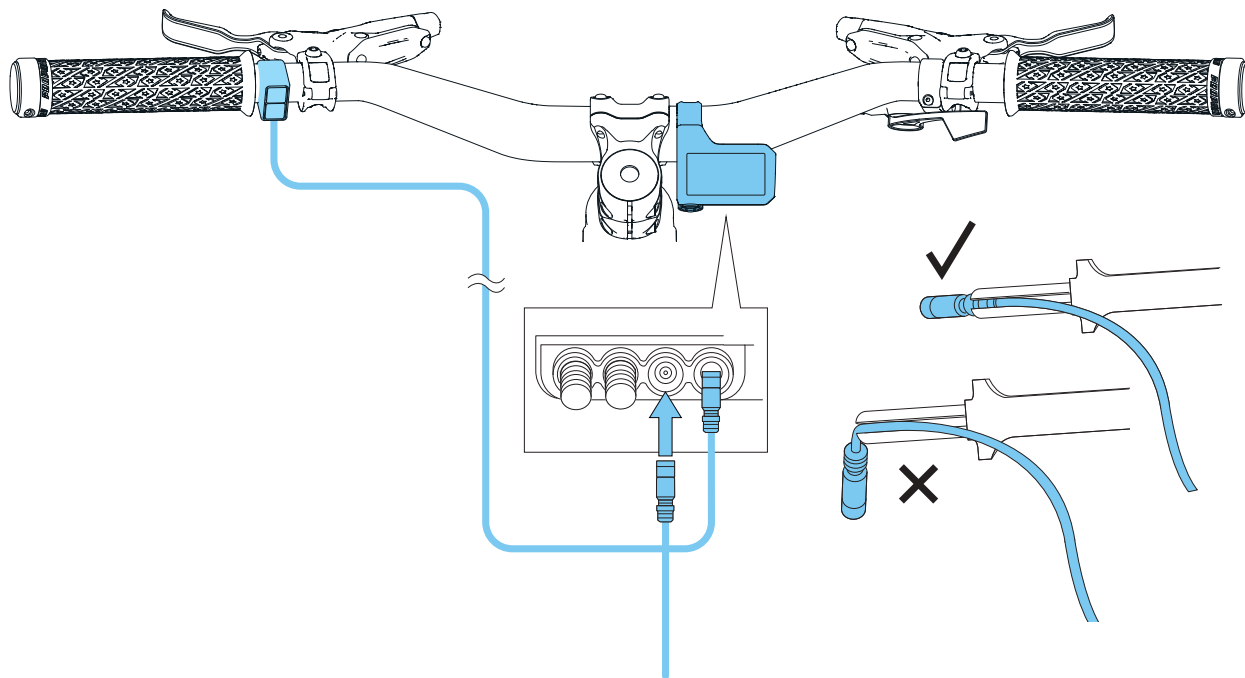


Antes de cargar y utilizar la batería, hay que leer su manual de instrucciones.

1. Saca la batería (consulta la página anterior).
2. Enchufa el adaptador a la toma de carga de la batería.  
Encontrarás el adaptador en la caja con los demás accesorios.
3. Conecta el cargador a la toma del adaptador y enchúfalo a una toma de corriente.  
→ La batería está completamente cargada cuando el LED del cargador se apaga.

## // CONECTAR PANTALLA Y TRANSMISIÓN

1

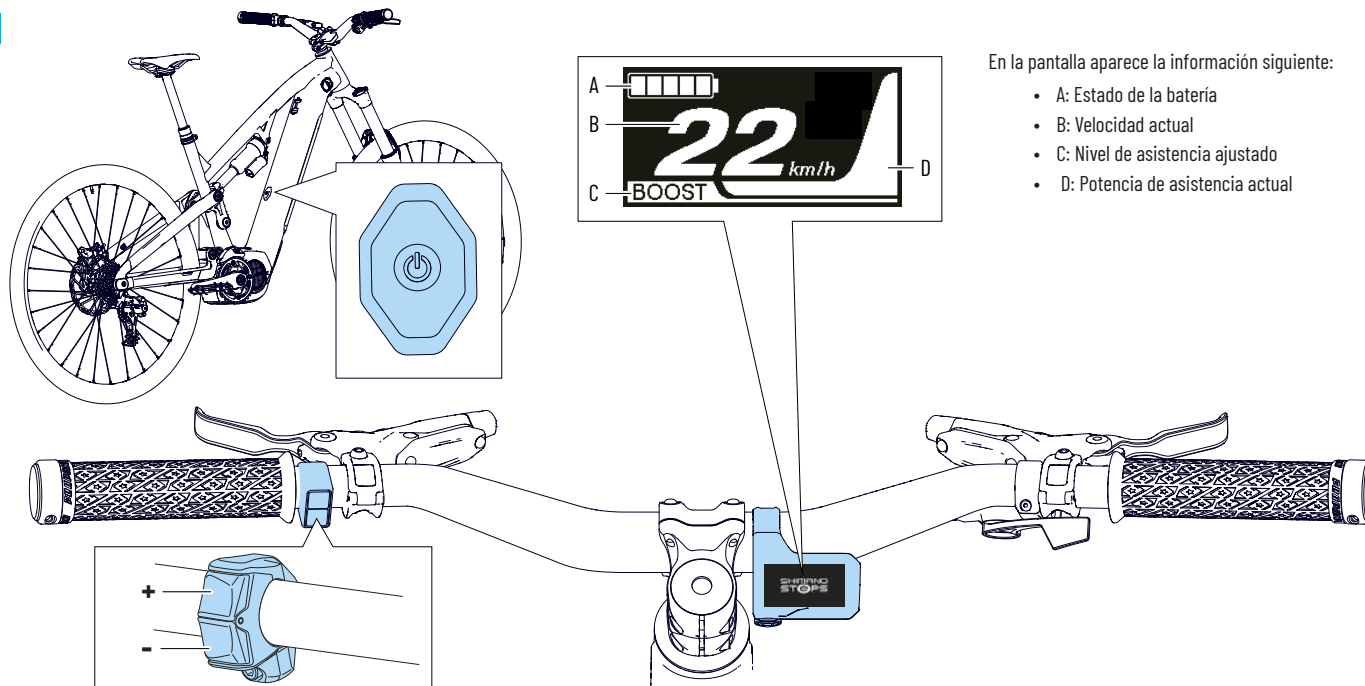


1. Utiliza la herramienta adjunta para montar a mano el conector.
2. Utilizando la herramienta, introduce con cuidado el conector del cable entre la pantalla y la transmisión, en la ranura libre de la parte inferior de la pantalla.
  - El cable no se debe doblar.
  - Debes notar cómo encaja el conector.

## // ENCENDER LA BICICLETA

Antes de su primer uso, la batería debe estar conectada al cargador para poder activarse. La bicicleta no puede encenderse sin activar y cargar la batería.

1



En la pantalla aparece la información siguiente:

- A: Estado de la batería
- B: Velocidad actual
- C: Nivel de asistencia ajustado
- D: Potencia de asistencia actual

1. Pulsa el botón ON/OFF del tubo inferior.

- Después de unos 3 segundos el sistema se activa y se enciende la pantalla del manillar.
- Durante la activación los pedales no deben estar sometidos a ninguna carga. El sistema se calibra.

2. Utiliza el interruptor basculante del manillar para ajustar el nivel de asistencia. Con el interruptor basculante superior aumentas la asistencia, mientras que con el inferior la reduces.

- Puedes elegir entre tres niveles de apoyo: ECO, TRAIL y BOOST.



## // AJUSTAR LA SUSPENSIÓN

La bicicleta se entrega con un ajuste básico en la suspensión. Antes de realizar la primera salida, la presión del aire de la suspensión se debe ajustar a tu peso.

1



1. Desenrosca la tapa de la válvula del amortiguador/horquilla.
2. Enrosca la bomba del amortiguador e infla el amortiguador/horquilla a la presión deseada.
  - Observa las instrucciones de funcionamiento de la bomba del amortiguador.
  - Recomendamos para la horquilla un SAG de 15% - 20% y para el amortiguador, 20% - 30%.  
En cuanto a la presión del aire es imprescindible observar las especificaciones del fabricante de la suspensión. Se adjunta el manual correspondiente.
3. Desenrosca la bomba del amortiguador y enrosca la tapa de la válvula.

\* La presión de aire de la suspensión se ajusta con el llamado SAG (recorrido negativo). El SAG es la medida por la cual el amortiguador y la horquilla se comprimen por el propio peso del piloto. Para averiguar el SAG, siéntate en la bicicleta con el equipo completo (casco, mochila, zapatos, etc.) y colócate en una posición normal de conducción. Al desenroscar la bomba del amortiguador no puede salir aire.

## // ANTES DE LA PRIMERA SALIDA

### 1 NORMAS DE USO



**Kategorie (siehe Anleitung) 4**  
**Category (see manual)**

Zulässige Gesamtmasse  
Permissible total mass  
max. **130Kg**

Anleitung vor ersten  
Gebrauch lesen!  
Read manual  
before use!

Observa las normas básicas para la EKANO:

#### USO PREVISTO

El ámbito de uso de las bicicletas se divide en cinco categorías que van desde la conducción por carreteras asfaltadas hasta los descensos (*downhill*) o el *freeride*. La EKANO solo puede utilizarse de acuerdo con las disposiciones de la categoría 4 o inferior. Puedes encontrar los detalles en las instrucciones de funcionamiento de tu bicicleta.

#### PESO TOTAL PERMITIDO

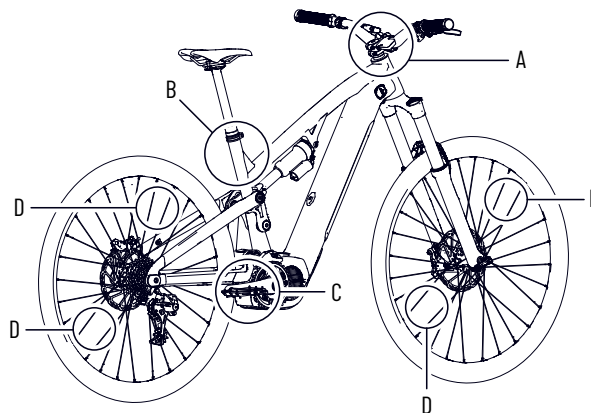
El peso máximo permitido (ciclista + bicicleta + equipo + equipaje) es de 130 kg y no puede sobrepasarse.

#### INSTRUCCIONES DE FUNCIONAMIENTO

Además de este manual, consulta también el manual de funcionamiento de tu bicicleta. Se debe leer y entender toda la información que contiene antes de utilizarla.

### 2 NORMAS SEGÚN LA LEY DE HOMOLOGACIÓN DEL TRANSPORTE POR CARRETERA (STVZO)

Si quieres usar la EKANO en carreteras públicas, se debe montar una luz delantera y una trasera, un reflector blanco hacia adelante, un reflector rojo hacia atrás, y reflectores de radios. Si con posterioridad montas otros pedales, asegúrate de que tienen reflectores amarillos tanto hacia adelante como hacia atrás. Puede que fuera de Alemania se apliquen requisitos legales distintos.



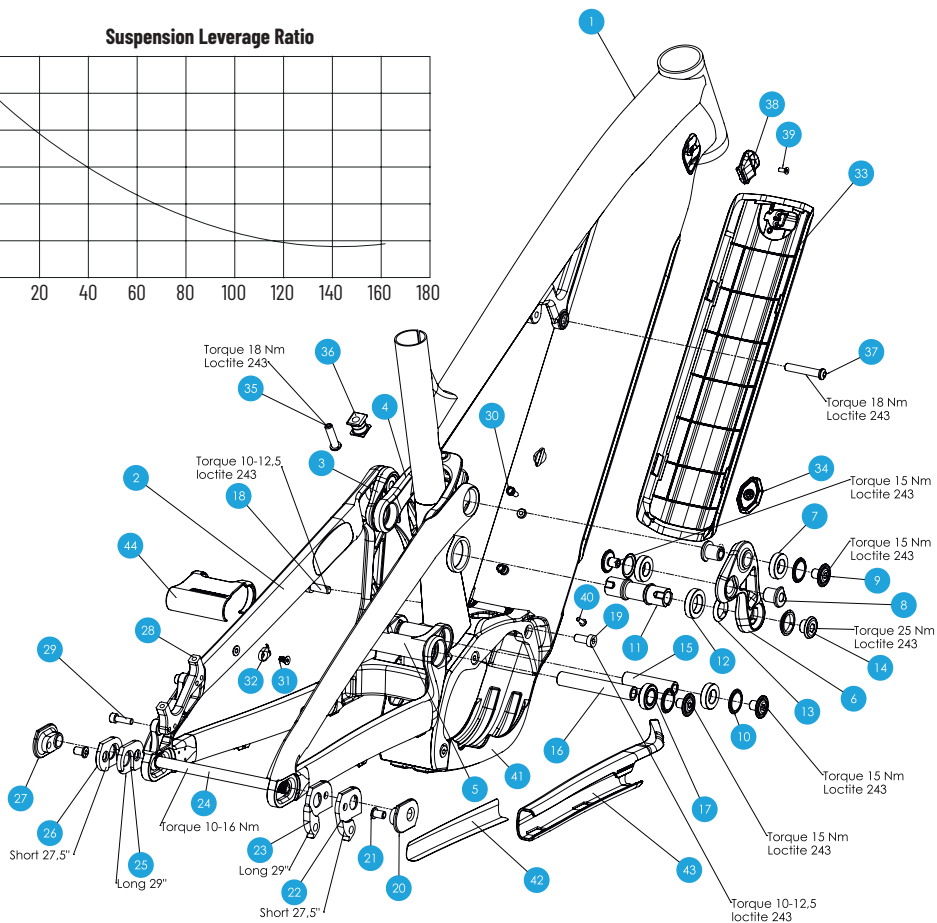
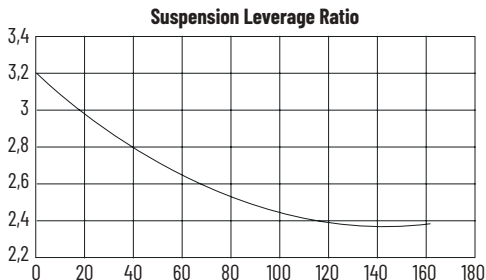
Pos.	Nombre	Advertencias especiales
A	Luz delantera y reflector blanco	Al anochecer, de noche o cuando las condiciones de visibilidad así lo requieran se deben usar las luces delantera y trasera y los reflectores. Tanto las luces como los reflectores deben estar bien fijados durante el trayecto y asegurados contra un ajuste involuntario en condiciones normales de marcha. Además, deben estar siempre en funcionamiento. La luz delantera debe estar ajustada de tal manera que no deslumbre a los demás usuarios de la carretera. Las luces y los reflectores no deben estar tapados.
B	Luz trasera y reflector rojo	
C	Reflectores del pedal	Ambos pedales deben tener reflectores amarillos visibles por delante y por detrás.
D	Reflectores de radios	En la rueda delantera y trasera se deben colocar dos reflectores de radios.

## // ANTES DE LA PRIMERA SALIDA

Antes de tu primera salida, comprueba todas las funciones básicas de tu bicicleta para descartar errores de montaje o daños de transporte. En caso de haber algún defecto o fallo en la bicicleta, un técnico en mecánica de bicicletas debe revisarla y reparar las deficiencias. Jamás conduzcas una bicicleta defectuosa o estropeada.

<b>RUEDAS / CUBIERTAS</b>	Una después de otra levanta las ruedas delantera y trasera y haz que giren. <ul style="list-style-type: none"><li>→ Las ruedas deben girar con suavidad.</li><li>→ Las ruedas deben girar rectas, sin saltos laterales o verticales.</li><li>→ Las cubiertas no deben tocar el cuadro en ningún momento.</li></ul>
	Comprobar la presión de los neumáticos. <ul style="list-style-type: none"><li>→ La presión de los neumáticos debería ser de unos 2 bares. No se debe superar la presión máxima de la rueda y del neumático utilizado.</li></ul>
	Compruebe el par de apriete de los ejes. <ul style="list-style-type: none"><li>→ La palanca del eje de la rueda delantera debe quedar bien cerrada.</li><li>→ El eje de la rueda trasera se debe apretar solo a 12 Nm.</li></ul>
<b>ACCESORIOS</b>	Comprueba que la potencia esté bien colocada: Ponte delante de la bicicleta, sujeta la rueda delantera entre tus rodillas e intenta girar el manillar. <ul style="list-style-type: none"><li>→ El manillar no se puede torcer ejerciendo una fuerza normal.</li></ul>
	Comprueba el juego del rodamiento de la dirección: Colócate al lado de su bicicleta, acciona la maneta del freno delantero y mueve la bicicleta lentamente de un lado a otro. <ul style="list-style-type: none"><li>→ No se debe detectar ningún tipo de juego en los rodamientos de la dirección.</li></ul>
	Comprueba que todos los accesorios estén bien colocados <ul style="list-style-type: none"><li>→ Los accesorios sueltos se deben apretar con el par de apriete requerido. En caso de duda, ponte en contacto con el servicio técnico de Propain.</li></ul>
<b>CUADRO</b>	Revisa el cuadro para ver si hay daños y deformaciones. <ul style="list-style-type: none"><li>→ No debe presentar ningún daño.</li></ul>
<b>HORQUILLA / AMORTIGUADOR</b>	Siéntate en la bicicleta con el equipo completo (casco, mochila, zapatos, etc.) y colócate en una posición normal de conducción. <ul style="list-style-type: none"><li>→ Recomendamos un SAG de 15% - 20% en la horquilla y 20% - 30% en el amortiguador.</li><li>→ Si es necesario, cambia la presión de aire de la suspensión. Si el amortiguador tiene muelle de acero, al hacer el pedido ya has elegido una dureza adecuada a tu peso. Puedes encontrar los detalles en las instrucciones de funcionamiento de tu bicicleta.</li></ul>
<b>FRENOS</b>	Comprueba la fuerza de frenado: Estando parado, acciona las dos manetas de freno una tras otra y mueve la bicicleta hacia adelante y hacia atrás. <ul style="list-style-type: none"><li>→ Cuando se accionan los frenos, las ruedas delantera y trasera se deben bloquear.</li></ul>
	Revisa los cables y uniones de los frenos para ver si hay daños o fugas de líquido de frenos. <ul style="list-style-type: none"><li>→ No se deben apreciar derrames de líquido de frenos en las uniones de los cables.</li></ul>
	Realiza el rodaje de las pastillas de freno. Escoge una carretera sin tráfico y frene de 20 a 30 veces con un freno pasando de 30 a 5 km/h. Las frenadas debe ser lo más fuertes posibles sin que ninguna de las ruedas se bloquee. A continuación, repite el proceso con el otro freno. Sólo entonces el sistema de freno puede desarrollar toda su potencia de frenado.

## // ESPECIFICACIONES TÉCNICAS



## EKANO - Standards

Maximun fork length	170mm
Shock length	230 mm
Shock travel	57,5 / 62,5 mm
Shock mount top	8mm x 25mm
Shock mount bottom	Propain custom flipchip set
Rear wheel travel	150 / 165mm
Brake mount	Post mount 203
Seat post diameter	31,6mm
Head set (S.H.I.S.)	Top: ZS44 / Bottom: ZS56
Rear wheel axle	Sixpack axle (Boost)
Rear hub width	148mm (Boost)
Tire size	27,5" / 29" / Mix
Engine	Shimano E8000 series DUE8000A
Chain guide	Shimano SM-CDE80
Battery	Shimano BT-E8035
Charging port	Shimano EW-CP100
Speed sensor	Shimano SM-DUE11

NO	Propain partnumber-version	Description	QTY.
1	000874-AE	Ekano_Main_frame	1
2	000916-AE	Rear_triangle	1
3	000952-AE	Lever_high_left_e-bike	1
4	000925-AG	Yoke_e-Bike	1
5	000846-AB	Lever_low_e-Bike	1
6	000952-AE	Lever_high_right_e-bike	1
7	000006-AA	Bearing_15x28x7	6
8	000879-AA	Axle_15x16,5_M10x1	4
9	000600-AB	15mm_Axle_Cap	8
10	000602-AB	Dust_cap_seal	8
11	000366-AB	Upper_lever_axle	1
12	000367-AA	Bearing_20x32x7	2
13	000368-AB	Clamp_ring	4
14	000369-AB	Axle_cap_M14x1	2
15	000848-AA	Axle_15dia_63mm_M10x1	1
16	000849-AA	Axle_15dia_92,86mm_M10x1	1
17	000176-AA	Bearing_15x28x7_flange	2
18	000971-AA	Bolt_M8x22	3
19	000972-AA	Bolt_M8x18	3
20	000508-AA	Dropout_Driveside_outer	1
21	000518-AA	Bolt_M8x0.75x12_chainring-style	2
22	000523-AA	Hanger_short	1

NO	Propain partnumber-version	Description	QTY.
23	000511-AA	Hanger_long	1
24	000926-AA	Propain_Sixpack_X12_axle	1
25	000510-AA	Dropout_Nonedriveside_inner_long	1
26	000524-AA	Dropout_Nonedriveside_inner_short	1
27	000509-AA	Dropout_Nonedriveside_outer	1
28	000516-AB	Brake_adapter_E-bike	1
29	000520-AA	Bolt_M6x20_DIN912	2
30	000733-AA	Bolt_M5x15	2
31	000236-AA	Bolt_M5x10_countersunk_DIN7991	2
32	000057-AA	Cable_guide_1	2
33	001192-AA	Battery_cover_complete	1
34	000942-AE	Swith_on-off_e-bike	1
35	000903-AA	Bolt_M8x35_custom	1
36	000950-AA	Flipship_set_e-bike	1
37	000878-AA	Bolt_M8x35_custom	1
38	000933-AA	Cable_guide_top_e-bike	2
39	000019-AA	Bolt_M4x10_countersunk	2
40	000521-AA	Bolt_M4x12_roundhead_ISO 7380-1	3
41	001089-AD	DT_&_Motor_protector_E-bike	1
42	000946-AA	Seat_stay_protector	1
43	000987-AF	chain_stay_protector	1
44	000970-AB	lever_low_protector	1

## // MANUAL DE INSTRUCCIONES

### CONSTRUIMOS LA MEJOR BICI PARA TI/WE BUILD THE BEST BIKE FOR YOU

Felicidades por tu bicicleta nueva y gracias por confiar en nosotros.

Y ahora, directos a la bici. Bueno, casi. Aunque su montaje no exige mucho, tómate el tiempo necesario para ajustar la bicicleta correctamente y lee toda la información de seguridad de este manual de instrucciones. Con el ajuste correcto conducirás con seguridad y, además, disfrutarás mucho más. Nuestros manuales te enseñan paso a paso a montar tu bicicleta correctamente y te facilitan toda la información que necesitas. Así, en poco tiempo estarás ya familiarizado con tu bici.

Ha llegado el momento de sacar tu bici de la caja. Es mejor disponer de un poco de espacio para el montaje. Nuestras bicicletas vienen pre-montadas para que no sea necesario tener un taller especializado en casa o ser mecánico profesional. ¿No sabes cómo seguir? Contacta fácilmente con nuestro Servicio de Atención al Cliente en la dirección [info@propain-bikes.com](mailto:info@propain-bikes.com) o llamando al +49 (0)751 201 802 22. Juntos encontraremos una solución. Y una petición más: queremos que te diviertas con tu bici y que, además, lo hagas con seguridad. Si tienes dudas sobre el montaje, contacta con un profesional, ya que no podemos asumir ninguna responsabilidad por caídas y lesiones debidas a un montaje o un uso incorrectos. ¿Listo? Entonces solo nos queda desearte que disfrutes al máximo de tu nueva bicicleta.

P.D.: Nos encantará ver tus mejores fotos en [#propainbicycles](#)

PS: We are happy about your best pictures at [#propainbicycles](#)

## 1. ADVERTENCIAS ESPECIALES PARA PADRES, TUTORES Y PERSONAS RESPONSABLES

Este manual de instrucciones es válido tanto para las bicicletas de adultos, como para las de adolescentes y niños. Puede que su hijo o hija ya utilice una bicicleta del tamaño de adulto.

Cualquier persona responsable del cuidado o la supervisión del niño deben conocer, comprender y respetar los siguientes puntos.



### PELIGRO

#### RIESGO DE ACCIDENTES POR IMPRUDENCIA Y FALTA DE SENTIDO DE LA RESPONSABILIDAD DEL NIÑO.

A menudo los niños no pueden evaluar correctamente los riesgos y les falta la experiencia y el sentido de la responsabilidad necesarios para usar una bicicleta de forma segura.

- Los padres, tutores o supervisores son responsables del uso seguro y el perfecto estado de la bicicleta del niño.
- Los puntos especificados en esta página se deben respetar en cada salida.
- En caso de duda, consulta con un técnico en mecánica de bicicletas o con el servicio técnico de PROPAIN.

Como padre/madre, tutor o supervisor eres responsable la seguridad del niño y de las actividades que realiza.

Por consiguiente, son responsabilidad tuya los siguientes puntos:

- Debes leer este manual de instrucciones y explicar las advertencias, las funciones y el uso de la bicicleta a su hijo antes de dejarle montar en ella.
- Debes ajustar la bicicleta correctamente al niño, o hacer que se la ajusten.
- Debes asegurarte de que la bicicleta esté siempre en perfectas condiciones.
- Tanto tú como el niño deben haber aprendido y entendido el funcionamiento de la bicicleta de forma segura. Las primeras salidas se deben centrar en enseñar al niño a frenar y usar la bicicleta con seguridad.
- Tanto tú como el niño deben haber aprendido, entendido y respetado, no sólo las normativa local sobre de vehículos de motor, bicicletas y tráfico, sino también las normas de sentido común para un ciclismo seguro y responsable.
- Debes asegurarse de que tu hijo lleve siempre un casco de ciclista homologado cuando vaya en bicicleta, pero también de que entienda que un casco de ciclista solo es apto para el ciclismo y debe quitárselo cuando no vaya en bicicleta. Jamás se debe usar el casco mientras se juega, en el parque infantil, en los columpios o juegos infantiles, trepando a los árboles, o cuando no se va en bicicleta. El incumplimiento de esta advertencia puede causar lesiones graves o incluso la muerte.
- La supervisión de los padres es necesaria cuando se usa una bicicleta infantil.

## // MANUAL DE INSTRUCCIONES

- El adulto supervisor debe observar en todo momento si el niño evalúa correctamente las situaciones y si la bicicleta está bajo control en función de las exigencias del entorno.
- Debes asegurarte de que la bicicleta es del tamaño adecuado para el niño. Ambos pies deben tocar el suelo cuando el niño está sentado en el sillín.

## 2. INFORMACIÓN GENERAL

Este manual de instrucciones es la pieza fundamental para hacer un buen uso y mantenimiento de tu bicicleta, de forma segura y evitando posibles daños. Está concebido para mostrarte los aspectos básicos más importantes de tu bicicleta y ofrecerte consejos útiles durante toda la vida de tu bicicleta. Si tienes dudas sobre los trabajos que deben realizarse en tu bicicleta, es necesario que consultes a un técnico en mecánica de bicicletas o ponerte en contacto con el servicio técnico de PROPAIN. Este manual de instrucciones se debe leer y entender antes de utilizar la bicicleta por primera vez. Asegúrate de que los posibles terceros que utilicen la bicicleta también estén informados sobre el contenido de este manual, que lo entiendan y respeten sus indicaciones. Guarda manual para poderlo consultar en el futuro. En caso de vender o regalar la bicicleta, entrega también este manual de instrucciones.

Este manual de instrucciones también está disponible en [www.propain-bikes.com](http://www.propain-bikes.com).

### 2.1 SIGNIFICADO DE LOS SÍMBOLOS UTILIZADOS



#### PELIGRO

...señaliza un peligro de riesgo alto, que puede causar lesiones graves o la muerte si no se evita.



#### PRECAUCIÓN

...señaliza un peligro de riesgo bajo, que puede causar lesiones leves o moderadas si no se evita.



#### ADVERTENCIA

...indica un peligro que puede causar daños materiales.



## 2.2 DESTINATARIOS

El destinatario de este manual eres tú, el propietario de la bicicleta PROPAIN. Para el montaje y mantenimiento de la bicicleta es imprescindible contar de antemano con conocimientos básicos sobre mecánica de bicicletas. En caso de duda, será necesario consultar a un técnico en mecánica de bicicletas. Un montaje o mantenimiento incorrectos de su bicicleta puede ser causa de accidentes graves con peligro de muerte.

## 2.3 REQUISITOS PARA EL CICLISTA

El ciclista debe ser capaz, mental y físicamente, de conducir la bicicleta con seguridad durante un período y una distancia prolongados. Se recomiendan cursos especiales de conducción para los que empiezan, que ya dan sus primeros pasos y los que se reincorporan tras largo tiempo sin montar en bicicleta.

## 2.4 MANUALES DE INSTRUCCIONES DE LOS FABRICANTES DE COMPONENTES

Este manual de instrucciones contiene toda la información necesaria para usar la bicicleta con seguridad. Además de este manual, tu bicicleta puede ir acompañada de información sobre el producto o de manuales de instrucciones de distintos fabricantes de componentes. Si es necesario, se puede obtener más información sobre, por ejemplo, los trabajos de montaje y ajuste, así como información específica sobre el producto. Puede ser que los manuales de instrucciones de los distintos fabricantes solo estén disponibles en línea (ver también «8.4 Más información»).

## 2.5 HERRAMIENTAS

Los trabajos que deben realizarse en la bicicleta solo pueden llevarse a cabo con las herramientas adecuadas. Los elementos de fijación roscados se deben apretar con una llave dinamométrica y a un par determinado. Solo se puede garantizar un montaje o desmontaje perfectos de los componentes si se utilizan herramientas que funcionan correctamente y no presentan daños.

## 2.6 PARTICULARIDADES DE CARBONO COMO MATERIAL

Los cuadros de carbono no deben sujetarse (por ejemplo, en un soporte de montaje) ni someterse a ningún otro tipo de presión. Los componentes de carbono siempre se deben apretar con el par especificado. Los daños que sufren los componentes de carbono no siempre se aprecian de inmediato. En caso de duda, será necesario consultar a un técnico en mecánica de bicicletas. Los componentes de carbono tienen una vida útil limitada. El manillar, la tija del sillín, la potencia, las bielas y las ruedas de carbono deben sustituirse a intervalos regulares (por ejemplo, cada tres años). El

## // MANUAL DE INSTRUCCIONES

calor intenso causa daños permanentes en la estructura del carbono. Los componentes de carbono no deben guardarse cerca de fuentes de calor o exponerse a la radiación solar directa en el interior de un vehículo.

### 2.7 MONTAJE DE ACCESORIOS

Los remolques para bicicletas solo pueden fijarse al eje de la rueda trasera de la bicicleta con los dispositivos especiales para ello. El elemento de unión entre el remolque y el cuadro de la bicicleta no debe tocar el cuadro de la bicicleta. No se pueden utilizar sillas portabebés y remolques que van sujetos mediante abrazadera a la tija del sillín o al cuadro. No se pueden fijar portaequipajes ni a la tija del sillín ni al cuadro. Antes de montar cualquier accesorio, consulte primero el manual de instrucciones del fabricante de dicho accesorio. No se debe sobrepasar el peso máximo del sistema (ver «2.10 Límite de peso») ni siquiera estando los accesorios montados.

### 2.8 RECAMBIOS

Los componentes de la siguiente lista se deben comprobar regularmente y cambiar cuando sea necesario:

- Batería / transmisión
- Cubiertas y cámaras
- Llantas
- Discos y pastillas de freno
- Rodamientos (dirección, eje pedalier, rodamientos del triángulo trasero, rodamientos del buje)
- Cadena, cassette y plato
- Manillares, potencias y puños
- Sillines y tijas de sillín
- Grasa, lubricante, aceite hidráulico y líquido de frenos
- Cables y fundas de cable
- Horquillas y amortiguadores triángulo trasero
- Adhesivos y pintura

## 2.9 SUSTITUCIÓN DE COMPONENTES

Este manual de instrucciones es válido con tu bicicleta en su estado original. En el caso de las bicicletas eléctricas, la sustitución de componentes está sujeta a normas especiales. Encontrarás información sobre ello en el capítulo «8.2 Sustitución de componentes». En caso de sustituir componentes, la responsabilidad es siempre del usuario y debe realizarse consultando antes a técnico en mecánica de bicicletas o al servicio técnico de PROPAIN. Puede que la sustitución de componente implique cambios en la garantía.

## 2.10 LÍMITE DE PESO



### PELIGRO

SI SE SOBREPASA EL PESO MÁXIMO DEL SISTEMA, EXISTE RIESGO DE ACCIDENTE.

El peso máximo del sistema es la suma de los pesos del ciclista, la bicicleta, el equipo (casco, mochila, zapatos, ropa) y el equipaje. Si se sobrepasa el peso máximo del sistema, los componentes pueden debilitarse y que fallen de forma repentina e incontrolada.

EL PESO MÁXIMO DEL SISTEMA DE LAS E-MTBS PROPAIN ES DE 130 KG.

El peso máximo del sistema no debe sobrepasarse. Si se sustituyen componentes, su peso máximo del sistema no debe ser inferior al de la bicicleta.

## // MANUAL DE INSTRUCCIONES

### 2.11 EXENCIÓN DE RESPONSABILIDAD

Las actividades mencionadas en el presente manual deben ser realizadas por personas que cuenten con experiencia suficiente. El usuario es responsable de los posibles daños causados por un:

- Uso no conforme al previsto (ver «3.5 Uso previsto»)
- Incumplimiento de las normas de seguridad
- Montaje, reparación y mantenimiento incorrectos
- Uso de repuestos y accesorios no autorizados
- Modificación del estado estructural

En caso de duda, se debe consultar a un técnico en mecánica de bicicletas o al servicio técnico de PROPAIN.

## 3. SEGURIDAD

### 3.1 SEGURIDAD GENERAL



#### PELIGRO

##### RIESGO DE LESIONES POR FALTA DE EQUIPOS DE SEGURIDAD

Un equipo de seguridad eficaz contribuye de forma muy valiosa a la seguridad personal.

- Usa casco en cada salida.
- Si el recorrido es *off-road*, usa protecciones en rodillas, codos y espalda, así como guantes y un casco completo.
- Usa siempre ropa muy visible y reflectante.



## PELIGRO

### PELIGRO DE ACCIDENTES POR COMPONENTES MAL MONTADOS.

Los componentes mal montados pueden aflojarse o romperse durante el trayecto.

- El montaje debe realizarse de acuerdo con las instrucciones de montaje.
- En caso de duda, consulta con un técnico en mecánica de bicicletas o con el servicio técnico de PROPAIN.



## PELIGRO

### PELIGRO DE ACCIDENTE POR USAR EL ORDENADOR DE A BORDO MIENTRAS SE CONDUCE.

Leer las indicaciones del ordenador de a bordo o cambiar sus ajustes te distraen de la conducción. Ello puede desencadenar en accidentes al no reaccionar o reaccionar tarde en las maniobras.

- Si quieres introducir ajustes en tu ordenador de a bordo más allá de cambiar el nivel de asistencia, para y hazlo en una zona protegida del tráfico.



## PELIGRO

### PELIGRO DE ACCIDENTE POR LA MENOR POTENCIA DE FRENADO DE PASTILLAS DE FRENO A LAS QUE NO SE LES HA HECHO EL RODAJE.

Los frenos de disco solo pueden desarrollar toda su potencia de frenado después de que se haya llevado a cabo cuidadosamente el rodaje de las pastillas de freno. Para ello, escoja una carretera sin tráfico.

- Frena entre 20 y 30 veces con el freno delantero o trasero pasando de 30 km/h a 5 km/h y luego repite el proceso con el otro freno. Las frenadas debe ser lo más fuertes posibles sin que ninguna de las ruedas se bloquee.
- Para ello también consulta las instrucciones del fabricante del freno (ver también «8.3 Más información»).

## // MANUAL DE INSTRUCCIONES

### PELIGRO

#### PELIGRO DE ACCIDENTE POR FALLO REPENTINO DE COMPONENTES PREVIAMENTE DAÑADOS

Sufrir una caída o realizar maniobras de conducción no previstas pueden causar daños en los componentes de la bicicleta sin que se aprecien. Los componentes previamente dañados pueden deformarse o romperse durante el trayecto.

- Revise los componentes regularmente y después de una caída o accidente para detectar posibles daños o fallos en su funcionamiento.
- Los componentes sometidos a grandes esfuerzos los debe revisar regularmente un técnico en mecánica de bicicletas y sustituir si es necesario. Los componentes dañados se deben reemplazar de inmediato.

### PELIGRO

#### RIESGO DE LESIONES POR ACTIVACIÓN INVOLUNTARIA DEL SISTEMA ELÉCTRICO DE LA BICICLETA.

- Antes de realizar cualquier trabajo en la bicicleta eléctrica (por ejemplo, una inspección, reparación, montaje, mantenimiento, trabajo en la cadena, etc.) antes de transportarla (en un vehículo, avión, etc.) y antes de almacenarla, se debe retirar la batería.

### PELIGRO

#### PELIGRO DEBIDO AL INCREMENTO DEL RENDIMIENTO O AL SOBREPASAR EL LÍMITE DE VELOCIDAD DE LA BICICLETA ELÉCTRICA.

Manipular la bicicleta eléctrica crea riesgos incalculables en materia de responsabilidad, además del peligro de un fallo repentino de los componentes sometidos a una carga excesiva.

- No está permitido realizar ningún cambio en el sistema de las bicicletas eléctricas.
- No está permitido podrán instalar ningún componente para aumentar el rendimiento de la bicicleta eléctrica.
- Hacer un mal uso del sistema de la bicicleta eléctrica pone en peligro tu seguridad y la de otros usuarios de la vía pública.
- En caso de accidente causado por una manipulación, se arriesga a una multa de responsabilidad civil y a un posible enjuiciamiento penal.
- Todos los componentes han sido diseñados de acuerdo con los datos de rendimiento originales de la bicicleta eléctrica. Si los componentes se someten a mayores cargas, se produce una sobrecarga, una reducción de su vida útil y, a largo plazo, fallan.
- En este sentido se pierde el derecho de garantía.

## 3.2 SEGURIDAD VIAL



### PELIGRO

#### PELIGRO DE ACCIDENTES POR MALA CONDUCTA EN LA VÍA PÚBLICA

El ciclista es el eslabón más débil del tráfico vial. Los accidentes en los que están implicados otros usuarios de la carretera suelen terminar con graves consecuencias para los ciclistas.

- Respetar las normas de tráfico público y todas las regulaciones de tráfico locales.
- Conduce concentrado, de forma prudente y protegiéndose. Asume siempre que los demás usuarios de la carretera no te ven.
- Usa casco y ropa muy visible y reflectante en cada salida.



### PELIGRO

#### RIESGO DE ACCIDENTES POR FALTA DE EQUIPAMIENTO PARA EL TRÁFICO VIAL.

Los equipos estipulados para bicicletas que se utilizan en las vías públicas tiene por objeto principal garantizar la visibilidad de los ciclistas. Si un ciclista no lo ven o lo ven demasiado tarde, pueden producirse accidentes con graves consecuencias.

- Tu bicicleta debe estar equipada con todos los componentes estipulados, según el país, para el tráfico vial.
- Además del riesgo de accidente, el incumplimiento de estas normas también puede dar lugar a la imposición de multas y a la pérdida de la cobertura del seguro.
- Para los viajes al extranjero o transfronterizos, respete los requisitos legales aplicables en el otro país.

## // MANUAL DE INSTRUCCIONES

### ALEMANIA

En Alemania el equipamiento necesario para el tráfico está regulado en la Ley alemana de homologación del transporte por carretera (StVZO). Si quieres utilizar tu *pedelec* en la vía pública de Alemania, debes instalar el siguiente equipo:

Nombre	Advertencias especiales
Luz delantera blanca y reflector blanco	Al anochecer, de noche o cuando las condiciones de visibilidad así lo requieran se deben usar las luces delantera y trasera y los reflectores. Tanto las luces como los reflectores deben estar bien fijados durante el trayecto y asegurados contra un ajuste involuntario en condiciones normales de marcha. Además, deben estar siempre en funcionamiento.
Luz trasera roja y reflector rojo	La luz delantera debe estar ajustada de tal manera que no deslumbre a los demás usuarios de la vía pública.
Reflectores del pedal	Ambos pedales deben tener reflectores amarillos visibles por delante y por detrás.
Reflectores de radios	En la rueda delantera y trasera se deben colocar dos reflectores de radios. Alternativa: Neumáticos con tiras reflectantes o <i>sticks</i> en cada radio.

Puede que fuera de Alemania se apliquen requisitos legales distintos.



## ESPAÑA

En España, la ordenanza que recula el equipo necesario para circular por la vía pública es la Ley del Tráfico.

Si quieres utilizar tu pedelec en la vía pública de España, debes instalar el siguiente equipo:

Nombre	Advertencias especiales
Luz delantera	De noche, al entrar en un túnel o en condiciones climáticas que reducen significativamente la visibilidad, los ciclistas deben llevar: Luz de posición delantera y trasera, reflector trasero
Luz trasera	
Reflectores traseros	
Reflectores del pedal	También se recomiendan los reflectores en radios y en pedales.
Reflectores laterales	

La Ley del Tráfico también especifica otros equipos del ciclista como, por ejemplo, casco y ropa de visibilidad, no incluidos en esta tabla.

## // MANUAL DE INSTRUCCIONES

### 3.3 SEGURIDAD EN EL USO DE LA BATERÍA

Además de estas instrucciones de seguridad, también se deben respetar las normas según «7. Transporte y almacenamiento».



#### PELIGRO

##### RIESGO DE LESIONES POR TENSIÓN ELÉCTRICA

- El enchufe, el cargador y el cable no deben estar dañados. Para evitar posibles daños, no modifiques el cable o el enchufe, no los acerques a fuentes de calor, no los dobles, retuerzas o tires de ellos, no coloques objetos pesados sobre ellos y no los aprietes al recogerlos.
- La toma de corriente a la que se conecta el cargador debe ser de 100 a 240 V CA y contar con los fusibles adecuados.
- Al enchufar y desenchufar el equipo en/de una toma de corriente, el cable nunca debe separarse del enchufe.
- En el cargador de la batería no se debe usar un transformador para adaptarlo a voltajes del extranjero (adaptador de viaje).



#### PELIGRO

##### PELIGRO DE LESIONES POR FUGA DE LÍQUIDO O VAPORES

Si la batería está dañada o se utiliza de forma inadecuada, puede sufrir fugas de líquido o gas de su interior, causando posibles irritaciones en la piel, en los ojos, irritación respiratoria o quemaduras.

- Evita el contacto con este gas o líquido de fuga.
- En caso de contacto con la piel, enjuaga la zona afectada con agua.
- En caso de contacto con los ojos, consulta con un médico.
- En caso de irritación de las vías respiratorias, procura ventilación y consulta con un médico si se presentan molestias.



## PELIGRO

### RIESGO DE LESIONES POR USO INCORRECTO O INDEBIDO DE LA BATERÍA

- La batería solo se puede usar con el sistema de bicicleta eléctrica prevista.
- La batería está diseñada para su un uso determinado en tu bicicleta eléctrica (ver «3.5 Uso previsto»). Cualquier carga adicional a la que se someta la batería puede dañarla.
- La batería está diseñada para los siguientes rangos de temperatura:
  - Carga: de 0 °C a +40 °C
  - Descarga: de -10 °C a +50 °C
  - Almacenamiento: de +10 °C a +20 °C
- Evita la descarga total de la batería al dejar de cargarla por periodos superiores a 3 meses.
- A la hora de cambiar la batería, solo se podrán utilizar los modelos admitidos.
- La batería y el cargador deben estar fuera del alcance de los niños.



## PELIGRO

### RIESGO DE LESIONES POR CARGAR LA BATERÍA DE FORMA INCORRECTA

Si la batería se carga de forma incorrecta, puede incendiarse o incendiar los materiales combustibles cerca de la misma.

- Utiliza únicamente el cargador original.
- No coloques el cargador y la batería cerca de materiales inflamables durante el proceso de carga.
- Mientras está cargando, el cargador no debe cubrirse y debe permanecer en un lugar seguro.
- El enchufe no debe estar húmedo o mojado.
- Carga la batería solo si está seca.
- La batería no debe cargarse sin supervisión.
- Si el proceso de carga tarda un tiempo inusualmente largo o se produce un error durante la carga, desconecta la batería y ponte en contacto con el servicio técnico de Propain.
- La temperatura ambiente durante el proceso de carga no debe ser inferior a 0 °C ni superior a +40 °C.

## // MANUAL DE INSTRUCCIONES



### PELIGRO

#### PELIGRO DE LESIONES POR DAÑOS EN LA BATERÍA

La batería de una bicicleta eléctrica tiene una densidad energética muy alta. En caso de que la batería sufra daños o se descargue de forma repentina, puede ser muy peligroso.

- Si la batería está dañada, ponte en contacto con el servicio técnico de Propain.
- La batería no debe utilizarse en los siguientes casos:
  - Si la batería está dañada, deformada o la carcasa presenta grietas.
  - Si la batería presenta fugas de líquido o vapor.
  - Si la batería se calienta mucho o quema.
  - Si la batería no funciona bien o falla.
- Si se da uno de los errores mencionados, deben adoptarse las siguientes medidas:
  - Aléjate lo suficiente de la batería para no inhalar los vapores y entrar en contacto con los líquidos de fuga.
  - Aparta los materiales inflamables que se encuentren cerca de la batería.
  - Asegura el lugar con espacio suficiente.
  - Deja la batería en un recipiente ignífugo o en el suelo.



### PELIGRO

#### PELIGRO DE LESIONES POR CORTOCIRCUITO, EXPLOSIÓN E INCENDIO DE LA BATERÍA

- Las baterías no deben ser sometidas a golpes físicos.
- No abras la batería. Existe riesgo de cortocircuito.
- Protege la batería del calor (incluida la exposición continua a la radiación solar), del fuego y de que se sumerja en agua.
- No guardes ni utilices la batería cerca de objetos calientes o inflamables.
- Mantén la batería alejada de clips, monedas, llaves, clavos, tornillos u otros objetos metálicos que puedan crear un puente.

### 3.4 DILIGENCIA Y RESPONSABILIDAD DEL CICLISTA

El uso de este manual de instrucciones no exime al ciclista de su obligación de cuidar y mantener la bicicleta en condiciones de funcionamiento seguras. En caso de duda, se debe consultar a un técnico en mecánica de bicicletas o al servicio técnico de PROPAIN. Dado que es imposible prever todas las situaciones o circunstancias que pueden ocurrir durante la conducción, este manual no garantiza el uso seguro de la bicicleta en todas las condiciones posibles. Hay riesgos vinculados al uso de la bicicleta que no pueden predecirse ni evitarse y que son responsabilidad exclusiva del ciclista.

### 3.5 USO PREVISTO

El ámbito de uso de las bicicletas PROPAIN se divide en cinco categorías que van desde la conducción por carreteras asfaltadas hasta los descensos (*downhill*) o el *freeride*. Las bicicletas deben utilizarse exclusivamente de acuerdo con su uso previsto. De lo contrario, el usuario asume la responsabilidad.

Para saber el uso previsto de tu bicicleta busca el adhesivo que encontrarás en el cuadro, donde se especifica la categoría de uso.



#### CATEGORÍA 1: USO EXCLUSIVO EN CAMINOS PAVIMENTADOS

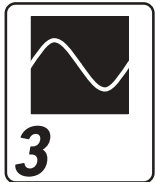
La categoría 1 significa que la bicicleta y sus componentes puede usarse en carreteras pavimentadas.

Las ruedas siempre permanecen en contacto con el suelo.



#### CATEGORÍA 2: USO EN CARRETERA Y FUERA DE LA CARRETERA, CON ESCALONES DE HASTA 15 CM

La categoría 2 significa que la bicicleta y sus componentes puede usarse en las condiciones de la categoría 1 y en pistas de grava y caminos moderados. Las ruedas pueden perder el contacto con el suelo. Los escalones pueden alcanzar una altura máxima de 15 cm.



#### CATEGORÍA 3: USO EN TERRENO ACCIDENTADO, CON SALTOS DE HASTA 61 CM

En la categoría 3 las bicicletas y sus componentes pueden usarse en las condiciones de las categorías 1 y 2, así como en caminos y terrenos accidentados y sin pavimentar que requieren una técnica de conducción avanzada. Los saltos y escalones alcanzan una altura máxima de 61 cm.

## // MANUAL DE INSTRUCCIONES



### CATEGORÍA 4: USO EN TERRENO ACCIDENTADO, CON SALTOS DE HASTA 122 CM

En la categoría 4 las bicicletas y sus componentes pueden usarse en las condiciones de las categorías 1, 2 y 3, así como en terrenos muy accidentados y parcialmente bloqueados, con pendientes más pronunciadas y las consiguientes velocidades más altas. Los saltos moderados que los ciclistas experimentados realizan habitualmente no constituyen ningún problema para estas bicicletas. Sin embargo, queda excluido el uso regular y continuado de estas bicicletas en rutas *north shore* o en *bike parks*. Después de cada salida se debe comprobar si la ruedas presentan daños debido a que están sometidas a mayores cargas. Son típicas de esta categoría las bicicletas con suspensión doble de recorrido intermedio.



### CATEGORÍA 5: RANGO DE USO EXTREMO (*DOWNHILL, FREERIDE, DIRT*)

En la categoría 5 las bicicletas y sus componentes pueden usarse en las condiciones de las categorías 1, 2, 3 y 4, así como en terrenos exigentes, muy bloqueados y extremadamente empinados, que sólo pueden ser dominados por ciclistas técnicamente experimentados y muy bien entrenados. Son típicos de esta categoría los grandes saltos a velocidad muy alta y el uso intensivo de la bicicleta en *bike parks* o por rutas de descenso. Con estas bicicletas es esencial que después de cada salida se realice una revisión a fondo de posibles daños. La presencia de daños previos puede causar un fallo a pesar de someter la bicicleta a un esfuerzo relativamente pequeño. También debería considerarse la posibilidad de sustituir periódicamente los componentes importantes para la seguridad. Se recomienda encarecidamente el uso de protecciones especiales. Son típicas de esta categoría las bicicletas con suspensión doble de largo recorrido y también las bicicletas de saltos (*dirt*).

## 4. PRIMERA SALIDA - FAMILIARÍZATE CON TU NUEVA BICICLETA

Acostúmbrate con el sistema de transmisión, el comportamiento de conducción, el frenado, el cambio de marchas y la suspensión de la bici en un terreno fácil y sin tráfico. Tampoco olvides ponerte el casco. A continuación, aumenta poco a poco las exigencias del terreno o las maniobras de conducción. La batería se entrega a medio cargar. Carga la batería por completo antes de tu primera salida. Para más detalles, consulta las instrucciones de montaje de la bicicleta.

Requisitos:

- La bicicleta debe estar montada según las instrucciones de montaje.
- La altura del sillín está ajustada de forma que se puede conducir cómodamente, además de subir y bajar de la bici con seguridad.
- Se han realizado las tareas del cuadro «Antes de la salida» (ver «6. Trabajos antes y después de salir»).

## FRENOS DE DISCO:

1. Frena.  
Escoge una carretera sin tráfico y frena de 20 a 30 veces con un freno pasando de 30 a 5 km/h. Las frenadas debe ser lo más fuertes posibles sin que ninguna de las ruedas se bloquee. A continuación, repite el proceso con el otro freno. Solo entonces el sistema de freno puede desarrollar toda su potencia de frenado. Consulta también las instrucciones del fabricante del freno (ver también «8.3 Más información»).
2. Comprueba el funcionamiento de los frenos durante el trayecto:

### **i**

Normalmente, la maneta del freno trasero está en el lado derecho del manillar y la maneta del delantero, en el lado izquierdo. A petición del cliente, las manetas de freno también se pueden instalar a la inversa.

Si la disposición de las manetas es nueva y no estás acostumbrada a ella, ten especial cuidado en las primeras salidas. Familiarízate con el funcionamiento y la potencia de frenado conduciendo despacio.

Un gran número de frenos permiten ajustar el punto de presión y/o la distancia entre la maneta y el manillar. Para ello consulta las instrucciones del fabricante del freno (ver también «8.3 Más información»).

## PEDALES AUTOMÁTICOS:

3. Si usas pedales automáticos, primero pruebe poner y quitar los pedales estando parado. Solo pruebe de poner y quitar los pedales en marcha cuando ya tenga dominado el proceso en parado. La dureza al poner y quitar los pedales se puede ajustar. Para ello consulta las instrucciones del fabricante de los pedales.

## CAMBIO:

4. Cambia entre todas las marchas mientras conduces despacio y elige la marcha adecuada.
  - Puede cambiarse a todas las marchas.
  - En la marcha más alta y en la más baja, el tope está ajustado para que la cadena no salga del cassette.

## // MANUAL DE INSTRUCCIONES

### 5. GARANTÍA / CRASH REPLACEMENT

#### 5.1 GARANTÍA

Además de la garantía legal obligatoria, para nuestros cuadros de bicicleta (a partir de los modelos del 2016) ofrecemos una garantía adicional de 3 años en los modelos de aluminio y 5 años en los modelos de carbono a partir de la fecha de venta. Ello sin perjuicio de la garantía legal, que no se ve afectada. Tampoco se ven afectados por esta garantía otros derechos nacionales o ampliados que pudiera tener el comprador. La garantía cubre todos los cuadros de bicicleta PROPAIN. La garantía sobre los componentes está sujeta a las disposiciones del fabricante respectivo y no forma parte de las condiciones de garantía aquí especificadas. La garantía adicional sólo es válida para el primer comprador del producto y requiere disponer de una copia del comprobante de compra original. Quedan excluidos de la garantía la pintura o anodizado del cuadro, los adhesivos, los rodamientos y cualquier recambio.

La garantía no cubre los daños causados por un uso inadecuado o un uso no conforme con la finalidad prevista para el respectivo producto, tal como está descrito en nuestro sitio web. En particular, en caso de, por ejemplo:

- Descuidar el producto (cuidado y mantenimiento insuficientes).
- Modificar el cuadro (incluidos los grabados o la pintura).
- Añadir o modificar componentes adicionales no autorizados expresamente por nosotros o sustituir componentes instalados por nosotros en el momento de la entrega por componentes de otro tipo .
- Usar una bicicleta sin «autorización para *bike park*» en un *bike park*.
- Usar de forma continua la bicicleta con rodamientos y suspensiones defectuosos, mal ajustados o desgastados.
- Usar el producto con la tija del sillín extendida más allá de la profundidad mínima.
- Sobrecarga del producto por saltos, caídas o cualquier otro tipo.
- Las patillas de cambio dobladas o deterioradas (punto de fijación del desviador trasero) se deben a los efectos de, por ejemplo, colocar el desviador trasero encima de una piedra o similar y, por lo tanto, no constituyen un caso de garantía.

Queda excluida la indemnización o el reembolso de los gastos de transporte o montaje. Asimismo, no asumimos ningún coste adicional por un cambio de modelo. Nos reservamos el derecho de reparar el producto o sustituirlo por un producto nuevo. En el caso de que sea necesario sustituir el producto, lo reemplazamos en el mismo color en función de la disponibilidad. No obstante, nos reservamos el derecho de reemplazarlo en un color diferente en caso de no disponibilidad.



## 5.2 CRASH REPLACEMENT (SUSTITUCIÓN POR ACCIDENTE)

Nuestro PROPAIN Crash Replacement (PCR) cubre a partir del momento en que termina la cobertura de la garantía normal: Daños causados por las caídas. En estas caídas la bicicleta puede estar sometida a grandes cargas, deteriorando componentes o el total de la bicicleta hasta hacerla inservible. Esta es la razón por la que hemos introducido nuestro programa de PCR, que permite al primer propietario comprar una nueva bicicleta a bajo coste.

Puedes consultar los precios y condiciones Crash replacement en [www.propain-bikes.com](http://www.propain-bikes.com).

## // MANUAL DE INSTRUCCIONES

### 6. TRABAJOS ANTES Y DESPUÉS DE SALIR

#### 6.1 ANTES DE SALIR

Para un uso seguro de la bicicleta, antes de subir en ella debe llevar a cabo determinados trabajos. En caso de haber algún defecto o fallo en la bicicleta, un técnico en mecánica de bicicletas debe revisarla y reparar las deficiencias. Jamás conduzcas una bicicleta defectuosa o estropeada.

	TRABAJOS / INSPECCIÓN	Antes de la primera salida	Antes de cada salida
Ruedas / cubiertas	Una después de otra levanta las ruedas delantera y trasera y haz que giren. → Las ruedas deben girar con suavidad. → Las ruedas deben girar rectas, sin saltos laterales o verticales. → Las cubiertas no deben tocar el cuadro en ningún momento.	X	X
	Comprobar la presión de los neumáticos. → La presión de los neumáticos debería ser de unos 2 bares. No se debe superar la presión máxima de la rueda y del neumático utilizado (ver también «8.5 Presión de los neumáticos»).	X	X
	Compruebe el par de apriete de los ejes. → La palanca del eje de la rueda delantera debe quedar bien cerrada. → El eje de la rueda trasera se debe apretar solo a 12 Nm.	X	X
	Una después de otra levantar las ruedas delantera y trasera y moverlas a los lados. → No se debe detectar que tengan ningún juego.		X
	Comprueba el piñón libre en el buje de la rueda trasera para asegurarse de que la adherencia funciona correctamente: Siéntate en tu bicicleta, acciona el freno delantero y pedalea con una fuerza moderada estando parado. → La fuerza se debe transmitir a la rueda trasera. → El piñón libre no debe resbalar.		X
	Revise los neumáticos para ver si están dañados o desgastados. → No deben presentar ningún daño. → El desgaste no debe haber progresado hasta el punto de que vean en la superficie de rodadura la protección contra perforaciones o los hilos de la carcasa.		X

TRABAJOS / INSPECCIÓN		Antes de la primera salida	Antes de cada salida
Frenos	Comprueba la fuerza de frenado: Estando parado, acciona las dos manetas de freno una tras otra y mueve la bicicleta hacia adelante y hacia atrás. → Cuando se accionan los frenos, las ruedas delanteras y traseras se deben bloquear.	X	X
	Revise los cables y uniones de los frenos para ver si hay daños o fugas de líquido de frenos. → No se deben apreciar derrames de líquido de frenos en las uniones de los cables.	X	X
	Comprueba el punto de presión de los frenos: Acciona las dos manetas de freno una tras otra mientras está parado. → Aproximadamente después de la mitad del recorrido de la maneta, se debe notar un claro punto de presión.		X
	Comprueba el grado de desgaste de las pastillas de freno. → La pastilla del freno debe tener un grosor mínimo de 0,5 mm sobre el soporte metálico.		X
	Comprueba el grado de desgaste de los discos de freno. → Grosor mínimo de los discos de freno: Avid / Sram: 1,55 mm; Magura: 1,8 mm		X
Accesorios	Comprueba que la potencia esté bien colocada: Ponte delante de la bicicleta, sujeta la rueda delantera entre tus rodillas e intenta girar el manillar. → El manillar no se puede torcer ejerciendo una fuerza normal.	X	X
	Comprueba el juego del rodamiento de la dirección: Colócate al lado de su bicicleta, acciona la maneta del freno delantero y mueve la bicicleta lentamente de un lado a otro. → No se debe detectar que tengan ningún juego del rodamiento.	X	X
	Comprueba que todos los accesorios estén bien colocados → Los accesorios sueltos se deben apretar con el par de apriete requerido (ver «8.4 Pares de apriete»). En caso de duda, ponte en contacto con el servicio técnico de PROPAIN.	X	X
	Comprueba que la tija del sillín esté bien colocada: Ponte detrás de la bicicleta, agarra el sillín con una mano e intenta girarlo. → No se debe poder torcer el sillín y la tija.		X
	Comprueba que los puños estén bien colocados: → Los puños no se deben poder girar con la mano.		X

## // MANUAL DE INSTRUCCIONES

TRABAJOS / INSPECCIÓN		Antes de la primera salida	Antes de cada salida
Cuadro	<p>Revisa el cuadro para ver si hay daños y deformaciones.</p> <p>→ No debe presentar ningún daño.</p>	X	X
	<p>Comprueba que todos los cables están en las abrazaderas y que todas las abrazaderas están apretadas.</p> <p>→ Todos los cables deben estar bien colocados en las abrazaderas.</p>		X
	<p>Comprueba los pares de apriete en los puntos de apoyo del triángulo trasero y del soporte del amortiguador.</p> <p>→ Puedes encontrar los valores del par en las instrucciones de montaje de tu bicicleta.</p>		X
Horquilla / amortiguador	<p>Revisa la suspensión para ver si está dañada.</p> <p>→ No debe presentar ningún daño.</p>	X	X
	<p>Siéntate en la bicicleta con el equipo completo (casco, mochila, zapatos, etc.) y colócate en una posición normal de conducción.</p> <p>→ Recomendamos un SAG de 15% - 20% en la horquilla y 20% - 30% en el amortiguador.</p> <p>→ Si es necesario, cambia la presión de aire de la suspensión. Si el amortiguador tiene muelle de acero, al hacer el pedido ya has elegido una dureza adecuada a tu peso.</p>	X	

## 6.2 DESPUÉS DE SALIR

### LIMPIA LA BICICLETA



#### PELIGRO

**PELIGRO DE ACCIDENTE POR FALLO DE LOS FRENOS O DISMINUCIÓN DE LA FUERZA DE FRENADO DEBIDO A QUE LAS PASTILLAS O LOS DISCOS DE FRENO ESTÁN SUCIOS!**

Las pastillas y discos de freno no deben entrar en contacto con lubricantes como aceite, grasa (incluida las cremas para la piel), cera, silicona, teflón, etc. Las pastillas de freno o las superficies de frenado que se han ensuciados así ya no deben usarse.

Al terminar la salida debes limpiar tu bicicleta a fondo con un paño suave y agua. No uses jamás un limpiador a presión. La suciedad más resistente se puede eliminar con detergentes especiales para bicicletas y sus componentes. Respeta siempre las instrucciones y recomendaciones de uso del detergente.

Después de limpiar la bicicleta, vuelve a engrasar la cadena (ver «Mantenimiento de la cadena»). Al limpiar presta especial atención a la zona de las piezas móviles de la horquilla y del amortiguador. La suciedad en esta zona puede causar un desgaste prematuro y reducir así el rendimiento de la suspensión.

### MANTENIMIENTO DE LA CADENA

La cadena de la bicicleta es el elemento central del sistema de transmisión de su bicicleta. La suciedad se acumula en la cadena oleosa y acelera su desgaste.

Para una vida útil larga y fiable de la cadena, lleva a cabo los siguientes pasos con regularidad:

1. Limpia la cadena con un paño empapado en aceite.
2. Engrasa la cadena con aceite para cadenas.
3. Limpia el exceso de aceite con un paño seco y sin pelusas.

## // MANUAL DE INSTRUCCIONES

### ESTACIONAR LA BICICLETA

Las bicicletas siempre deben estacionarse con seguridad y protegerse contra posibles caídas. A menudo basta con caer desde una posición de pie sobre un borde para causar un daño permanente al cuadro o a los componentes. Ver también «7. Transporte y almacenamiento».

#### 6.3 DESPUÉS DE UNA CAÍDA



#### PELIGRO

##### PELIGRO DE ACCIDENTES POR COMPONENTES DAÑADOS O ROTOS!

La caída o la sobrecarga pueden causar daños invisibles y desapercibidos.

- Conducir con piezas dañadas, dobladas o incluso desgarradas constituyen un peligro de muerte.
- Después de una caída, la bicicleta y sus piezas deben ser revisadas por el servicio técnico de PROPAIN o por un técnico en mecánica de bicicletas.
- Nunca repares tú mismo las piezas dobladas, sino que las debes sustituir por tu propia seguridad.

La evaluación de un componente de carbono dañado es muy difícil. El daño no tiene por qué percibirse necesariamente desde el exterior. Un rasguño superficial puede ser un indicio de delaminación (separación de las capas de carbono entre sí). En las bicicletas de peso optimizado, a menudo basta con caerse sobre un borde cuando se está parado para dañar permanentemente el cuadro o los componentes. Cualquier sospecha de daño debe ser siempre examinada por el servicio técnico de PROPAIN o por un técnico en mecánica de bicicletas.

Los componentes de aluminio presentan daños por abolladuras, grietas, deformación o decoloración. Si se produce uno de estos signos, el componente o la bicicleta no debe seguir utilizándose. Cualquier sospecha de daño debe ser siempre examinada por el servicio técnico de PROPAIN o por un técnico en mecánica de bicicletas.

## 7. TRANSPORTE Y ALMACENAMIENTO

### 7.1 TRANSPORTE EN COCHE

La mejor solución y la más segura para transportar la bicicleta es dentro del coche. Allí tu bicicleta está protegida perfectamente de las inclemencias del tiempo y de posibles robos. Sin embargo, también se deben tener en cuenta varios aspectos:

- Si el coche está expuesto a la radiación solar directa, sus superficies pueden calentarse mucho.
  - La batería no debe quedar expuesta a la radiación solar directa. Cubre la batería. La mejor opción es usar una bolsa para baterías que la proteja del calor y de posibles golpes.
  - Las piezas de carbono se deben proteger o cubrir para que no les dé la luz directa.
- Las piezas de carbono son muy sensibles a las posibles cargas de presión. Si se deben apilar piezas, por ejemplo, ruedas sobre el cuadro, es esencial que se proteja con algo acolchado. Muchos fabricantes ofrecen bolsas especiales para sus ruedas. De este modo, las ruedas están perfectamente protegidas durante el transporte.
- Si se retiran las ruedas, se debe colocar un seguro de transporte entre los extremos del cuadro u horquilla y entre las pastillas del freno de disco.

### 7.2 TRANSPORTE EN PORTABICICLETAS TRASERO O DE TECHO

Los portabicicletas trasero y de techo con agarres para el tubo superior, inferior o el sillín no son adecuados para los cuadros de carbono. La fuerza de sujeción del agarre pueden dañar la estructura de carbono. Antes de transportar la bici en un portabici de coche, debes retirar la batería. Los contactos de la batería y de la bicicleta deben estar cubiertos. La batería debe ser transportada en el interior del coche, colocándola de forma que no se mueva. La mejor opción es usar una bolsa para baterías que la proteja del calor y de posibles golpes. Antes de colocar las correas o cintas con trinquete en las llantas, estas se deben proteger con algo acolchado.

Si se transportan varias bicicletas en el portabicicletas trasero o de techo, hay que tener cuidado de que haya suficiente espacio o colocar algo acolchado entre ellas. Si se transportan bicicletas con ruedas de carbono en el soporte trasero, asegúrese de que haya suficiente espacio entre el tubo de escape y la rueda. La distancia mínima es de 45 cm detrás y al menos 20 cm encima del tubo escape. Respete también el manual de instrucciones del fabricante del portaequipajes trasero o de techo.

## // MANUAL DE INSTRUCCIONES

### 7.3 ALMACENAMIENTO DE LA BATERÍA

Si la bicicleta no se utiliza durante un período prolongado de tiempo, guárdala dejando la batería con una carga residual del 70% aproximadamente. También asegúrate de que la batería no se descargue por completo recargándola cada 6 meses. Guarde la batería o las bicicletas con batería incorporada en un lugar fresco (aprox. de 10 a 20 °C) y no expuestas a la radiación solar directa o a la lluvia. Si se guardan a temperaturas inferiores o superiores, la capacidad y la duración de la batería disminuyen.

#### RECARGA LA BATERÍA ANTES Y DURANTE SU ALMACENAMIENTO

Antes de dejar de utilizar la bici durante un período de tiempo prolongado carga la batería hasta aprox. el 70% de su capacidad (un nivel de carga del 70% corresponde a 4 parpadeos del LED). Pasados 6 meses comprueba el nivel de carga. Si en la batería solo parpadean 3 LED del indicador de estado de carga, recárgala hasta aproximadamente el 70%. Evita la descarga total de la batería al dejar de cargarla por períodos superiores a 3 meses. Advertencia: A pesar de su baja autodescarga, si la batería se queda vacía durante un período prolongado, puede sufrir daños y disminuir significativamente su capacidad. No se recomienda dejar la batería enchufada siempre al cargador.

### 7.4 ALMACENAMIENTO DE LA BICICLETA

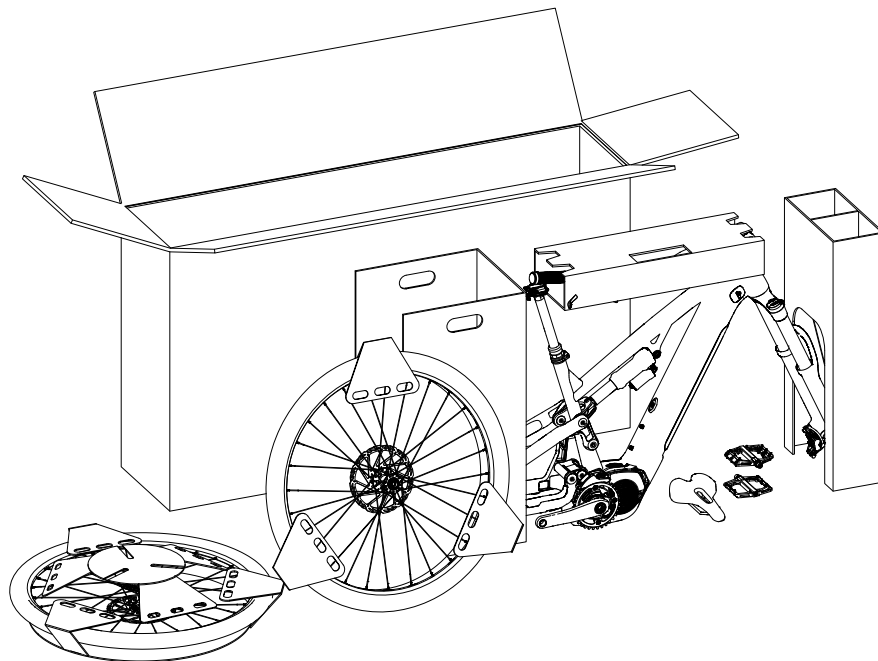
La bicicleta debe colocarse en un soporte adecuado, idealmente que solo aguante la rueda trasera. Comprueba la presión del aire regularmente si la bicicleta está parada durante mucho tiempo. No se debe dejar la bicicleta sin aire en los neumáticos durante mucho tiempo. Otra alternativa para guardar de forma segura la bicicleta consiste en colgarla de un gancho acolchado o recubierto con plástico o goma.

En caso de guardar la bicicleta durante más de tres meses, se debe retirar el líquido sellante del neumático si se usan ruedas *tubeless*. Algunos líquidos sellantes contienen ingredientes que intensifican la corrosión pudiendo dañar la llanta.



## 7.5 ENVÍO DE BICICLETAS

En función del tamaño de la PROPAIN Bike Box, la bicicleta se puede enviar en diferentes estados de montaje. Envía la bicicleta en las mismas condiciones de montaje que la recibió.



## // MANUAL DE INSTRUCCIONES

1. Fija todas las piezas sueltas o móviles o envuélvelas bien. Los componentes afilados o puntiagudos se deben envolver para que no causen daños en el interior de la caja y no puedan perforarla.
2. Para el envío retira la rueda delantera y envuélvela en cartón.
3. Enrosca los ejes de los extremos.
4. Coloca el cartón de relleno detrás, en el lado del desviador trasero.
5. Protege el tubo superior con material adecuado (por ejemplo, un aislamiento tubular) para evitar que el manillar cause daños.

## 8. INSPECCIÓN Y MANTENIMIENTO



### PELIGRO

#### PELIGRO DE ACCIDENTES POR MANTENIMIENTO E INSPECCIÓN NO REALIZADOS CUANDO TOCABA

Si se descuida la inspección y el mantenimiento, los componentes desgastados pueden causar accidentes.

- Deben respetarse los trabajos e intervalos de mantenimiento e inspección indicados en este manual de instrucciones.
- El cumplimiento de los trabajos e intervalos de mantenimiento e inspección es un requisito indispensable para conservar el derecho a garantía.

Solo un mantenimiento y cuidado regulares garantizan que todas las piezas de la bicicleta funcionen correctamente. Las tareas sencillas de limpieza, mantenimiento e revisión las debes llevar a cabo tú mismo con regularidad (ver «6. Trabajos antes y después de salir»). En función del intervalo de mantenimiento indicado, los trabajos de mantenimiento e inspección requeridos deben ser realizados por PROPAIN o por un profesional debidamente cualificado.

También encontrarás todas la información sobre la inspección y el mantenimiento en [www.propain-bikes.de](http://www.propain-bikes.de).

## 8.1 MANTENIMIENTO DE LOS COMPONENTES

En teoría, puedes llevar a cabo todos los trabajos de mantenimiento tú mismo. En caso de duda sobre los propios conocimientos o la falta de herramientas especiales, los trabajos los deberá llevar a cabo PROPAIN o por un técnico en mecánica de bicicletas.

COMPONENTE	TRABAJO	INTERVALO
Bicicleta completa	Comprobar los pares de apriete de todos los tornillos. Para los valores del par, ver «8.4 Pares de apriete».	la primera vez, tras 100-300 km o de 5 a 15 h*; después, cada 1500 km o 75 h*
Cuadro	Inspección visual del cuadro para detectar posibles daños como grietas y deformaciones, decoloración y rozaduras causadas por la funda o los cables de los frenos.	3 meses
Horquilla / amortiguador	Inspección visual para detectar posibles daños como grietas, deformaciones y decoloración.	3 meses
	Revisión pequeña	50 h / 3 meses o según las indicaciones del fabricante
	Revisión grande	200 h / anual o según las indicaciones del fabricante
Dirección	Desmontar, limpiar, engrasar y volver a montar todas las piezas de la dirección. Sustituir los rodamientos que funcionan mal o presentan corrosión.	6 meses
Tija de sillín	Desmontar, limpiar la tija del sillín y el tubo del cuadro y volver a montarlos sin usar lubricantes. Comprobar par de apriete Para el par de la abrazadera y el pistón del sillín, ver «8.4 Pares de apriete».	3 meses

## // MANUAL DE INSTRUCCIONES

COMPONENTE	TRABAJO	INTERVALO
Manillar / potencia	Comprobar par de apriete. Para los valores del par, ver «8.4 Pares de apriete» <sub>mm</sub> .	3 meses
Frenos	Comprobar el desgaste de las pastillas de freno. → La pastilla del freno debe tener un grosor mínimo de 0,5 mm sobre el soporte metálico.	regularmente
	Comprobar el desgaste de los discos de freno. → Grosor mínimo de los discos de freno: Sram/Avid: 1,55 mm; Magura: 1,8 mm	regularmente
	Purgar frenos / cambiar líquido de frenos	12 meses
Ruedas	Mantenimiento del buje: en condiciones normales de uso	12 meses
	en condiciones extremas de uso (conducción regular con polvo, lluvia, nieve o conducción frecuente con lluvia)	3 meses
	Para los trabajos de mantenimiento, ver las instrucciones del fabricante.	
	Sustituir fondo de llanta <i>tubeless</i> .	12 meses
	Comprobar posibles daños en fondo de llanta <i>tubeless</i> . El fondo de llanta <i>tubeless</i> se debe sustituir cuando <ul style="list-style-type: none"> <li>• el fondo de llanta se desprende de la llanta.</li> <li>• se va el dibujo y se ve el material de soporte.</li> <li>• se aprecian fuertes curvaturas hacia dentro en los agujeros de los radios y el fondo de llanta <i>tubeless</i> presenta fuertes pliegues.</li> </ul>	3 meses
Comprobar la tensión de los radios, la concentricidad y el desgaste de la rueda.	10 h*	

COMPONENTE	TRABAJO	INTERVALO
Cubiertas / líquido sellante	<p>Desmontar las cubiertas y comprobar posibles daños y cuerpos extraños que hayan entrado podido entrar. Al mismo tiempo revisar el fondo de llanta <i>tubeless</i>; ver arriba.</p> <p>Cambiar el líquido sellante o rellenarlo, si es necesario. Retirar el líquido sellante seco de las cubiertas.</p> <p>Recomendamos 30 ml de líquido sellante por cubierta.</p>	3 meses
Cambio / transmisión	<p>Comprobar el desgaste de la cadena con el medidor del desgaste de cadenas.</p> <p>→ La cadena se debe sustituir cuando el medidor del desgaste de cadenas mide el alargamiento máximo permitido.</p> <p>Al cambiar la segunda cadena se deben sustituir también los platos y el cassette.</p>	la primera vez, tras 1000 km; después, regularmente
	Revisar el ajuste de los desviadores trasero y delantero.	3 meses
	<p>Si se usa un cambio o una tija de sillín electrónicos: Cambiar las pilas de botón.</p> <p>Tipo de pila: CR2032</p>	2 años o cuando se enciende/parpadea el LED

\*h = horas de funcionamiento. En los intervalos indicados en km y h, es válido el primer evento de los dos que ocurre.

## // MANUAL DE INSTRUCCIONES

### 8.2 SUSTITUCIÓN DE COMPONENTES

No todas las piezas de tu bicicleta eléctrica se pueden cambiar sin más. Las dos asociaciones de la industria de las bicicletas, *"Zweirad-Industrie-Verband"* (ZIV) y *"Verbund Service y Fahrrad"* (VSF), han elaborado una directriz conjunta que define las condiciones en las que se pueden sustituir los componentes de tu bicicleta eléctrica. Los componentes de tu bicicleta eléctrica se dividen en cuatro categorías. La siguiente tabla contiene todos los componentes que puede contener una bicicleta eléctrica. Esta tabla puede contener componentes que no puedan o no se deban instalar en tu bicicleta eléctrica.

#### CATEGORÍA 1: COMPONENTES QUE SOLO SE PUEDEN SUSTITUIR CON LA AUTORIZACIÓN DEL FABRICANTE DEL MOTOR O DE PROPAIN

- Motor
- Sensores
- Control electrónico
- Cables eléctricos
- Unidad de mando en el manillar / pantalla
- Pack de baterías / cargador

#### CATEGORÍA 2: COMPONENTES QUE SOLO SE PUEDEN SUSTITUIR CON LA AUTORIZACIÓN DE PROPAIN

- Cuadro
- Amortiguador
- Horquilla rígida o de suspensión
- Sistema de frenos
- Portaequipajes (Los portaequipajes influyen directamente sobre la distribución de la carga en la bicicleta. Tanto los cambios negativos como los positivos pueden suponer un comportamiento de conducción distinto al diseñado por el fabricante.)

## CATEGORÍA 3: COMPONENTES QUE SOLO SE PUEDEN SUSTITUIR CON LA AUTORIZACIÓN DE PROPAIN O DEL FABRICANTE DE DICHO COMPONENTE

- Bielas (si se mantienen las distancias biela-centro del cuadro (factor Q))
- Rueda (si se mantiene la norma ETRTO)
- Cadena / correa dentada (si se mantiene el ancho original)
- Fondo de llanta (El fondo de llanta y la llanta deben encajar entre sí. Las combinaciones modificadas pueden hacer que el fondo de llanta se deslice causando defectos en la cámara.)
- Neumáticos (Las bicicletas eléctricas se caracterizan por su fuerte aceleración, un peso adicional y un comportamiento más dinámico en las curvas, por lo que requieren neumáticos autorizados para ser usados en bicicletas eléctricas. Hay que tener en cuenta que se cumplan la norma ETRTO.)
- Cables y fundas de freno
- Pastillas de freno
- Manillar y potencia (siempre y cuando no sea necesario cambiar la longitud del cable y/o funda)
- Sillín y tija (Si el desplazamiento hacia atrás comparado con el grupo original de sillín/tija no es mayor de 20 mm. Una modificación en la distribución de la carga fuera del rango previsto puede causar cambios críticos en el comportamiento de la dirección. La longitud de las guías del sillín y la forma en sí del sillín también juegan un papel importante.)
- Faros (Los faros están diseñados para un determinado voltaje, que debe estar acorde con las baterías de la bicicleta eléctrica. Asimismo, se debe garantizar la compatibilidad electromagnética (EMC), ya que el faro puede representar una parte de la posible potencia de interferencia.)

## // MANUAL DE INSTRUCCIONES

### CATEGORÍA 4: COMPONENTES PARA LOS QUE NO SE REQUIERE NINGUNA AUTORIZACIÓN ESPECIAL

- Eje de dirección
- Eje pedalier
- Pedales (si el pedal no es más ancho que el pedal de serie u original)
- Desviador delantero y desviador trasero (todos los componentes del cambio deben ser adecuados para el número de marchas y compatibles entre si)
- Maneta del cambio / puño giratorio
- Cables y fundas
- Platos / cassette (si el número de piñones y el diámetro es el mismo que en el original)
- Radios
- Cámara (mismo tipo y con la misma válvula)
- Luz trasera, reflectores, reflectores de radios
- Caballete
- Puños enroscados
- Timbre



### 8.3 MÁS INFORMACIÓN

Si estás seguro de que posees los conocimientos y habilidades necesarios, puedes encontrar toda la información necesaria sobre los trabajos mencionados en los sitios web de los fabricantes de componentes. Recuerda que te haces responsable de todos los trabajos que llevas a cabo y que la garantía y el derecho a garantía se extinguen en caso de un mantenimiento o instalación incorrectos.

- SRAM / Rock Shox: [sram.com/service](http://sram.com/service)
- Magura: [www.magura.com/de/components/techcenter/](http://www.magura.com/de/components/techcenter/)
- Newmen: [www.newmen-components.de](http://www.newmen-components.de)
- Fox: [www.ridefox.com](http://www.ridefox.com)
- Sixpack: [www.sixpack-racing.de](http://www.sixpack-racing.de)
- Shimano: [www.si.shimano.com](http://www.si.shimano.com)
- Bikeyoke: [www.bikeyoke.de](http://www.bikeyoke.de)
- Stans: [www.notubes.com](http://www.notubes.com)
- Crankbrothers: [www.crankbrothers.com](http://www.crankbrothers.com)

## // MANUAL DE INSTRUCCIONES

### 8.4 PARES DE APRIETE

Todos los elementos de fijación roscados se deben ser apretar con una llave dinamométrica adecuada. Si se realiza correctamente, se evita estirar excesivamente los tornillos con el consiguiente riesgo de rotura. Los pares especificados aquí son válidos para las roscas sin lubricar. Si los tornillos se lubrican, el coeficiente de fricción cambia considerablemente y el par debe ser menor.

La siguiente tabla detalla todos los pares de apriete que necesitas para tu bicicleta.

COMPONENTES	FABRICANTE, MODELO	PAR DE APRIETE
Fijación del sillín	todos	ver par de apriete grabado con láser*
Abrazadera tija del sillín	todos	ver par de apriete grabado con láser*
Fijación pinza de freno en ruedas delantera y trasera	todos	6 Nm
Eje rueda delantera	todos	ver datos del fabricante
Eje rueda trasera	PROPAIN	12 Nm
Tuerca de cierre cassette	todos	40 Nm
Tornillo de sujeción desviador trasero	todos	10 Nm
Tornillos de sujeción discos de freno	todos	6,2 Nm
Tuerca de cierre discos de freno Center Lock	todos	40 Nm
Tornillo de sujeción biela	todos	ver par de apriete grabado con láser
Pedales	todos	35 Nm
Mandos del manillar	todos	ver par de apriete grabado en láser* También de deber seguir las instrucciones del fabricante del manillar.
Potencia, fijación al manillar	todos	ver par de apriete grabado con láser*
Potencia, fijación a la horquilla	todos	ver par de apriete grabado con láser*
Puntos de apoyo triángulo trasero	PROPAIN	ver instrucciones de montaje
Tornillos de sujeción de la transmisión	Shimano	10 - 12,5 Nm

\*Indica un par de apriete que no se debe sobrepasar. Por regla general, basta con aplicar un par menor para obtener una unión segura. En particular, el par puede reducirse considerablemente por debajo de este valor si se usa pasta de montaje, ya que las partículas sólidas de la pasta aumentan en gran medida la fricción.

Consejo: Cuanto menor sea el par de apriete de los tornillos, menor presión se ejercerá sobre el componente, factor especialmente importante en los componentes de carbono.



## // MANUAL DE INSTRUCCIONES

### 8.5 PRESIÓN DE LOS NEUMÁTICOS

La presión máxima de los neumáticos depende del ancho del neumático y del ancho interior (ancho de la boca) de la llanta.

Para ajustar la presión de los neumáticos, puedes utilizar la siguiente tabla como guía. Jamás se debe sobrepasar la presión máxima de los neumáticos. En bicicletas equipadas con los neumáticos originales, la presión máxima se puede determinar por el ancho del neumático. Encontrarás el ancho del neumático en su lateral. En bicicletas de montaña, tiene sentido elegir una presión de neumáticos menor que la presión máxima para favorecer la adherencia de los neumáticos. La presión mínima de los neumáticos también está marcada en el flanco del neumático y no debe ser inferior. La presión de los neumáticos para uso en *trail*, *enduro*, *freeride* y *downhill* debe ser de unos 1,5 a 1,9 bares en la rueda delantera y de unos 1,7 a 2,1 bares en la trasera.

Ancho de boca (ancho interior) de la llanta					Ancho recomendado de los neumáticos		Presión máxima de los neumáticos	
					[mm]	[pulgadas]	[bar]	[psi]
21 mm	23 mm	25 mm	27 mm	29 - 40 mm	18	0,7	9,8	142
					20	0,8	9,3	135
					23	0,9	8,8	128
					25	1	8,3	120
					28	1,1	7,6	110
					30	1,2	7,0	102
					32	1,25	6,6	96
					35	1,35	5,8	84
					37	1,4	5,5	80
					40	1,5	5,3	77
					42	1,6	5,0	73
					44	1,7	4,8	70
					47	1,8	4,5	65
					50	1,9	4,2	61
					52	2	3,9	57
					54	2,1	3,6	52
57	2,2	3,3	48					
60	2,3	3,0	44					
62	2,5	2,7	39					
66	2,6	2,5	36					
69	2,7	2,3	33					
71	2,8	2,1	30					

// NOTAS



***PROPAIN***

