

ASSEMBLY INSTRUCTIONS / USER MANUAL -
READ BEFORE YOUR FIRST RIDE!

EN

INSTRUCTIONS DE MONTAGE / MANUEL D'UTILISATION -
A LIRE AVANT TOUTE SORTIE!

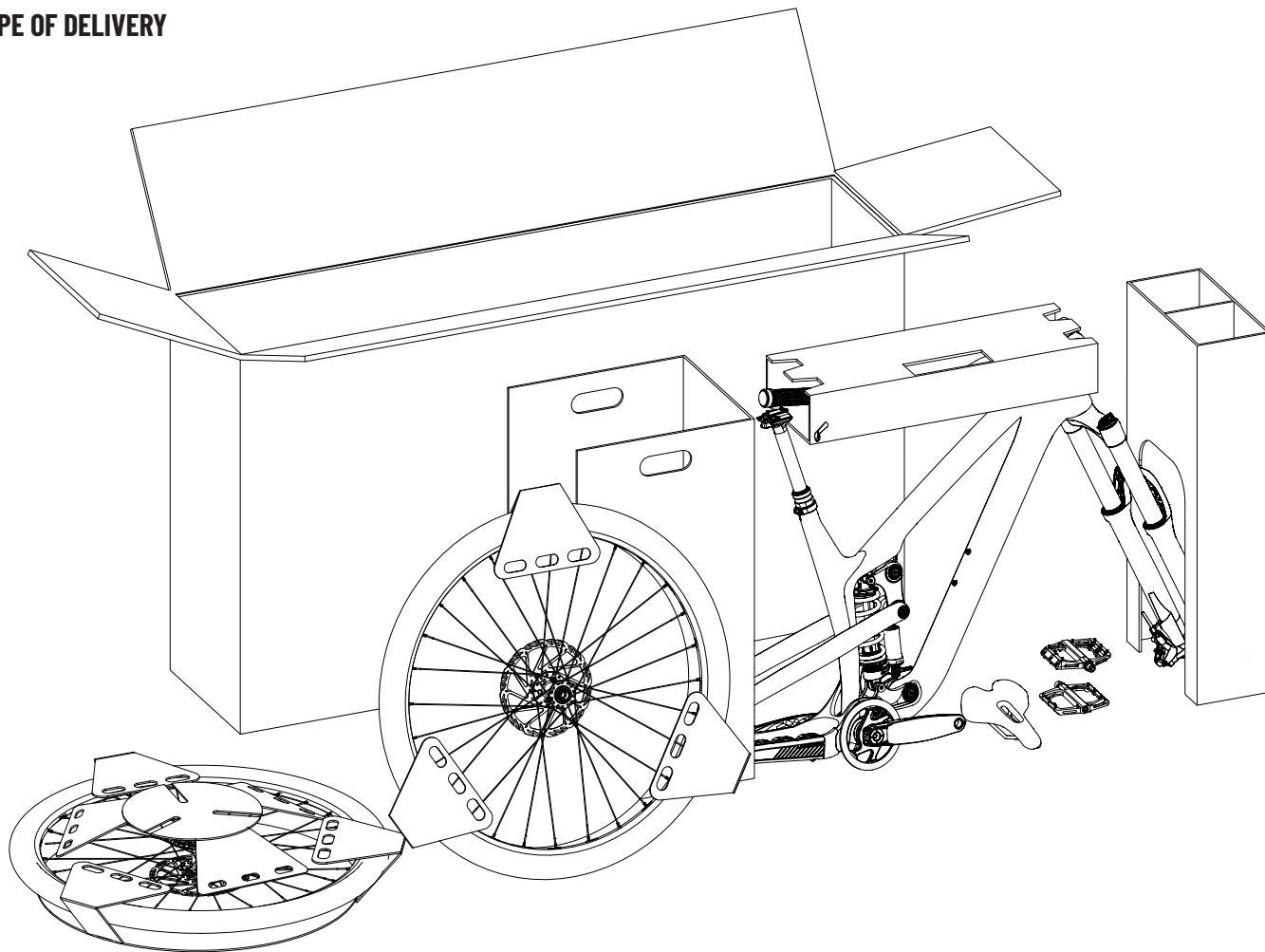
FR

INSTRUCCIONES DE MONTAJE / MANUAL DE INSTRUCCIONES -
LEER ANTES DE LA PRIMERA SALIDA!

ES

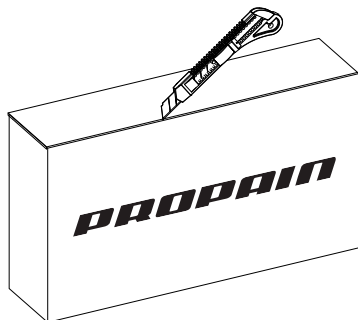
PROPAIN

// SCOPE OF DELIVERY



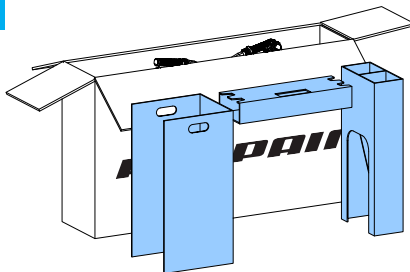
// UNPACKING

1



Carefully open the top of the bike box ensuring no damage is caused to internal parts whilst opening the box.

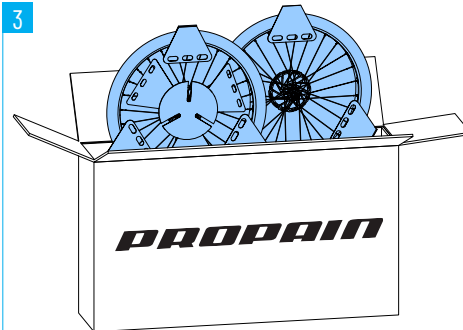
2



Remove the fixation of the handlebar, the fixation of the rear triangle and the fixation of the fork.

→ Carefully remove the handlebar from its fixation, to prevent possible damage to the paint.

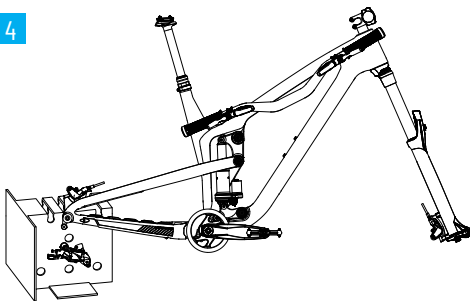
3



Carefully remove both wheels.

→ Be careful to avoid damages.

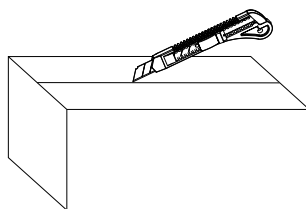
4



Carefully remove the bike.

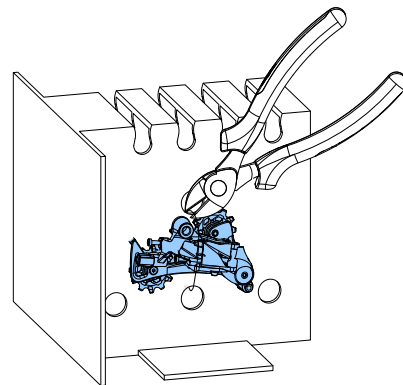
→ Watch the handlebars, suspension fork and rear derailleur. Fix the bike to a work stand for further assembly or place it on the ground in the rear end fixation.

5



Remove the box for the small parts and open it.

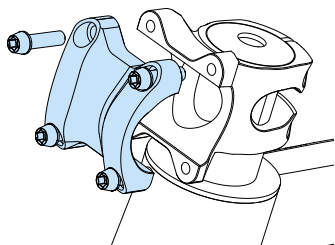
6



Detach the rear derailleur from the rear end fixation.

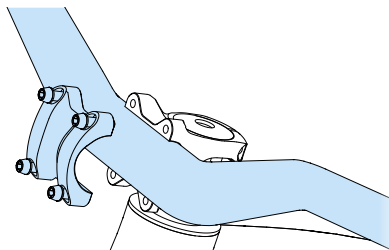
// MOUNTING THE HANDLEBAR

1



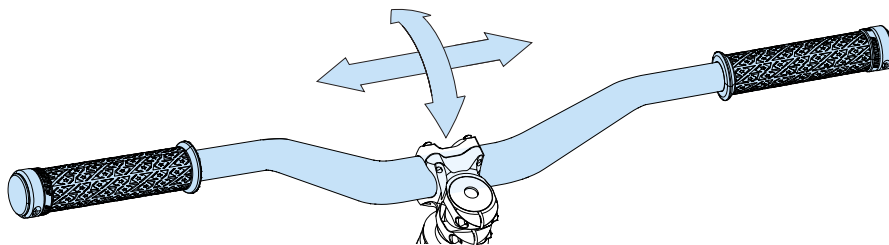
1. Unscrew the stem clamp bolts.
2. Remove the handlebar clamp and the bolts.

2



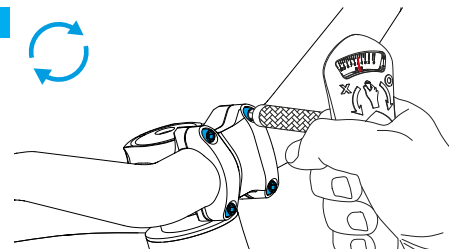
1. Attach the handlebar to the stem.
2. Attach the handlebar clamp and screw in the bolts a few turns by hand.

3



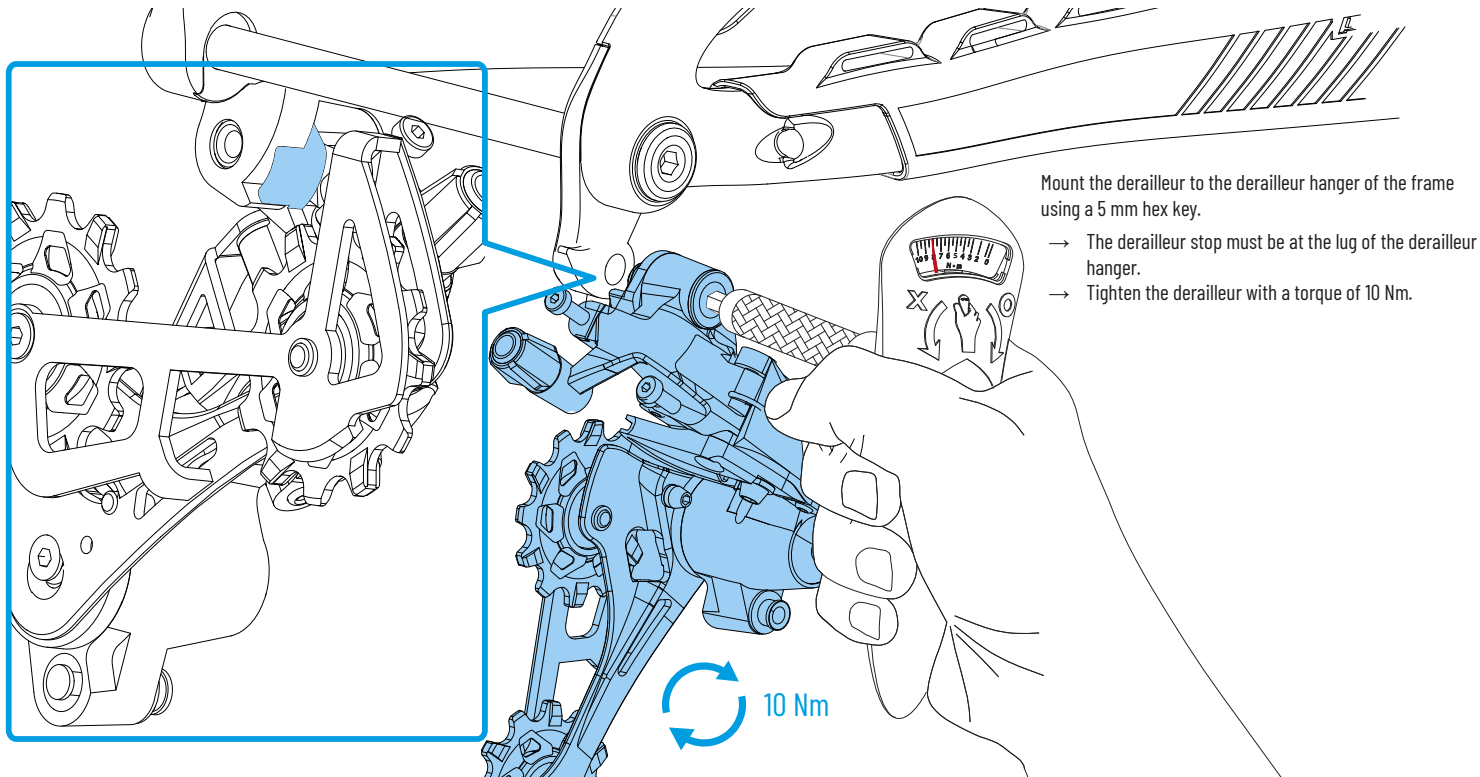
1. Center the handlebar and adjust the angle of the handlebar according to your personal preferences.
2. Adjust the brake levers and the shifters to the angle of the handlebar.

4



1. Screw in the two upper clamping bolts and tighten both bolts with the torque lasered on the clamp or stem.
2. Screw in the two lower clamping bolts and tighten both bolts with the torque lasered on the clamp.

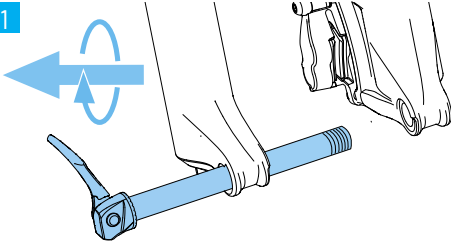
// MOUNTING THE REAR DERAILLEUR



// MOUNTING THE FRONT WHEEL

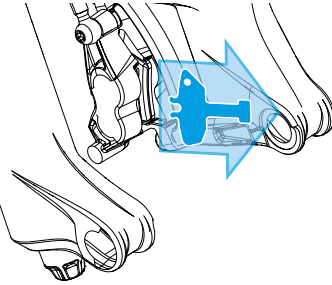
Depending on the fork manufacturer, the thru axle must be pushed from the right or left through the dropout of the fork.

1



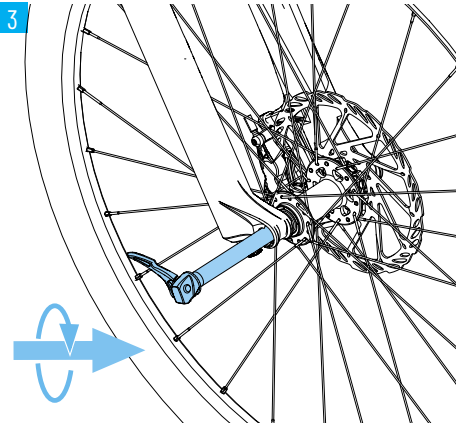
Remove the thru axle from the fork.

2



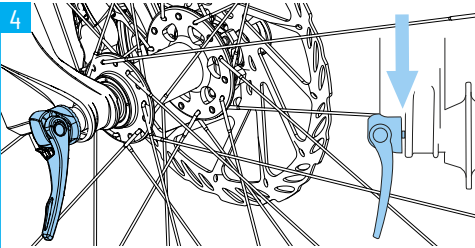
1. Remove the transport securing device that is fitted between the brake pads.
2. Store the transport securing device for future transport of your bike.

3



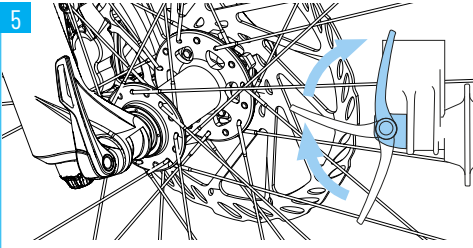
1. Put the front wheel into the dropouts of the fork. The brake rotor must be placed between the brake pads.
2. Open the lever of the thru axle and slide the axle through the non-drive side (left in the direction of travel) fork dropouts and hub of the wheel.

4



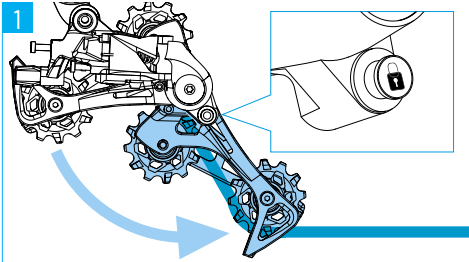
Rotate the lever clockwise until there is only a small gap left between lever head and dropout.


5



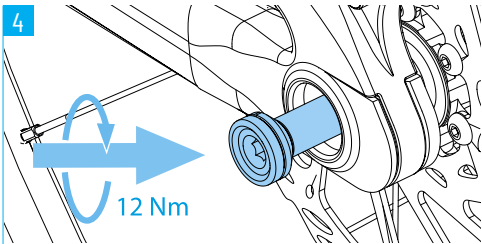
1. Close the lever of the thru axle.
2. There must be no gap between lever head and dropout.
→ Closing the lever should require an increasing amount of hand force until the lever is fully closed.
To increase lever tension, open the lever and turn it clockwise. Close the lever to recheck lever tension. Repeat until the tension is sufficient, then close the lever.

// MOUNTING THE REAR WHEEL

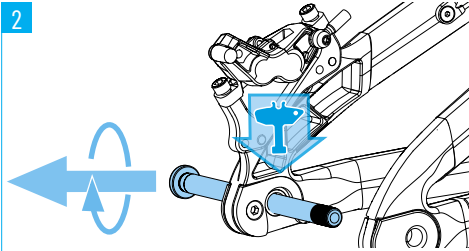


1. Activate the Cage Lock function. Pull the cage of the rear derailleur forward and press the Cage Lock button with the symbol .

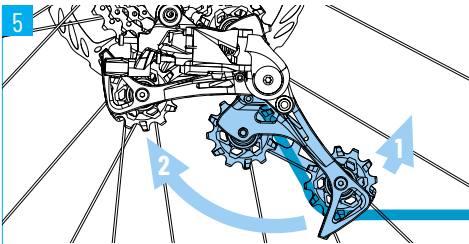
→ The rear derailleur cage remains tilted forward when the Cage Lock function is activated. This simplifies the installation of the rear wheel.



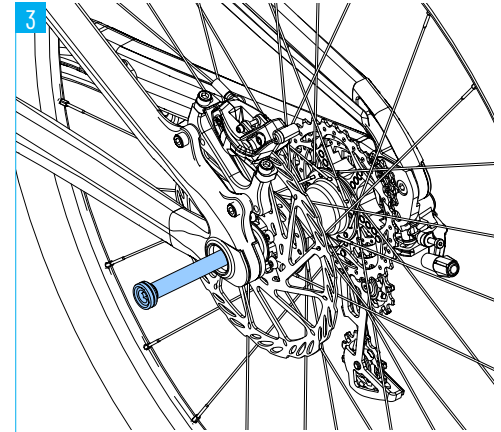
4. Screw the thru axle into the dropout using a 6 mm hex key and tighten the thru axle to a torque of 12 Nm.



1. Remove the thru axle from the frame.
2. Remove the transport securing device that is fitted between the brake pads.
3. Store the transport securing device for future transport of your bike.

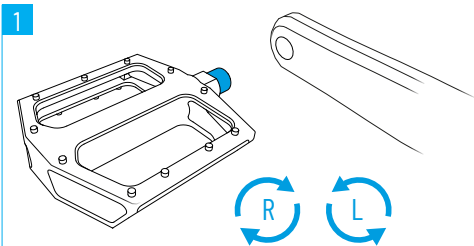


5. Deactivate the Cage Lock function. Pull the cage of the derailleur slightly forward and carefully return the derailleur to its original position.



1. Insert the rear wheel into the dropout of the frame.
 - The brake rotor must be placed between the brake pads.
 - Put the chain on the smallest sprocket of the cassette.
2. Slide the thru axle from the brake side (left in the direction of travel) into the frame dropout and hub of the wheel.

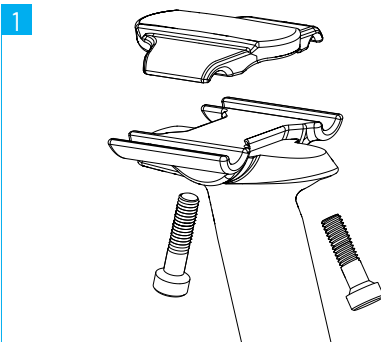
// MOUNTING THE PEDALS



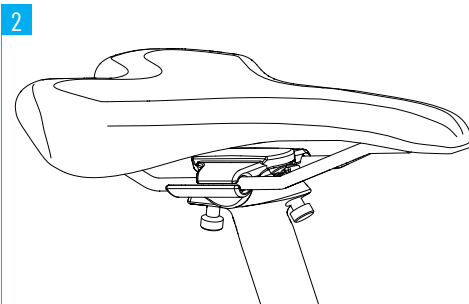
One of the pedals has a right- and the other a left-hand thread. Most pedals have the letter "L" and "R" stamped on the end of the thread. Some pedals come with a groove in the flange of the left pedal.

1. Slightly grease pedal thread.
2. If washers were provided with the cranks of your bike, fit them on the pedal threads.
3. Turn the left pedal counter-clockwise to screw it into the thread of the left crank arm and tighten the pedal to a torque of 35 Nm.
4. Turn the right pedal clockwise to screw it into the thread of the right crank arm and tighten the pedal to a torque of 35 Nm.

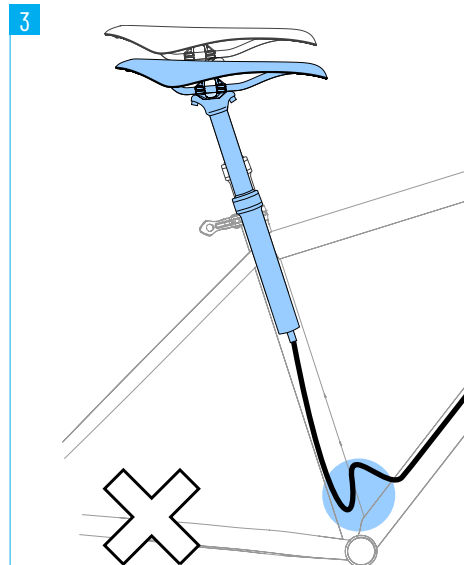
// MOUNTING THE SADDLE



Unscrew the bolts of the saddle clamp and remove the upper clamp.



1. Attach the upper clamp to the saddle frame.
2. Adjust the saddle to your personal preferences and screw in the clamping bolts.



Adjust the seat height:

Caution: When adjusting the seat height, the cable of the seat post must be pushed or pulled in or out the frame. Otherwise the cable may get damaged!

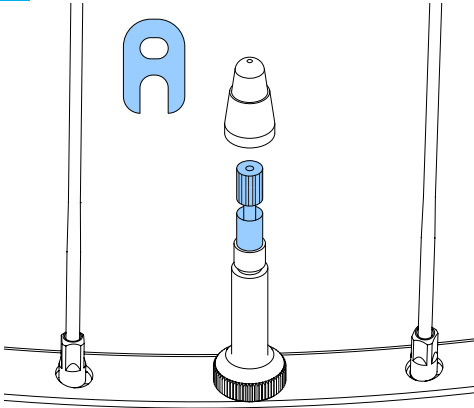
1. Open the saddle clamp.
2. Push the seat post carefully and slowly into the frame or pull the seat post out of the frame. At the same time push or pull the cable in or out the frame.
3. Close the saddle clamp.

// INFLATING THE TIRE

If you have ordered your bike without tubeless setup, inflate the tires to a pressure of about 2 bar.

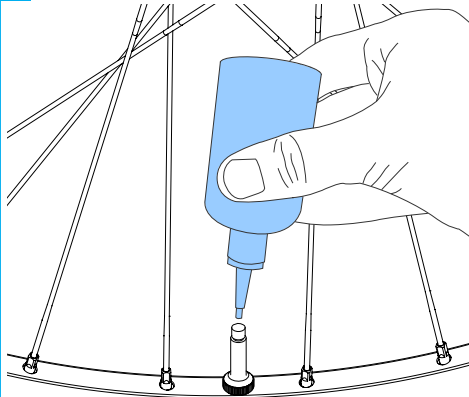
If you have ordered your bike with tubeless setup, you must fill both tires with the enclosed sealing fluid before the first ride.

1



1. Release the air from the tire completely.
2. Unscrew the valve cap.
3. Unscrew the valve insert from the valve using the valve key supplied.

2



1. Shake the provided sealing fluid for about one minute.
2. Fill the sealing fluid through the valve into the tire. Approximately 60 ml of sealing fluid should be used per tire.
3. Screw the valve insert into the valve using the valve key and tighten it by hand.

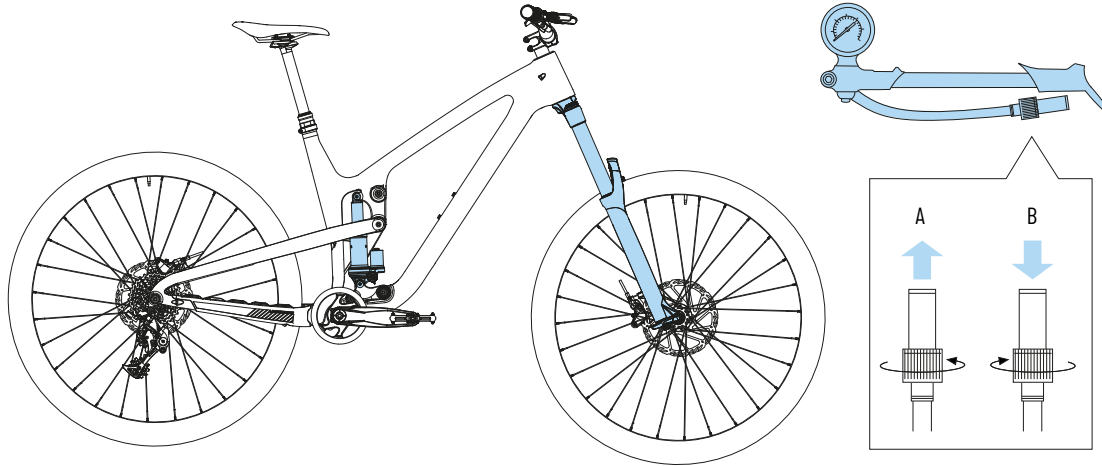
3

1. Inflate the tire to about 2 bar.
2. Check the correct fit of the tire.
 - The tire must contact the rim evenly around its entire circumference. If not, release the air, press the tire into the center of the rim bed and repeat the procedure.
 - Have the tire seat checked by a professional if in any doubt.
3. Slowly rotate and shake the wheel to distribute the sealing fluid over the entire inner surface of the tire.
4. After the tire bead is fully seated, reduce the pressure to your own requirements.
5. Screw on the valve cap.
6. Carry out a short test ride and check the tire pressure regularly.

// ADJUSTING THE SUSPENSION ELEMENTS

Your bike is delivered with a basic adjustment of the suspension elements. Before the first ride, the air pressure in the suspension elements must be adjusted to your body weight.

1



1. Unscrew the valve cap of the shock / fork.
2. Screw on the shock pump and pump the shock / fork up to the required pressure.
 - Observe the instructions for operating the shock pump.
 - We recommend a SAG* of 15% - 20% on the fork and 20% - 30% on the shock.
Please pay attention to the manufacturer's instructions of the suspension elements for the air pressure. The corresponding manuals are included.
3. Unscrew the shock pump and screw the valve cap onto the valve.

* The air pressure of your suspension elements is adjusted via the so-called SAG (negative travel). The SAG is the degree by which the shock and the fork compresses under the weight of the rider. To adjust the SAG, sit on the bike with all your cycling equipment (helmet, backpack, shoes, etc.) and take a normal riding position. No air can escape when unscrewing the shock pump.

// BEFORE YOUR FIRST RIDE

1 PROVISIONS FOR USE



Kategorie (siehe Anleitung) 5
Category (see manual) 5

Zulässige Gesamtmasse
Permissible total mass

max. 120Kg

Anleitung vor ersten
Gebrauch lesen!
Read manual
before use!

Observe the basic provisions for the TYEE:

INTENDED USE

The intended use of Bikes is divided into five different categories – ranging from the use on paved roads through to downhill or freeride use.

The TYEE must only be used in accordance with the provisions of Category 5 or below.

Details can be found in the user manual of your bike.

PERMISSIBLE TOTAL MASS

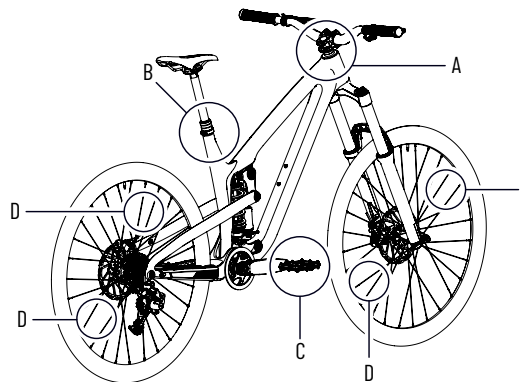
The permissible total mass (rider + bicycle + equipment + luggage) is 120 kg and may not be exceeded!

USER MANUAL

In addition to these instructions, please refer to the user manual of your bike. All information contained therein must have been read and understood!

2 REGULATIONS ACCORDING TO THE GERMAN TRAFFIC REGULATIONS (STRASSENVERKEHRS-ZULASSUNGSORDNUNG STVZO)

If you want to use the TYEE on public roads, a front and rear light, a white front reflector, a red rear reflector and spoke reflectors must be attached to the TYEE. If pedals are fitted retrospectively, make sure that they have yellow reflectors that act forwards and backwards. These regulations are for the use on public roads in Germany. If the bicycle is used in another country, the requirements applicable there must be observed.



Pos.	Description	Special notes
A	front light and white reflector	The front and rear lights and reflectors must be fitted at dusk, in the dark or whenever required by visibility conditions. The lights and reflectors must be fixed during operation and be protected against accidental movement under normal operating conditions and must be permanently operational. The front light must be set so that other road users are not blinded. The lights and reflectors must not be covered.
B	rear light and red reflector	
C	pedal reflector	Both pedals must have yellow reflectors working forward and backward.
D	spoke reflector	Two spoke reflectors must be fitted to the front and rear wheel.

// BEFORE YOUR FIRST RIDE

Before your first ride, check all basic functions of your bike to ensure that there are no assembly errors or transport damages. If there are any defects or flaws, you should have your bike inspected and repaired by a qualified bicycle mechanic. Never ride with a defective bike!

WHEELS / TIRES

Lift the wheels one after the other and spin them.

- The wheels must spin smoothly.
- The wheels must run true, without moving up and down or from side to side.
- The tires must not rub against the frame.

Check the tire pressure.

- The tire pressure should be about 2 bar. The maximum tire pressure of the wheel and of the tire used must not be exceeded.

Check the tightening torque of the thru axles.

- The lever of the thru axle of the front wheel must be closed firmly!
- The thru axle of the rear wheel must be tightened to 12 Nm!

COMPONENTS

Verify the tight fit of the stem: Stand in front of the bike with the front wheel between your knees and try to turn the handlebar left and right.

- It should not be possible to turn the handlebar with normal force.

Check the headset for play: Stand next to your bike, pull the front brake lever and gently push the bike backwards and forwards.

- No bearing play must be detectable.

Make sure that all components are tight.

- Tighten the parts to the proper torque, if need be. In case of doubt, contact the Propain Service.

FRAME

Check the frame for damages and deformation.

- There must be no damages.

FORK / SHOCK

Sit on the bike with all your cycling equipment (helmet, backpack, shoes, etc.) and take a normal riding position.

- We recommend a SAG of 15% - 20% on the fork and 20% - 30% on the shock.
- If necessary, change the air pressure of your suspension elements. If you have ordered a shock with steel spring you have already chosen a spring rate corresponding to your weight. Details can be found in the user manual of your bike.

BRAKES

Check brake efficiency: Pull one brake lever after the other while standing and push the bike backwards and forwards.

- The front and rear wheel must lock when the brake lever is pulled.

Check whether the brake hoses and connections are losing brake fluid and check them for defects.

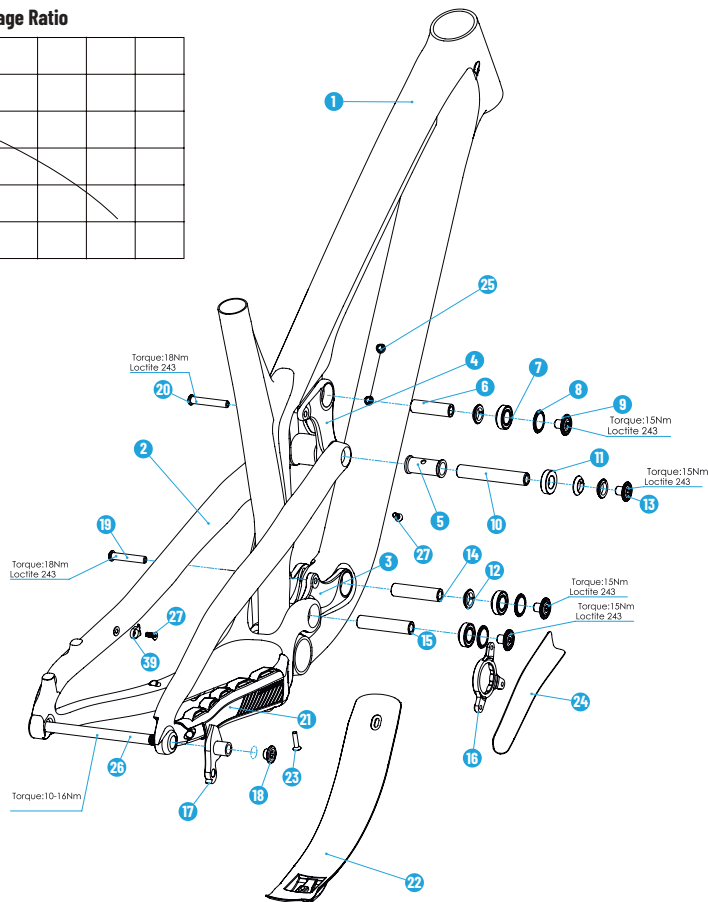
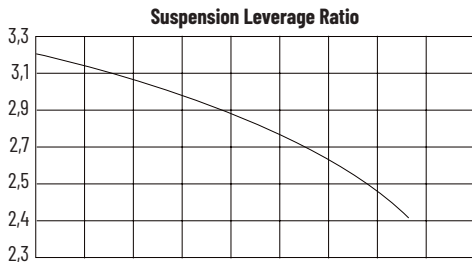
- Brake fluid must not escape at the connections.

Break in the brake pads. Choose a road away from public roads and brake 20 to 30 times with the front or rear brake from a speed of 30 km/h down to 5 km/h. You should brake as hard as possible without locking one of the wheels. Repeat the process for the other brake. Only then the brake can show its full braking power.

// NOTES



// TECHNICAL SPECIFICATIONS



TYEE - Standards

Shock length	210mm
Shock travel	55mm
Shock mount top	8mm x 35mm
Shock mount bottom	8mm x 30mm
Rear wheel travel	160mm
Bottom bracket	BSA 73mm
Brake mount	Post mount 180
Seat post diameter	31,6mm
Head set (S.H.I.S.)	Top: ZS49 / Bottom: ZS56
Rear wheel axle	Sixpack axle (148mm)
Rear hub width	148mm (Boost)
Front derailleur mount	None
Chain line	52 mm (boost)
Chain guide mount	ISCG 05
Tire size	29"(for 29"frame) & 27.5"(for 27.5" frame)
Maxium fork travel	170mm

NO	Propain partnumber-version	Description	QTY.
1	001045-AC	Front_triangle_Large	1
2	001112-AA	Rear_triangle_TyeeCF29 (or 27.5")	1
3	001044-AB	Lever_low	1
4	001163-AA	Upper_lever	1
5	001075-AA	Alu_Bushing	1
6	000988-AA	Axle_15dia_51mm_M10x1	1
7	000176-AA	Bearing_15x28x7_flange	6
8	000602-AB	Dust_cap_seal	6
9	000600-AB	15mm_Axle_Cap	6
10	001065-AA	Axle_15x91xM10_clamp_type	1
11	000006-AA	Bearing_15x28x7	2
12	000604-AA	Clamp_ring_15mm_axle	8
13	000605-AB	15mm_clamp_Axle_Cap	2
14	000616-AA	Axle_15dia_62mm_M10x1	1
15	001065-AA	Axle_15dia_71-5mm_M10x1	1
16	001076-AC	ISC6_05_removable_boost148	1
17	001117-AA	Hanger	1
18	001118-AA	Hanger_screw	1
19	000991-AA	Bolt_M8x44_custom	1
20	000992-AA	Bolt_M8x48_custom	1
21	001168-AA	Chain_stay_protector_TyeeCF	1

NO	Propain partnumber-version	Description	QTY.
22	001184-AA	DT_protector_Tyee_CF_2020	1
23	001225-AA	Bolt_M5x22_countersunk_DIN7991	1
24	001189-AB	SS_protector_Tyee_CF	1
25	000733-AA	Bolt_M5x13	2
26	000926-AC	Propain_Sixpack_X12_148mm_axle	1
27	000056-AA	Bolt_M5x12_countersunk	2

WE BUILD THE BEST BIKE FOR YOU

Congratulations on your new bike & thanks for your trust!

And now straight onto the bike! That's almost right, because it doesn't take long to assemble your bike. Nevertheless, please take the time to set up your bike correctly and read all safety-relevant information in this user manual. So you are safe on the road and have much more fun with the right setup. With our manuals you will learn step by step how to set up your bike correctly and get all the information you need. So you will be familiar with your bike in no time at all.

Now your bike has to come out of the box. It is best to have some space around you for the assembly. Our bikes come pre-assembled so that you don't have to have a specialist workshop at home or be a professional mechanic. You still can't get ahead? Then simply contact our customer service, whether via info@propain-bikes.com or under +49 (0)751 201 802 22. Together we will find a solution. One more request: We want you to have fun with your bike and be safe on the road. If you are unsure about the assembly, contact a professional. We cannot accept any liability if crashes and injuries occur due to incorrect installation or incorrect use.

Ready? Then we wish you lots of fun with your new bike!

PS: We are happy about your best pictures at [#propainbicycles](https://www.instagram.com/propainbicycles)

1. SPECIAL INFORMATION FOR PARENTS, GUARDIANS AND SUPERVISORS

This manual covers both adult, teenager and kid's bikes. Your child may already be riding a bike in a size that is intended for adults. All persons entrusted with the care or supervision of the child must know, understand and observe the following points.



DANGER

RISK OF ACCIDENTS DUE TO CARELESSNESS AND LACK OF SENSE OF RESPONSIBILITY OF THE CHILD!

Children are often unable to assess dangers correctly and often do not have the necessary experience and sense of responsibility to use a bike safely!

- Parents, guardians or supervisors are responsible for the safe use and perfect condition of the child's bike.
- The points listed on this page must be observed during every ride.
- In case of doubt, the PROPAIN Service or a qualified bicycle mechanic must be consulted.

As a parent, guardian or supervisor, you are responsible for the activities and safety of the child.

The following points are your responsibility:

- You must read this user manual and discuss the warnings, functions and use of the bike with your child before you let him or her ride the bike.
- You must fit the bike properly to the child or have it fitted properly.
- You must ensure that the bike is always in perfect condition.
- You and the child must have learned and understood the safe operation of the bike. The focus of the first rides should be to teach the child to brake safely and to use the bike safely.
- You and the child must have learned, understood and followed not only the applicable local laws for motor vehicles, bicycles and traffic, but also the common sense rules for safe and responsible cycling.
- You must ensure that your child always wears an approved bike helmet when riding, but also that your child understands that a bike helmet is only suitable for cycling and must be removed when not riding. A helmet may not be worn when playing, on playgrounds, on playground equipment, when climbing trees, or never when not riding a bike. Failure to observe this warning may result in serious injury or death.
- Parental supervision is required when using a kid's bike.

// USER MANUAL

- The supervising adult must observe at all times whether the child is assessing situations correctly and whether the bike is under control according to the requirements of the environment.
- You must make sure that the bike is the right size for the child. Both feet must touch the ground when the child is sitting on the saddle.

2. GENERAL

This user manual is the most important element to prevent any damages and risks during the use and servicing of your bike. It is provided to give you the most important information on your bike and to give you helpful tips over the entire life of your bike. If you have any doubts or uncertainties regarding the work on your bike, you should always consult a qualified bicycle mechanic or the PROPAIN service. Please read this manual carefully before taking the first ride on your new bike and make sure you understand everything. Ensure that third-party users are also informed about the contents of this manual and that they understand and follow all instructions. Keep this user manual for future reference. If you sell or give away your bike, please include this user manual. This user manual is also available at www.propain-bikes.com.

2.1 EXPLANATION OF SYMBOLS USED



DANGER

...indicates a hazard with a high level of risk which, if not avoided, will result in death or serious injury.



CAUTION

...indicates a hazard with a low level of risk which, if not avoided, may result in minor or moderate injury.



NOTE

... indicates a potentially hazardous situation that may result in damage to property.

2.2 TARGET GROUP

This manual is intended for you, the owner of the PROPAIN bike. For kids bikes, the target groups of this user manual are parents, guardians or the person supervising them (see also „1. Special information for parents, guardians and supervisors“). Assembly and maintenance works require basic knowledge in bike technology. If in doubt, consult a qualified bicycle mechanic. Improper assembly or maintenance of your bike may result in serious injury or death!

2.3 REQUIREMENTS TO OPERATE AN E-BIKE

The rider must be mentally and physically able to safely operate the bike over a longer period of time and longer distances. For beginners and those getting back into bike riding, special bike skills courses are recommended.

2.4 OWNER'S MANUALS SUPPLIED BY COMPONENT MANUFACTURERS

This user manual contains all information you need for a safe use of your bike. In addition to this user manual, your bike may be accompanied by some product information or user manuals from various component manufacturers. If need be, you can use those documents for further information on the respective product, its assembly and setup. The user manuals of some manufacturers might only be available online (also see „8.2 Further Information“).

2.5 TOOLS

Work on the bike may only be carried out with suitable tools. Screw connections must be tightened to a defined torque using a torque wrench. A proper installation and removal of components can only be guaranteed when using perfectly functioning and undamaged tools.

2.6 THE SPECIAL PROPERTIES OF CARBON

Carbon frames must not be clamped (e.g. into a work stand) or subjected to pressure in any other way. Always tighten carbon parts to the prescribed torque. Damage to carbon components is not necessarily immediately visible. If in doubt, consult a qualified bicycle mechanic. Carbon parts have a limited lifespan. Handlebars, seat posts, stems, cranks and wheels made from carbon should be replaced regularly (e.g. every three years). Intense heat permanently damages the carbon structure. Carbon parts must not be stored close to heat sources or in a vehicle in direct sunlight.

// USER MANUAL

2.7 INSTALLATION OF COMPONENTS AND ACCESSORIES

Bike trailers must only be fixed to the rear axle of the bike using special hitching devices. The connecting element between trailer and bike frame must not touch the bike frame. Child seats and trailers for clamp mounting on seat post or frame must not be used. No racks may be attached to the seat post or frame. Please read the manufacturers' manual before the installation of components and accessories. Make sure to not exceed the maximum system weight (see „2.10 Weight limit“) even with all add-on parts and accessories fitted!

2.8 WEARING PARTS

The components listed below should be checked regularly and replaced, if required:

- Tires and tubes
- Rims
- Brake rotors and brake pads
- Bearings (headset bearings, bottom bracket bearings, rear triangle bearings, hub bearings)
- Chain, cassette and sprocket
- Handlebars, stem and grips
- Saddle and seat post
- Grease, lubricant, hydraulic oil and brake fluid

- Shift cables and housings
- Fork and rear shock
- Stickers and paintwork

2.9 EXCHANGE OF COMPONENTS

This user manual is valid for the original condition of your bike. An exchange of components is always the responsibility of the user and must be carried out in consultation with a qualified bicycle mechanic or the PROPAIN Service. It is possible that the exchange of components will change the guarantee claims.

2.10 WEIGHT LIMIT



DANGER

UDANGER OF ACCIDENTS DUE TO EXCEEDING THE MAXIMUM SYSTEM WEIGHT!

The maximum system weight is the sum of rider, bike, equipment (helmet, backpack, shoes, clothes) and luggage. Exceeding the maximum system weight can weaken components and lead to sudden and uncontrolled component failure.

THE MAXIMUM SYSTEM WEIGHT OF PROPAIN BICYCLES IS:

- KIDS BIKES WITH 20" WHEEL SIZE: 40 KG.
- KIDS BIKES WITH 24" OR 26" WHEEL SIZE: 80 KG.
- PROPAIN MOUNTAINBIKES: 120 KG.

The maximum system weight must not be exceeded! If components are exchanged, their maximum system weight must not be less than that of the bike.

// USER MANUAL

2.11 EXCLUSION OF LIABILITY

The tasks described in this manual require special knowledge and should only be carried out by people with sufficient expertise. The user is liable for damages resulting from:

- Misuse or any other cause beyond the range of the intended use (see „3.4 Intended use“)
- Non-compliance with safety regulations
- Improper assembly, repair and maintenance
- Use of unapproved replacement parts and accessories
- Change of construction

If in doubt, a qualified bicycle mechanic or the PROPAIN service must be consulted.

3. SAFETY

3.1 GENERAL SAFETY



DANGER

RISK OF INJURY DUE TO INSUFFICIENT PROTECTIVE EQUIPMENT!

Effective safety equipment contributes to your personal safety.

- Always wear a helmet.
- When riding off-road, wear protectors for knees, elbows and back, as well as gloves and a full-face helmet.
- Always wear highly visible and reflective clothing.



DANGER

RISK OF ACCIDENT DUE TO IMPROPERLY INSTALLED COMPONENTS!

Improperly installed components can become loose or break during the ride!

- The assembly must be carried out according to the assembly instructions.
- In case of doubt, the PROPAIN Service or a qualified bicycle mechanic must be consulted.



DANGER

RISK OF ACCIDENT DUE TO REDUCED BRAKING PERFORMANCE CAUSED BY BRAKE PADS THAT ARE NOT BROKEN IN!

Disc brakes can only achieve full braking power when the brake pads are broken in. Choose a place off public roads to break in the pads.

- Brake 20 to 30 times with the front or rear brake from a speed of 30 km/h down to 5 km/h and repeat the process for the second brake. You should brake as hard as possible without locking one of the wheels.
- Please see the brake manufacturer's instructions for more information (see also „8.2 Further Information“).



DANGER

RISK OF ACCIDENT DUE TO SUDDEN TOTAL FAILURE OF PRE-DAMAGED COMPONENTS!

A crash or unplanned riding manoeuvres can pre-damage components of your bike unnoticed. Pre-damaged components can be deformed or break while riding.

- Check your components regularly and after a crash or accident for damage and malfunctions.
- Components that are subject to high stress must be regularly replaced and checked by a qualified bicycle mechanic. Damaged components must be replaced immediately.

// USER MANUAL

3.2 SAFETY IN PUBLIC TRAFFIC



DANGER

RISK OF ACCIDENTS DUE TO INCORRECT BEHAVIOR IN ROAD TRAFFIC!

You as a cyclist are the weakest link in road traffic. Accidents involving other road users usually end with serious consequences for cyclists!

- Follow the rules of public road traffic and all local traffic regulations.
- Drive concentrated, anticipatory and defensive. Always assume that other road users do not see you.
- Wear a helmet and highly visible and reflective clothing for each ride.



DANGER

RISK OF ACCIDENT DUE TO INSUFFICIENT EQUIPMENT FOR USE ON PUBLIC ROADS!

The equipment prescribed for bikes for use on public roads is primarily intended to ensure the visibility of cyclists. If you as a cyclist are not recognized or are recognized too late, accidents with serious consequences can happen.

- Your bike must be equipped with all country-specific components required for public road traffic!
- In addition to the risk of accident, failure to comply with the regulations can lead to the imposition of fines and loss of insurance cover.
- For rides abroad or cross-border rides, observe the legal requirements applicable there.

In Germany the necessary equipment for public road traffic is regulated in the "Straßenverkehrs-Zulassungs-Ordnung" (StVZO).

The following equipment must be fitted when you use your bike in traffic at dusk, at night or when visibility conditions otherwise require it:

Description	Special notes
White front light and white reflector	The lights and reflectors must be fixed during operation and be protected against accidental movement under normal operating conditions and must be permanently operational. The front light must be set so that other road users are not blinded.
Red rear light and red reflector	The lights and reflectors must not be covered.
Pedal reflector	Both pedals must have yellow reflectors working forward and backward.
Spoke reflector	Two spoke reflectors must be fitted to the front and rear wheel. Alternative: Tires with reflective strips or spoke sticks on each spoke.

3.3 DUTY OF CARE AND RESPONSIBILITY OF THE RIDER

Following the instructions specified in this manual does not absolve the riders from their duty of care to ensure that their bike is always in good condition. If you have any questions, a qualified bicycle mechanic or the PROPAIN service must be consulted.

As it is impossible to foresee all situations or circumstances that may occur during riding, this user manual does not guarantee the safe use of the bike under all conditions. There are risks associated with the use of bikes that cannot be predicted or avoided and are the sole responsibility of the rider.

3.4 INTENDED USE

The intended use of PROPAIN bikes is divided into five different categories – ranging from the riding on paved roads through to downhill or freeride use. The bikes must only be used in accordance with their intended purpose/use. Otherwise the user shall assume responsibility. A sticker on the frame of your bike will show you the intended use.

// USER MANUAL



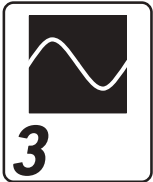
CATEGORY 1: FOR USE ON PAVED ROADS ONLY

Category 1 includes all bikes and components that should only be used on paved roads. The wheels are always in contact with the ground.



CATEGORY 2: FOR USE ON AND OFF THE ROAD AND FOR DROPS OF UP TO 15 CM

Category 2 includes all bikes and components that can be used in conditions described under category 1, as well as on gravel roads and moderate trails. The wheels may not always be in contact with the ground. Drops are intended to be limited to 15 cm or less.



CATEGORY 3: FOR USE IN ROUGH TERRAIN AND FOR JUMPS OF UP TO 61 CM

Category 3 includes all bikes and components that can be used in conditions described under category 1 and 2, as well as on rough trails and rough and unpaved roads that require good cycling skills. Jumps and drops should not be higher than 61 cm.



CATEGORY 4: FOR USE IN ROUGH TERRAIN AND FOR JUMPS OF UP TO 122 CM

Category 4 includes the use of bikes and their components under the conditions of categories 1, 2 and 3 as well as in very rough and partially blocked terrain with steeper sections and higher speeds. Regular, moderate jumps pose no problem for experienced riders when using these bikes. Extended and regular use in bike parks and when tackling "North Shore" sections should be avoided. Due to increased stresses, these bikes should be checked for damage after every ride. Full suspension bikes with mid-level travel are typical in this category.



CATEGORY 5: EXTREME BIKING (DOWNHILL, FREERIDE, DIRT)

Category 5 includes the use of bikes and their components under the conditions of categories 1, 2, 3 and 4 as well as in demanding, heavily blocked and extremely steep terrain, which can only be mastered by technically experienced and very well trained riders. In this category, big jumps are to be expected as well as intensive use in bike parks or on downhill tracks. With these bikes it is essential to ensure that after each ride an intensive check for possible damage is carried out. Pre-damages can lead to failure even if further stresses are significantly lower. A regular replacement of safety-relevant components should also be considered. Wearing appropriate protective gear is absolutely essential. Long travel full-suspension bikes but also dirt bikes characterize this category.

4. GUARANTEE / CRASH REPLACEMENT

4.1 GUARANTEE

Beyond the legal warranty obligation, we voluntarily grant an additional guarantee of 3 years for aluminium frames and 5 years for carbon frames from the date of sale on our bicycle frames (from model year 2016). The statutory warranty remains unaffected. Any contradictory or extended national rights of the purchaser are not affected by this guarantee. The guarantee covers all PROPAIN bicycle frames. The guarantee of the components is subject to the regulations of the respective manufacturer and is not part of the guarantee conditions listed here. The voluntary guarantee is only valid for the first purchaser of the product and requires a copy of the original sales receipt. Excluded from the guarantee are the painting or anodising of the frame, stickers, bearings, any parts subject to wear.

The guarantee does not apply to damage caused by improper use or use not in accordance with the intended purpose for the respective product as described on our website. In particular, these are, for example:

- Neglect of the product (insufficient care and maintenance)
- Changes to the frame (including engraving or painting)
- Additions and conversions of additional components not expressly approved by us or replacement of the components installed by us with components of a different type upon delivery
- Use of a bike without "bike park release" in the bikepark
- Continuous use of the bike with defective, poorly adjusted or worn out bearings and suspension elements

// USER MANUAL

- Use of the product with a seat post pulled out beyond the minimum insertion depth
- Overstress caused by jumps, falls or other types of stress
- Bent or torn derailleur hangers (fixing point of the rear derailleur) are subject to the effects of e.g. placing the rear derailleur on a stone or similar and therefore do not constitute a case of guarantee.

Compensation for damages or reimbursement of transport or installation costs are excluded. Furthermore, we do not bear any additional costs due to an interim model change. We reserve the right to repair the product or replace it with a successor product. In the event of a necessary replacement of the product, we will replace it in the same colour according to availability, but reserve the right to replace it in a different colour if it is not available.

4.2 CRASH REPLACEMENT

Our PROPAIN Crash Replacement (PCR) takes effect where a normal guarantee ends: In case of damage due to crashes. During such crashes large forces can act on the bike, destroying parts or the whole bike and making it unridable. That is why we have introduced our PCR program. It allows the first owner to purchase a new bike at low cost.

The prices and conditions of the crash replacement can be found at www.propain-bikes.com

DISC BRAKES:

1. Break in the brake pads.

Choose a road away from public roads and brake 20 to 30 times with the front or rear brake from a speed of 30 km/h down to 5 km/h. You should brake as hard as possible without locking one of the wheels. Repeat the process for the other brake. Only then the brake can show its full braking power.

Please see the brake manufacturer's instructions for more information (see also „8.2 Further Information“).

2. Check the functioning of the brakes while riding.



Normally, the rear brake is located on the right-hand side of the handlebar, and the front brake is on the left-hand side. However, if required, the brake levers can also be mounted the other way around.

If the positioning of the brake levers on your bike is new and unfamiliar, you will have to be careful on your first rides. Make yourself familiar with the functioning and power of the brakes while riding at reduced speed.

Many brakes offer the possibility to adjust bite point and lever reach. Please see the brake manufacturer's instructions for more information (see also „8.2 Further Information“).

CLIPLESS PEDALS:

3. Start practicing getting in and out of the pedals with one foot on the ground or when leaned against a wall. Only practice clipping in and out while riding after you have safely mastered the procedure while standing. The release tension of the engagement system is adjustable. Please see the pedal manufacturer's instructions for more information..

SHIFTING SYSTEM:

4. Shift through all gears while riding at reduced speed and choose the right gear.

→ You can shift into all gears.

→ In the highest and lowest gear, the limit screws don't allow the chain to drop off the cassette.

// USER MANUAL

5. BEFORE AND AFTER YOUR RIDE

5.1 BEFORE YOUR RIDE

To make sure your bike is safe to ride, you should carry out certain tasks before your ride. If there are any defects or flaws, you should have your bike inspected and repaired by a qualified bicycle mechanic. Never ride with a defective bike!

	TASK/CHECK	Before your first ride	Before each ride
Wheels / Tires	Lift the wheels one after the other and spin them. → The wheels must spin smoothly. → The wheels must run true, without moving up and down or from side to side. → The tires must not rub against the frame.	X	X
	Check the tire pressure. → The tire pressure should be about 2 bar. The maximum tire pressure of the wheel and of the tire used must not be exceeded (see also „8.4 Tire pressure“).	X	X
	Check the tightening torque of the thru axles. → The lever of the thru axle of the front wheel must be closed firmly! → The thru axle of the rear wheel must be tightened to 12 Nm!	X	X
	Lift the wheels one after the other and move the wheels to the side. → There must be no play.		X
	Check the freehub mechanism of the rear hub to ensure proper engagement: Sit down on your bike, pull the front brake and pedal with moderate force when standing. → The power must be transferred to the rear wheel. → The freehub must not slip.		X
	Check the tires for damages and wear. → There must be no damages. → The tires must not be worn so that the puncture protection belt or the carcass threads can be seen through the tread.		X

TASK/CHECK		Before your first ride	Before each ride
Brakes	<p>Check brake efficiency: Pull one brake lever after the other while standing and push the bike backwards and forwards. → The front and rear wheel must lock when the brake lever is pulled.</p>	X	X
	<p>Check whether the brake hoses and connections are losing brake fluid and check them for defects. → Brake fluid must not escape at the connections.</p>	X	X
	<p>Check the bite point of the brakes: Pull one brake lever after the other while standing. → The bite point must be felt around half way down the brake lever travel.</p>		X
	<p>Check the brake pads for wear. → The brake pads with a metal backing plate must be at least 0.5 mm thick.</p>		X
	<p>Check the disc rotor for wear. → Minimum thickness of brake rotors: Avid / Sram: 1.55 mm, Magura: 1.8 mm</p>		X
Components	<p>Verify the tight fit of the stem: Stand in front of the bike with the front wheel between your knees and try to turn the handlebar left and right. → It should not be possible to turn the handlebar with normal force.</p>	X	X
	<p>Check the headset for play: Stand next to your bike, pull the front brake lever and gently push the bike backwards and forwards. → No bearing play must be detectable.</p>	X	X
	<p>Make sure that all components are tight. → Tighten loose parts to the proper torque (see „8.3 Torques“). In case of doubt, contact the PROPAIN Service.</p>	X	X
	<p>Verify the tight fit of the seat post: Stand behind your bike, hold the saddle with one hand and try to turn it left and right. → It should not be possible to turn the saddle or seat post.</p>		X
	<p>Check the tight fit of the grips. → It shall not be possible to twist the grips by hand.</p>		X

// USER MANUAL

	TASK/CHECK	Before your first ride	Before each ride
Frame	Check the frame for damages and deformation. → There must be no damages.	X	X
	Check whether all cables and hoses are in the cable clips and verify the tight fit of the clips. → All cables must fit firmly in the cable clips.		X
	Check the tightening torques of the pivot points of the rear triangle and the shock mount. → You can find the torque values in the assembly instructions of your bike.		X
Suspension fork and rear shock	Check the suspension elements for damages. → There must be no damages.	X	X
	Sit on the bike with all your cycling equipment (helmet, backpack, shoes, etc.) and take a normal riding position. → We recommend a SAG of 15% - 20% on the fork and 20% - 30% on the shock. → If necessary, change the air pressure of your suspension elements. If you have ordered a shock with steel spring you have already chosen a spring rate corresponding to your weight.	X	

5.2 AFTER YOUR RIDE

CLEANING YOUR BIKE



DANGER

RISK OF ACCIDENT DUE TO BRAKE FAILURE OR REDUCTION OF BRAKING FORCE DUE TO DIRTY BRAKE PADS OR BRAKE ROTORS!

Brake pads and brake rotors must not come into contact with lubricating substances such as oil, grease (including skin grease), wax, silicone, Teflon etc.! Brake pads or brake contact surfaces contaminated in this way must no longer be used!

After your ride, you should clean your bike thoroughly using a soft cloth and clear water. Never use a high pressure washer! Stubborn dirt can be removed with special cleaning agents for bicycles and their components. Pay attention to the notes and recommendations for use printed on the respective cleaner. After having cleaned your bike, you must lubricate the chain (see „Chain maintenance“).

Pay particular attention to cleanliness in the area of the moving parts of the fork and the shock. Dirt in this area may cause premature wear and thus decrease the performance of your suspension elements.

CHAIN MAINTENANCE

The bike chain is the most important part of the drivetrain system. An oily chain attracts dirt and thus accelerates wear.

Please regularly follow the steps below to ensure a long and reliable service life of your chain:

1. Clean the chain with an oil-soaked cloth.
2. Lubricate the chain using chain oil.
3. Wipe away excess oil with a dry, lint-free cloth.

// USER MANUAL

PARKING YOUR BIKE

Bicycles should always be protected against falling down. It is often enough to fall from a standing position onto an edge to cause permanent damage to the frame or components. See also „7. Bike transport and storage“.

5.3 AFTER A CRASH



DANGER

RISK OF ACCIDENT DUE TO DAMAGED OR BROKEN COMPONENTS!

Crashes or exceptional stresses may cause unnoticed and invisible damages.

- Riding with damaged, bent or even torn parts is extremely dangerous.
- After a fall, the bike and its components must be checked by the PROPAIN service or by a qualified bicycle mechanic.
- Never fix bent parts yourself, but replace them for your own safety.

It is very hard to assess the level of damage of a carbon part. Damages cannot necessarily be seen from the outside. A scratch on the surface can indicate a delamination (a separation of the single carbon layers). Especially for lightweight bikes, it is often enough to fall down from a standing position to permanently damage frame or components. When suspecting a damage, you should always consult the PROPAIN service or a qualified bicycle mechanic. Damages on aluminium parts are indicated by dents, cracks, deformations or discolorations.

If you notice any sign of damage, the component or bike must no longer be used. When suspecting a damage, you should always consult the PROPAIN service or a qualified bicycle mechanic.

6. BIKE TRANSPORT AND STORAGE

6.1 TRANSPORT BY CAR

The best and safest way to transport your bike is in your car. Here, your bike is perfectly protected from the elements and from theft. Yet there are some things you should bear in mind:

- When exposed to direct sunlight, surfaces can get very hot inside a car. Carbon parts must be covered or protected from direct sunlight.
- Carbon parts are extremely sensitive to pressure. When stacking up parts, e.g. putting wheels onto a frame, the parts must be well padded. Many manufacturers offer special wheel bags for their wheels. In this way, the wheels are perfectly protected during transport.
- If the wheels are removed, a transport lock must be fitted between the dropouts of the frame or fork and between the brake pads of the disc brake.

6.2 TRANSPORT ON A HITCH OR ROOF RACK

Rear bike racks with clamps for top, down or seat tube are not suitable for carbon frames. The clamping force of the clamps may damage the carbon structure. Rims must be padded before fitting lashing straps or ratchet systems. When transporting several bikes on one hitch or roof rack, please make sure that there is sufficient space or padding between the bikes. If you want to transport bikes with carbon wheels on a hitch rack, please make sure that there is enough distance between the exhaust pipe and the wheel. The minimum distance is 45 cm behind the exhaust pipe and at least 20 cm on top. Please also note the user manual of the bike rack manufacturer.

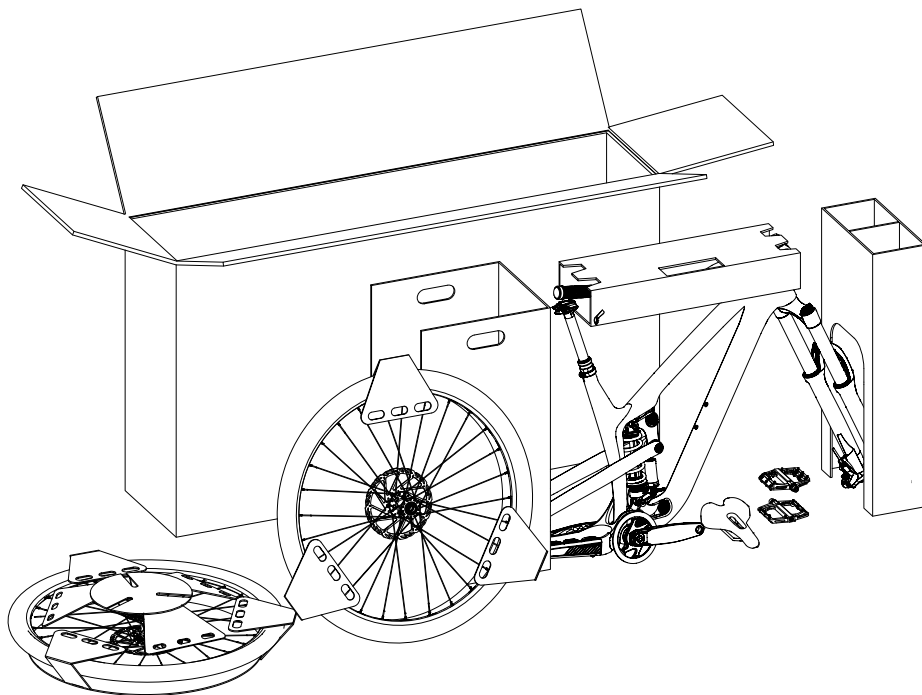
6.3 BIKE STORAGE

You should park your bike using an appropriate cycle stand which ideally only holds the rear wheel. Make sure to check the tire pressure when the bike has stood for a long time. You should not park your bike for longer with no air in the tires. Another alternative for the secure storage of your bike is to hang it onto a hook that is padded or covered with plastic or rubber. If you use a tubeless system, you should remove the sealing fluid from the tire when parking your bike longer than three months. Some sealants contain ingredients that increase corrosion and could thus damage the rim.

// USER MANUAL

6.4 BIKE SHIPPING

Depending on the size of the PROPAIN bike box, the bike can be shipped in different assembly states. Ship your bike in the same condition you've received it.



1. Secure or cover all loose or moving parts properly. Sharp or pointed components have to be wrapped additionally to make sure they won't damage other parts of your bike and won't tear through the outer packaging.
2. Remove the front wheel for shipping and wrap the front wheel in a cardboard box.
3. Screw the thru axles into the dropouts.
4. Position the cardboard box at the rear on the drive side.
5. Protect the top tube from damages through the handlebar by using appropriate material (e.g. foam tubing).

7. INSPECTION AND SERVICE



DANGER

RISK OF ACCIDENT DUE TO OVERDUE MAINTENANCE AND SERVICE!

When neglecting inspection and servicing, worn components may cause accidents.

- The service and inspection works and intervals mentioned in this user manual must be observed.
- Compliance with the maintenance and inspection activities and intervals is a prerequisite for maintaining warranty claims..

Only regular service and care will ensure that all parts of the bike function properly. You should carry out easy cleaning, care and inspection tasks yourself regularly (see „6. Before and after your ride“). The necessary service and inspection works must be carried out by PROPAIN or by a person with the necessary qualifications, depending on the service interval.

All information on inspection and service can also be found at www.propain-bikes.com.

// USER MANUAL

7.1 SERVICING THE COMPONENTS

In theory, you can carry out all service works yourself. If there is any doubt about your own abilities or if you lack special tools, the work must be carried out by PROPAIN or by a qualified bicycle mechanic.

COMPONENT	TASK	INTERVAL
Complete bike	Check tightening torques of all screws. Torque values, see „8.3 Torques“.	for the first time after 100 to 300 km or 5 to 15 h* then every 1500 km or 75 h*
Frame	Visual inspection of the frame for damage such as cracks and deformations, discoloration and chafing caused by the cable housing or brake hoses.	3 months
Suspension fork and rear shock	Visual inspection for damage such as cracks and deformations as well as discoloration.	3 months
	Small service	50 h / 3 months or according to manufacturer's specifications
	Full service	200 h / annually or according to manufacturer's specifications
Headset	Disassemble, clean, grease and reassemble all parts of the headset. Replace poorly running or corroded bearings.	6 months
Seat post	Disassemble, clean the seat post and seat tube of the frame and assemble it without using lubricants. Check the tightening torque. Torque of the seat post clamp and saddle clamp, see „8.3 Torques“.	3 months

COMPONENT	TASK	INTERVAL
Handlebars / Stem	Check the tightening torque. Torque values, see „8.3 Torques“.	3 months
Brakes	Check the wear of the brake pads. → The brake pad on the metal backing plate must be at least 0.5 mm thick.	regularly
	Check the brake rotors for wear. → Minimum thickness of the brake rotors: Sram/Avid: 1.55 mm, Magura: 1.8 mm	regularly
	Bleeding the brakes / changing the brake fluid	12 months
Wheels	Servicing the hub: Under normal operating conditions In case of extreme operating conditions (regular rides in dust, rain, snow, or in case of frequent transport while raining) Maintenance activities, see manufacturer's instructions.	12 months 3 months
	Replace tubeless rim tape.	12 months
	Check the tubeless rim tape for damages. The tubeless rim tape needs to be changed when <ul style="list-style-type: none"> the rim tape comes off the rim. the imprint comes off and the carrier material becomes visible. strong bulges at the spoke holes are visible inwards and the tape wrinkles strongly at the spoke holes. 	3 months
	Check the spoke tension, dish and wear of the wheel.	10 h*

// USER MANUAL

COMPONENT	TASK	INTERVAL
Tires / sealing fluid	<p>Remove the tires and check them for damage and embedded foreign objects. At the same time check the tubeless rim tape, see above.</p> <p>Replace or refill sealing fluid if necessary. Remove dried sealing fluid from the tires.</p> <p>We recommend 30 ml sealing fluid per tire.</p>	3 months
Gears / drive system	<p>Check wear of the chain with a chain wear gauge.</p> <p>→ The chain must be replaced when the maximum permissible elongation is measured with the chain wear gauge.</p> <p>The chainrings and the cassette should also be replaced when replacing the second chain.</p>	for the first time after 1000 km, then regularly
	Check the adjustment of rear derailleur and front derailleur.	3 months
	<p>When using an electronic gearshift or electronically dropper seat post: Change button cells.</p> <p>Battery type: CR2032</p>	2 years or when red LED is on or blinking

*h = operating hours For intervals with km- and h-intervals, the event that occurs first applies.

7.2 FURTHER INFORMATION

If you are sure that you have sufficient knowledge and skills, you can find all the necessary information about the above mentioned tasks on the websites of the component manufacturers. Please mind that you take responsibility for all jobs carried out by yourself and that warranty and guarantee claims expire in case of incorrect service or installation.

- SRAM / Rock Shox: sram.com/service
- Magura: www.magura.com/de/components/techcenter/
- Newmen: www.newmen-components.de
- Fox: www.ridefox.com
- Sixpack: www.sixpack-racing.com
- Bikeyoke: www.bikeyoke.de
- Stans: www.notubes.com
- Crankbrothers: www.crankbrothers.com

// USER MANUAL

7.3 TORQUES

All screw connections must be tightened with an appropriate torque wrench. Proper use prevents overtightening and breaking of the bolts.

The torques indicated below are for unlubricated threads. Lubrication affects the friction coefficient, so that you need to choose a lower torque for lubricated bolts.

The following table shows all necessary torques for your bike.

COMPONENTS	MANUFACTURER, MODEL	TORQUE
seat clamp	all	see lasered torque*
seat post clamp	all	see lasered torque*
caliper mount front and rear wheel	all	6 Nm
front wheel axle	all	see manufacturer's specifications
rear wheel axle	PROPAIN	12 Nm
lockring cassette	all	40 Nm
fixing screw rear derailleur	all	10 Nm
fixing screws brake rotors	all	6.2 Nm
Lockring Center Lock brake rotors	all	40 Nm
fixing screw crank	all	see lasered torque
Pedals	all	35 Nm
Handlebar control elements	all	see lasered torque* also observe the instructions of the handlebar manufacturer!
stem handlebar clamp	all	see lasered torque*
stem steerer clamp	all	see lasered torque*
Pivot points rear end	PROPAIN	see assembly instructions

*This torque is a value which must not be exceeded. Normally, a lower torque is sufficient for a safe connection. Especially when using assembly paste, the torque can often be reduced significantly below this value, as the solid particles in the assembly paste increase the friction significantly.

Tip: The lower the tightening torque of the screws, the less stress is placed on the component - this is particularly important for carbon components..

7.4 TIRE PRESSURE

The maximum tire pressure depends on the tire width and the inner rim width. The following table might be of help when adjusting the tire pressure. Do not exceed the maximum tire pressure! On bikes with originally fitted tires, the maximum tire pressure can be determined from the tire width. You can find the tire width on the sidewall of the tire. On mountainbikes, it makes sense to choose a tire pressure that is lower than the maximum pressure for higher grip. The minimum tire pressure is also marked on the tire sidewall and you should not fall below this value. The tire pressure for trail, enduro, freeride and downhill use should be about 1.5 to 1.9 bar at the front wheel and about 1.7 to 2.1 bar at the rear wheel.

// USER MANUAL

Rim width (inside width)					recommended tire width		Maximum tire pressure	
					[mm]	[inches]	[bar]	[psi]
21 mm					18	0,7	9,8	142
					20	0,8	9,3	135
					23	0,9	8,8	128
					25	1	8,3	120
					28	1,1	7,6	110
					30	1,2	7,0	102
					32	1,25	6,6	96
					35	1,35	5,8	84
					37	1,4	5,5	80
					40	1,5	5,3	77
					42	1,6	5,0	73
					44	1,7	4,8	70
					47	1,8	4,5	65
					50	1,9	4,2	61
					52	2	3,9	57
					54	2,1	3,6	52
					23 mm			
60	2,3	3,0	44					
62	2,5	2,7	39					
66	2,6	2,5	36					
69	2,7	2,3	33					
71	2,8	2,1	30					
25 mm								
27 mm								
29 - 40 mm								

// NOTES

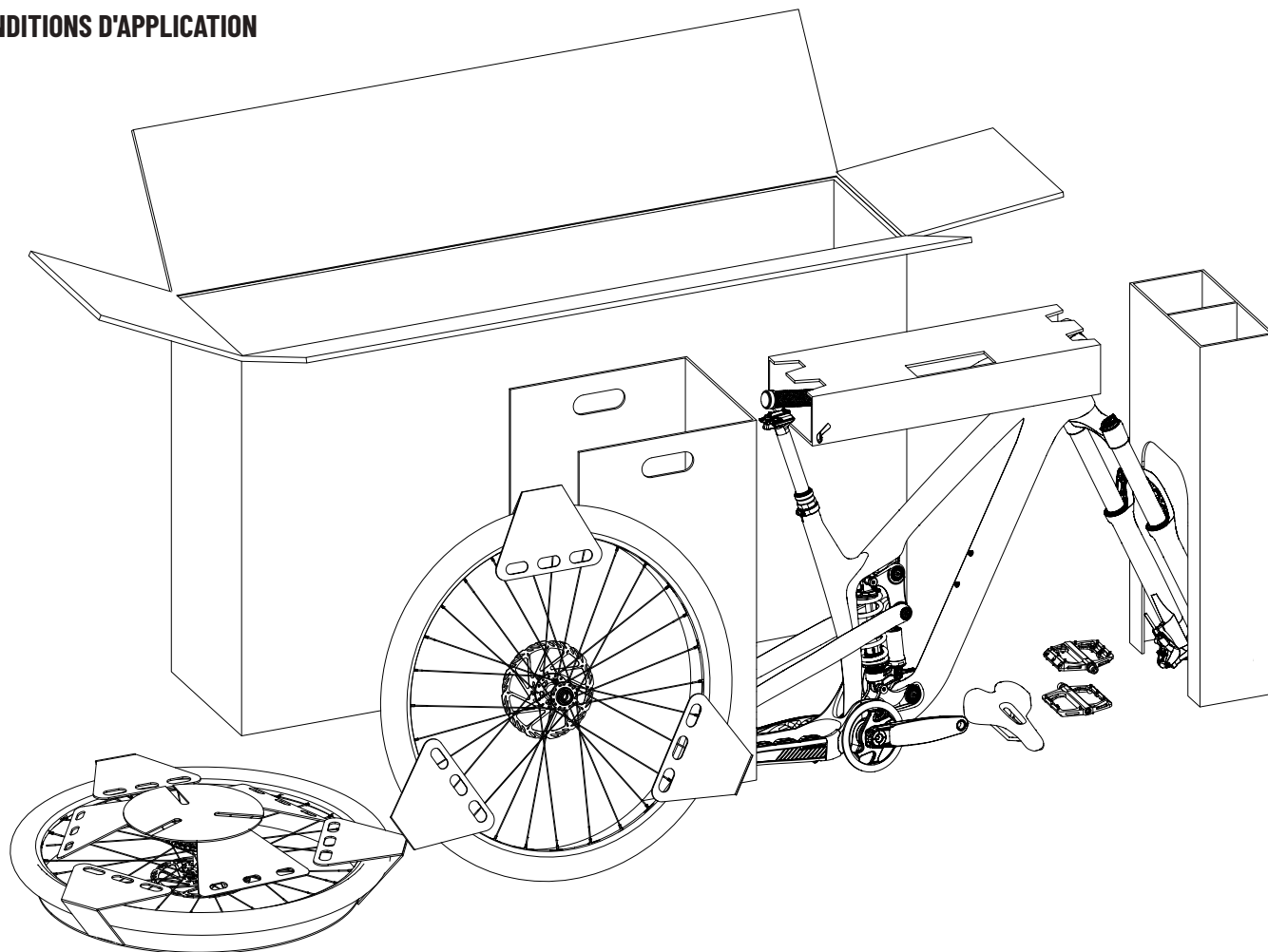
FR

PROPAIN



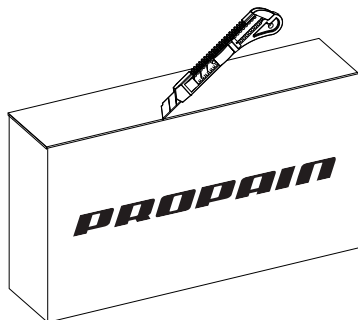
CUSTOM HANDCRAFTED
MOUNTAIN BIKES

// CONDITIONS D'APPLICATION



// DÉBALLAGE

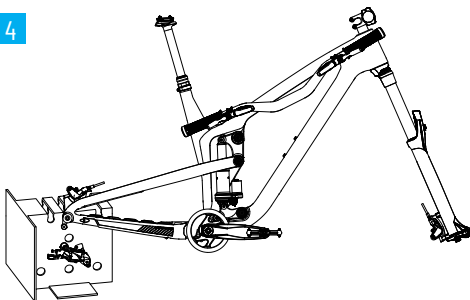
1



Ouvrez soigneusement le carton d'emballage sur son côté supérieur.

→ Vérifiez bien que les composants n'ont pas subi de dommage !

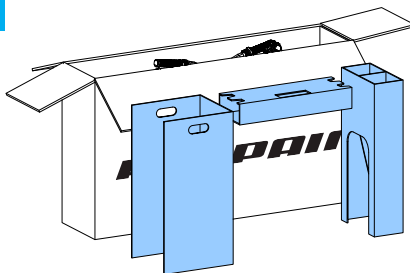
4



Retirez maintenant soigneusement le vélo du carton.

→ Faites bien attention au guidon, à la fourche et au dérailleur arrière. Pour la suite de l'assemblage, fixez le vélo sur un pied d'atelier ou placez-le au sol dans la fixation de triangle arrière.

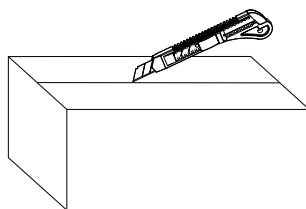
2



Retirez la fixation du guidon, du triangle arrière et de la fourche.

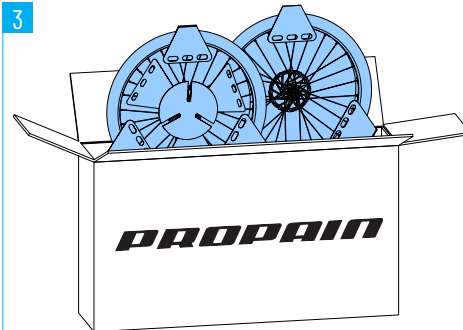
→ Lors du retrait, veillez à extraire soigneusement le guidon de sa fixation. Vous éviterez ainsi d'endommager la peinture avec le guidon.

5



Ouvrez le carton à petites pièces.

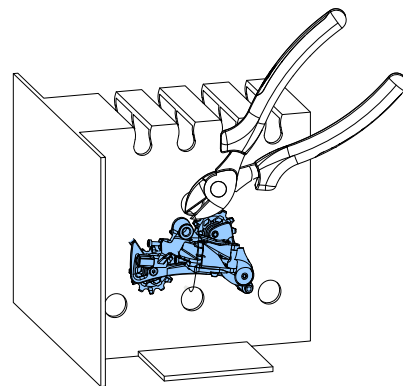
3



Sortez soigneusement les deux roues.

→ Soyez particulièrement vigilants lors de cette étape afin d'éviter tout dégât.

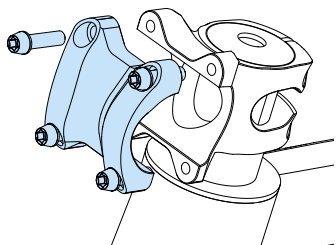
6



Libérez le dérailleur arrière de la fixation de triangle arrière.

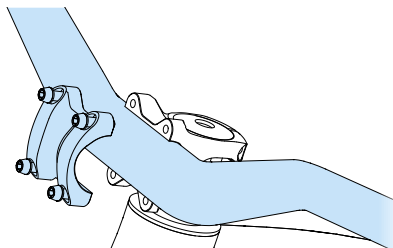
// MONTAGE DU GUIDON

1



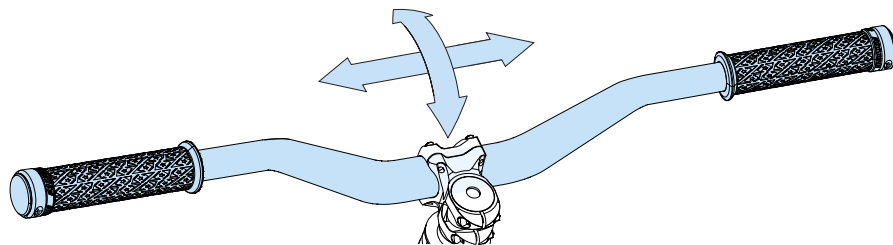
1. Desserrez les vis du collier de serrage de la potence.
2. Retirez le collier de serrage du guidon et les vis.

2



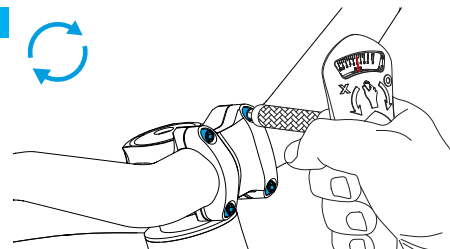
1. Mettez en place le guidon sur la potence.
2. Mettez en place le collier de serrage du guidon et tournez manuellement les vis sur quelques tours.

3



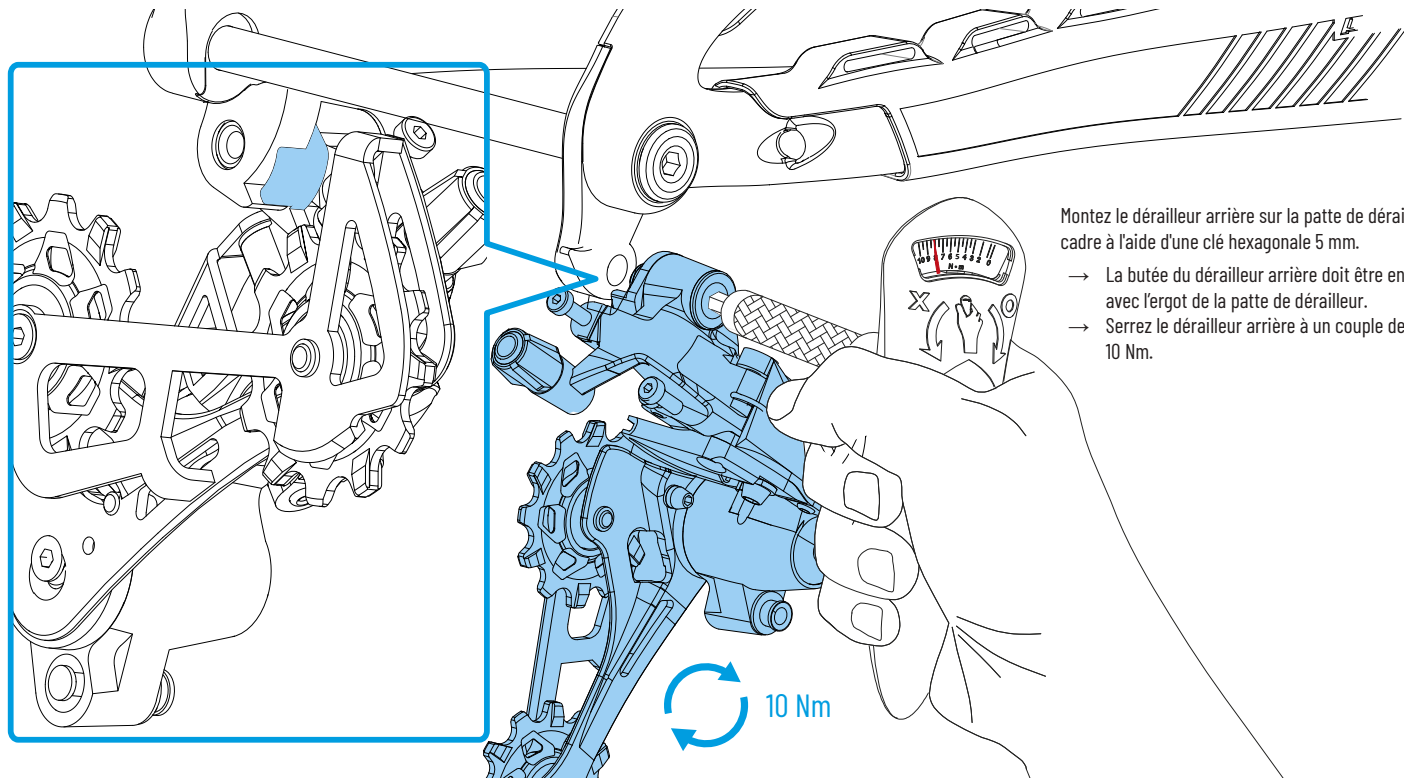
1. Disposez le guidon au centre et ajustez son inclinaison selon vos préférences.
2. Ajustez le levier de frein et la manette de changement de vitesse à l'inclinaison du guidon.

4



1. Vissez les deux vis de serrage supérieures et serrez-les au couple de serrage gravé au laser sur le collier ou la potence.
2. Vissez les deux vis de serrage inférieures et serrez-les au couple de serrage gravé au laser sur le collier.

// MONTAGE DU DÉRAILLEUR ARRIÈRE



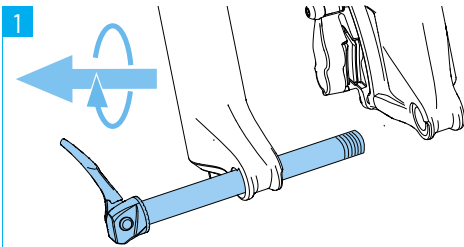
Montez le dérailleur arrière sur la patte de dérailleur du cadre à l'aide d'une clé hexagonale 5 mm.

- La butée de dérailleur arrière doit être en contact avec l'ergot de la patte de dérailleur.
- Serrez le dérailleur arrière à un couple de 10 Nm.

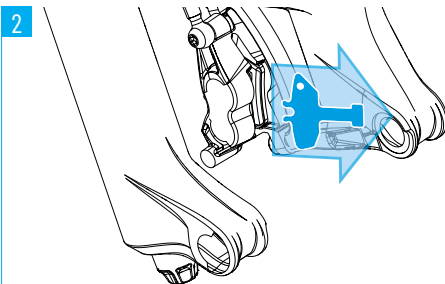
10 Nm

// MONTAGE DE LA ROUE AVANT

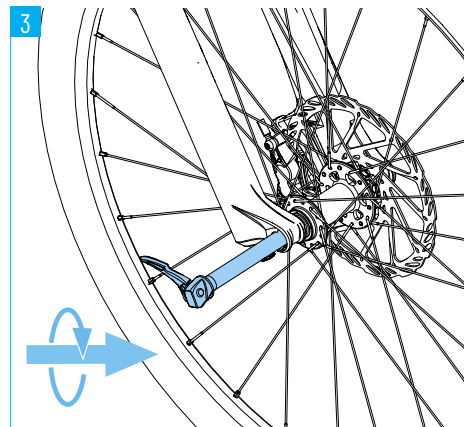
Selon le constructeur de la fourche de suspension, l'axe de roue doit être enfilé de la droite ou de la gauche à travers l'extrémité basse de la fourche.



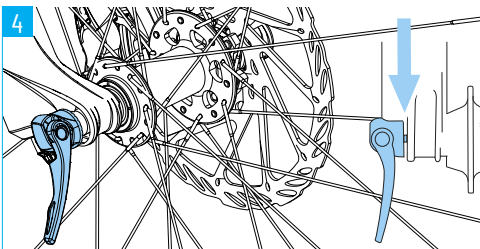
Retirez l'axe de roue de la fourche.



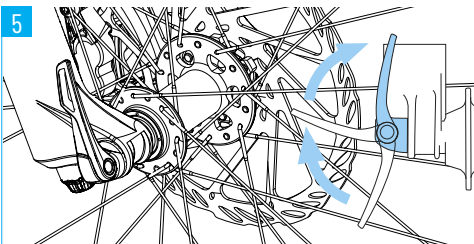
1. Retirez aussi le système de sécurité de transport entre les patins ou plaquettes de frein.
2. Gardez le système de sécurité pour un éventuel transport de votre vélo à un moment donné.



1. Passez la roue dans les pattes d'extrémité de la fourche. Le disque de frein doit alors être enfilé entre les plaquettes de frein.
2. Faites passer le levier de l'axe de roue en position ouverte et introduisez l'axe de roue du côté de la cassette (à droite dans le sens de la marche) dans les pattes d'extrémité de la fourche et dans le moyeu de la roue.

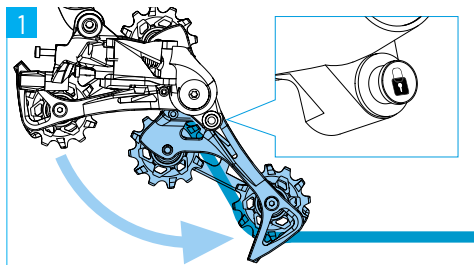



Vissez l'axe de roue dans le filetage de la patte de fourche jusqu'à ce que seul un petit interstice soit visible entre l'axe de roue et la patte de fourche.



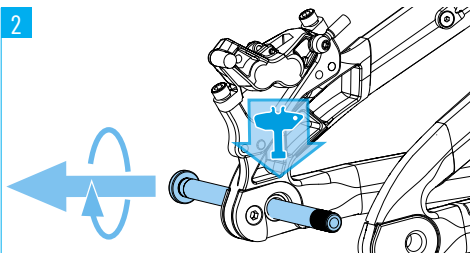
1. Rabattez le levier de l'axe de roue.
2. Il ne faut pas qu'il y ait encore un interstice entre l'axe de roue et la patte de fourche.
 - La fermeture du levier nécessite d'appliquer une pression manuelle croissante jusqu'à ce que le levier soit complètement rabattu.
 - Pour accroître la tension, rouvrez le levier et tournez-le dans le sens des aiguilles d'une montre. Refermez-le ensuite et vérifiez la tension à nouveau. Répétez cette procédure jusqu'à ce que la tension soit bonne puis rabattez le levier.

// MONTAGE DE LA ROUE ARRIÈRE

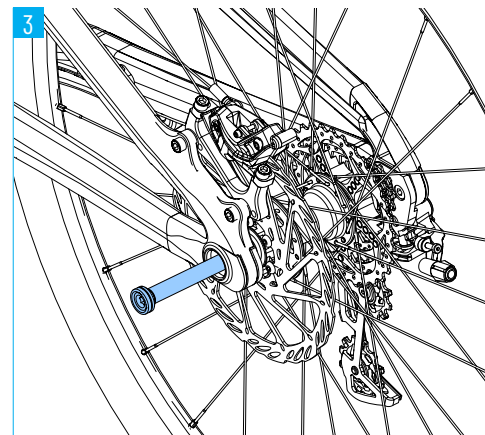


Activez la fonction Cage Lock. Pour ce faire, tirez la chappe du dérailleur arrière vers l'avant et appuyez sur le bouton Cage Lock de symbole .

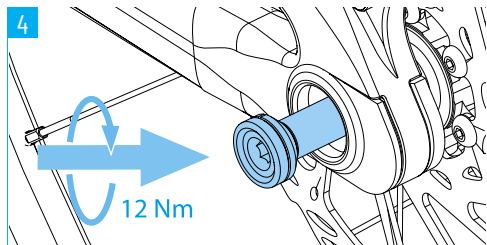
→ La chappe du dérailleur arrière reste en position inclinée vers l'avant lorsque la fonction Cage Lock est activée. La mise en place de la roue arrière est ainsi facilitée.



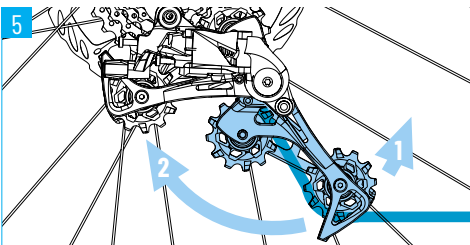
1. Retirez du cadre l'axe de roue.
2. Retirez aussi le système de sécurité de transport entre les patins ou plaquettes de frein.
3. Gardez le système de sécurité pour un éventuel transport de votre vélo à un moment donné.



1. Mettez la roue arrière en place dans les pattes d'extrémité du cadre.
 - Le disque de frein doit alors être enfilé entre les plaquettes de frein.
 - Placez la chaîne sur le plus petit pignon de la cassette.
2. Introduisez l'axe de roue dans les pattes d'extrémité de la fourche et dans le moyeu de la roue du côté frein (à gauche dans le sens de la marche).

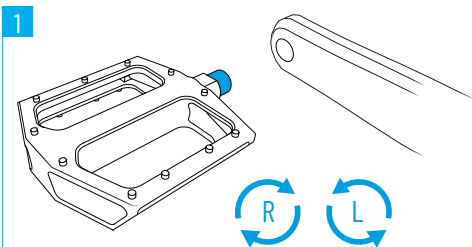


Faites tourner l'axe de roue à l'aide d'une clé hexagonale 6 mm dans les pattes d'extrémité et serrez l'axe de roue à un couple de 12 Nm.



Désactivez la fonction Cage Lock. Pour ce faire, tirez la chappe du dérailleur arrière légèrement vers l'avant et laissez prudemment le dérailleur arrière revenir à sa position d'origine.

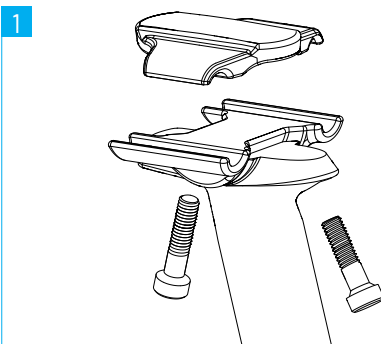
// MONTAGE DES PÉDALES



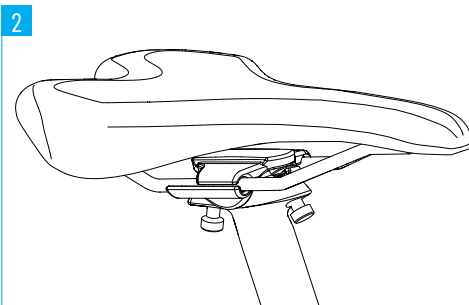
L'une de vos pédales possède un filetage à droite et l'autre un filetage à gauche. Le côté de montage des pédales est généralement identifié par la lettre « L » (gauche) ou « R » (droite). La pédale gauche de certaines pédales est marquée par une rainure dans l'axe.

1. Graissez légèrement le filetage de la pédale.
2. Si celles-ci sont disponibles, disposez des rondelles sur les filetages des pédales.
3. Faites tourner la pédale gauche dans le filetage de la manivelle gauche dans le sens inverse des aiguilles d'une montre et serrez-la avec une clé dynamométrique à un couple de serrage de 35 Nm.
4. Faites tourner la pédale droite dans le filetage de la manivelle droite dans le sens des aiguilles d'une montre et serrez-la avec une clé dynamométrique à un couple de serrage de 35 Nm.

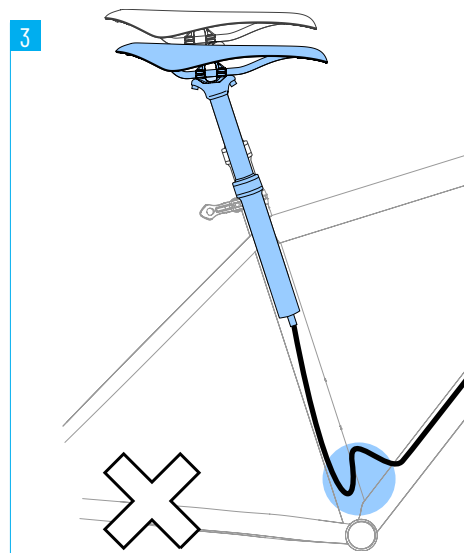
// MONTAGE DE LA SELLE



Retirez les vis du collier de serrage de la selle et ôtez le collier supérieur.



1. Fixez le collier de serrage supérieur aux triangles de la selle.
2. Orientez la selle selon vos préférences et vissez les boulons de serrage.



Réglage de la hauteur d'assise :

Attention : Lors du réglage de la hauteur d'assise, le câble doit accompagner la tige de selle. Dans le cas contraire, le câble peut se tordre et être endommagé.

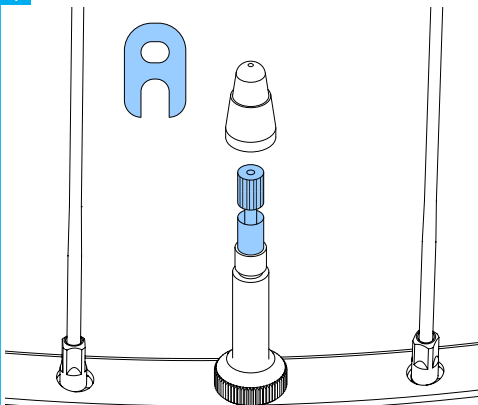
1. Ouvrez le collier de serrage de la selle.
2. Faites prudemment et lentement coulisser la tige de selle dans le cadre, dans un sens ou dans l'autre. Le câble doit accompagner simultanément le mouvement de la tige de selle au niveau de l'ouverture dans le cadre (le pousser ou le tirer).
3. Fermez le collier de serrage de la selle.

// GONFLER LES PNEUS

Si vous avez commandé votre vélo sans l'option Tubeless Setup, gonflez les pneus à une pression d'environ 2 bars.

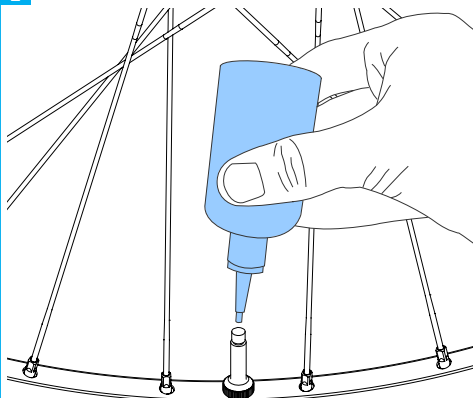
Si votre vélo dispose de l'option Tubeless Setup, avant la première sortie, introduisez dans les deux pneus le liquide d'étanchéité fourni.

1



1. Dévissez le bouchon de valve.
2. Dévissez l'insert de valve et extrayez-le de la valve à l'aide de la clé de valve fournie.

2



1. Agitez pendant environ une minute le liquide d'étanchéité fourni.
2. Introduisez le liquide d'étanchéité dans le pneu par la valve. Il convient d'utiliser environ 60 ml de liquide d'étanchéité par pneu.
3. Tournez l'insert de la valve à l'aide de la clé de la valve et serrez l'insert de la valve à la main.

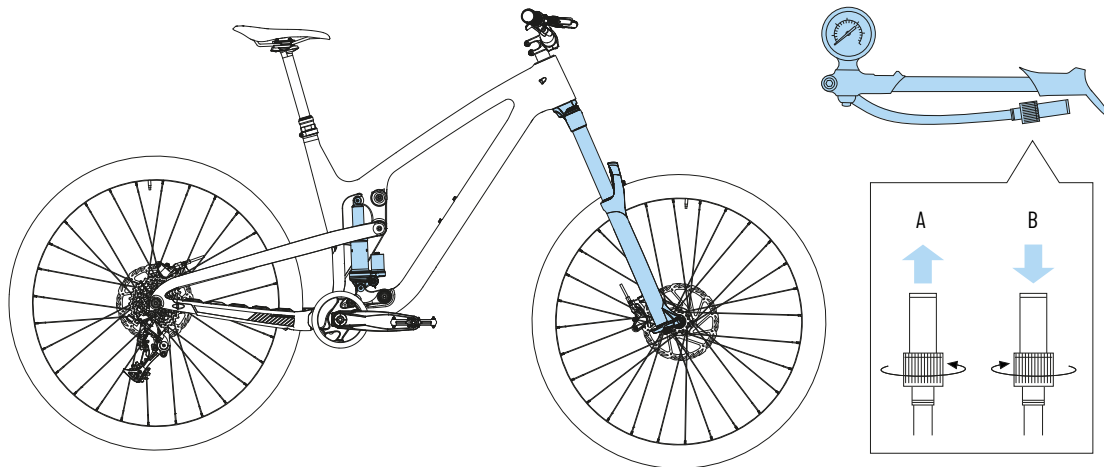
3

1. Gonflez le pneu à environ 2 bars.
2. Assurez-vous du bon positionnement du pneu.
 - Sur toute la circonférence, le pneu doit reposer de manière uniforme sur la jante. Si ce n'est pas le cas, évacuer l'air, enfoncer le pneu au centre de la base de la jante et répéter la procédure.
 - En cas de doute, faire vérifier la fixation du pneu par un spécialiste !
3. Faites tourner lentement la roue en l'agitant pour répartir le liquide d'étanchéité sur toute la surface intérieure du pneu.
4. Une fois que le pneu est étanche, évacuer de l'air pour atteindre la pression souhaitée.
5. Revissez le bouchon de valve.
6. Effectuez un bref parcours test et vérifiez régulièrement la pression des pneus.

// REGLAGE DES ELEMENTS DE SUSPENSION

Votre vélo est livré avec un réglage de base des éléments de suspension. Avant la première sortie, la pression de l'air dans les éléments de suspension doit être adaptée à votre poids.

1



1. Dévissez le bouchon de valve de l'amortisseur / de la fourche de suspension.
2. Visser la pompe à amortisseur et régler l'amortisseur / la fourche de suspension à la pression souhaitée.
 - Suivez les instructions d'utilisation de la pompe à amortisseur.
 - Nous recommandons une précontrainte (SAG) de 15 à 20 % sur la fourche de suspension et de 20 à 30 % sur l'amortisseur.
Respectez impérativement les recommandations du fabricant des éléments de suspension relatives à la pression de l'air. Les notices correspondantes sont jointes.
3. Dévisser la pompe à amortisseur et visser le bouchon de la valve.

*La pression de l'air dans vos éléments de suspension est ajustée par le biais de ce que l'on appelle le SAG (course négative de suspension). Le SAG est la mesure qui correspond à l'enfoncement de la fourche de faites un essai et de l'amortisseur en fonction du poids du cycliste. Pour la détermination du SAG, asseyez-vous sur le vélo avec votre équipement complet (casque, sac à dos, chaussures, etc.) et adoptez une position de conduite normale. L'air ne peut pas s'échapper lors du dévissage de la pompe à amortisseur.

// AVANT LA PREMIÈRE SORTIE

1 RÉGLEMENTATION RELATIVE À L'UTILISATION



Kategorie (siehe Anleitung) 5
Category (see manual) 5

Zulässige Gesamtmasse
Permissible total mass
max. **120Kg**

Anleitung vor ersten
Gebrauch lesen!
Read manual
before use!

Respectez la réglementation relative au TYEE :

UTILISATION CONFORME À LA RÉGLEMENTATION

Le champ d'utilisation des vélos est subdivisé en cinq catégories - des trajets sur chaussées bitumées à l'utilisation en freeride ou en descente sportive.

Le TYEE ne doit être utilisé qu'en conformité avec les dispositions de la catégorie 5 ou inférieure.

Plus de détails dans la notice d'utilisation de votre vélo.

POIDS MAXIMUM AUTORISÉ

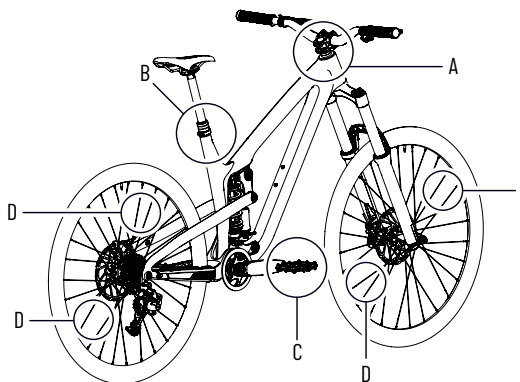
Le poids maximum autorisé (cycliste + vélo + équipement + bagages) est de 120 kg et ne doit pas être dépassé !

NOTICE D'UTILISATION

Outre cette notice, référez-vous au à la notice d'utilisation de votre vélo. Les informations du présent document doivent avoir été lues et approuvées !

2 RÉGLEMENTATION SELON LA LÉGISLATION ALLEMANDE SUR LES LICENCES ROUTIÈRES (STVZO)

Pour une utilisation du TYEE sur la voie publique, le TYEE doit être équipé de feux avant et arrière, d'un réflecteur blanc visible de l'avant, d'un réflecteur rouge visible de l'arrière et de réflecteurs sur rayons. Lorsque les pédales sont installées en deuxième monte, assurez-vous qu'elles sont bien dotées de réflecteurs jaunes à la fois à l'avant et à l'arrière. Veuillez vous renseigner d'avance sur les règlements valables dans le pays où vous faites du vélo.



Pos.	Désignation	Remarques particulières
A	Feu avant et réflecteur blanc	Les feux avant et arrière ainsi que les réflecteurs doivent être installés au crépuscule, dans l'obscurité ou lorsque les conditions de visibilité l'exigent. Les feux et les réflecteurs doivent être solidement fixés pendant le fonctionnement et protégés contre tout dérèglement intempêtif en conditions de fonctionnement normales. Ils doivent être opérationnels en permanence. Le feu avant doit être réglé de manière à ne pas aveugler les autres usagers de la route. Les feux et réflecteurs ne doivent pas être couverts.
B	Feu arrière et réflecteur rouge	
C	Réflecteurs de pédales	Les deux pédales doivent disposer de réflecteurs jaunes à l'avant et à l'arrière.
D	Réflecteurs de rayons	Les roues avant et arrière doivent disposer chacune de deux réflecteurs de rayons.

// AVANT LA PREMIÈRE SORTIE

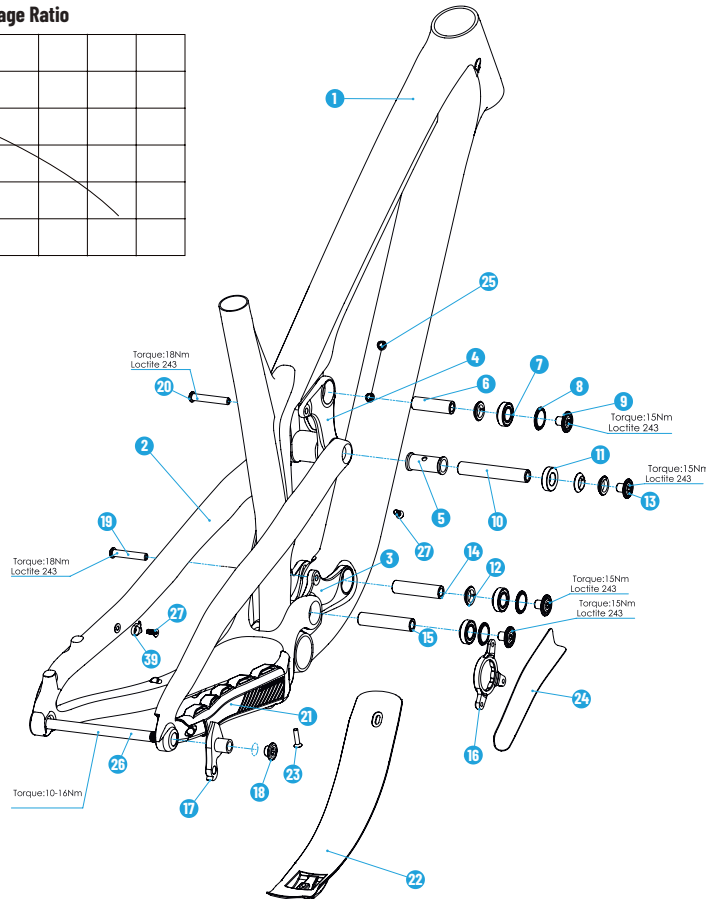
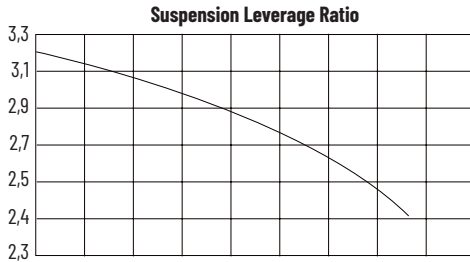
Avant votre première sortie, vérifiez toutes les fonctions de base de votre vélo afin de parer aux erreurs de montage ou aux dommages dus au transport. Si votre vélo présente des défauts ou dysfonctionnements, demandez à un mécanicien deux-roues diplômé de réviser votre vélo et d'éliminer les vices. Ne roulez jamais sur un vélo défectueux ou qui présente des défauts !

ROUES / PNEUS	<p>Soulevez la roue avant et la roue arrière l'une après l'autre et faites-les tourner.</p> <ul style="list-style-type: none">→ Il faut que les roues tournent impeccablement.→ Il faut que les roues tournent tout droit et qu'elles ne soient pas voilées.→ Il faut que les pneus n'entrent à aucun endroit en contact avec le cadre.
	<p>Vérification de la pression de gonflage.</p> <ul style="list-style-type: none">→ La pression de gonflage doit être d'environ 2 bar. Ne pas dépasser les pressions maximales prescrites pour la roue et le pneu utilisé.
	<p>Vérifier le couple de serrage des axes de roue.</p> <ul style="list-style-type: none">→ Le levier de l'axe de roue de la roue avant doit être serré fermement !→ L'axe de roue de la roue arrière doit être serré avec 12 Nm !
COMPOSANTS	<p>Vérifiez le serrage de la potence : placez-vous devant le vélo, coincez la roue avant entre les genoux et essayez de tourner le guidon.</p> <ul style="list-style-type: none">→ Il ne faut pas que le guidon tourne sans forcer anormalement.
	<p>Vérifiez si vous ressentez du jeu au niveau du jeu de direction : Debout à côté du vélo, actionnez le levier de frein avant et poussez légèrement le vélo vers l'avant et vers l'arrière.</p> <ul style="list-style-type: none">→ Il ne faut pas que vous notiez du jeu dans les roulements.
	<p>Vérifiez le serrage de tous les composants et éléments attachés au vélo.</p> <ul style="list-style-type: none">→ Les composants et éléments desserrés doivent être resserrés en respectant les couples prescrits. En cas de doute, contactez le service client Propain.
CADRE	<p>Vérifiez l'éventuelle présence de dommages et déformations sur le cadre.</p> <ul style="list-style-type: none">→ Celui-ci doit être exempt de tels défauts.
FOURCHE DE SUSPENSION / AMORTISSEUR	<p>Asseyez-vous sur le vélo avec votre équipement complet (casque, sac à dos, chaussures, etc.) et adoptez une position de conduite normale.</p> <ul style="list-style-type: none">→ Nous recommandons un SAG de 15 à 20 % à la fourche de suspension et de 20 à 30 % à l'amortisseur.→ Si nécessaire, changez la pression des suspensions. Pour un amortisseur avec ressort en acier, vous avez déjà choisi la dureté du ressort correspondant à votre poids lors de la commande. Plus de détails dans la notice d'utilisation de votre vélo.
FREIN	<p>Vérifier l'efficacité des freins : Debout à côté du vélo, actionnez les manettes de frein l'une après l'autre et bougez le vélo vers l'avant et vers l'arrière.</p> <ul style="list-style-type: none">→ La roue avant ainsi que la roue arrière doivent se bloquer lorsque le levier de frein reste actionné.
	<p>Vérifiez les conduites de frein et connecteurs quant à d'éventuelles fuites de liquide de frein ou autres défauts.</p> <ul style="list-style-type: none">→ Le liquide de frein ne doit pas fuir au niveau des connecteurs.
	<p>Rodez les plaquettes de frein. Pour ce faire, sélectionnez une voie à l'écart de la circulation routière et actionnez chaque frein 20 à 30 fois pour ralentir de 30 km/h à 5 km/h. Freinez aussi fort que possible mais sans que l'une ou l'autre roue bloque. Ensuite, répétez l'opération avec le deuxième frein. Les freins ne pourront déployer tout leur potentiel qu'après rodage.</p>

// NOTES



// SPÉCIFICATIONS TECHNIQUES



TYEE - Standards

Shock length	210mm
Shock travel	55mm
Shock mount top	8mm x 35mm
Shock mount bottom	8mm x 30mm
Rear wheel travel	160mm
Bottom bracket	BSA 73mm
Brake mount	Post mount 180
Seat post diameter	31,6mm
Head set (S.H.I.S.)	Top: ZS49 / Bottom: ZS56
Rear wheel axle	Sixpack axle (148mm)
Rear hub width	148mm (Boost)
Front derailleur mount	None
Chain line	52 mm (boost)
Chain guide mount	ISCG 05
Tire size	29"(for 29"frame) & 27.5"(for 27.5" frame)
Maxium fork travel	170mm

NO	Propain partnumber-version	Description	QTY.
1	001045-AC	Front_triangle_Large	1
2	001112-AA	Rear_triangle_TyeeCF29 (or 27.5")	1
3	001044-AB	Lever_low	1
4	001163-AA	Upper_lever	1
5	001075-AA	Alu_Bushing	1
6	000988-AA	Axle_15dia_51mm_M10x1	1
7	000176-AA	Bearing_15x28x7_flange	6
8	000602-AB	Dust_cap_seal	6
9	000600-AB	15mm_Axle_Cap	6
10	001065-AA	Axle_15x91xM10_clamp_type	1
11	000006-AA	Bearing_15x28x7	2
12	000604-AA	Clamp_ring_15mm_axle	8
13	000605-AB	15mm_clamp_Axle_Cap	2
14	000616-AA	Axle_15dia_62mm_M10x1	1
15	001065-AA	Axle_15dia_71-5mm_M10x1	1
16	001076-AC	ISC6_05_removable_boost148	1
17	001117-AA	Hanger	1
18	001118-AA	Hanger_screw	1
19	000991-AA	Bolt_M8x44_custom	1
20	000992-AA	Bolt_M8x48_custom	1
21	001168-AA	Chain_stay_protector_TyeeCF	1

NO	Propain partnumber-version	Description	QTY.
22	001184-AA	DT_protector_Tyee_CF_2020	1
23	001225-AA	Bolt_M5x22_countersunk_DIN7991	1
24	001189-AB	SS_protector_Tyee_CF	1
25	000733-AA	Bolt_M5x13	2
26	000926-AC	Propain_Sixpack_X12_148mm_axle	1
27	000056-AA	Bolt_M5x12_countersunk	2

// MANUEL D'UTILISATION

WE BUILD THE BEST BIKE FOR YOU

Félicitations pour l'achat de votre nouveau vélo et merci pour votre confiance !

Et maintenant, passons à votre vélo ! Patience, plus que quelques étapes de montage avant de pouvoir en profiter. Prenez le temps de régler correctement votre vélo et de lire toutes les informations relatives à la sécurité dans ce manuel d'utilisation. Ainsi, vous serez plus en sécurité sur la route et, avec les bons réglages, vous vous amuserez beaucoup plus. Avec nos manuels, vous apprenez pas à pas à monter correctement votre vélo et découvrez tout ce qu'il y a à savoir pour l'utiliser. Vous serez donc familiarisé avec votre vélo en un rien de temps.

Maintenant, vous pouvez sortir votre vélo de son carton. Prévoyez un peu de place autour de vous pour effectuer le montage. Nos vélos sont pré-montés. Vous n'avez donc pas besoin de disposer d'un garage à la maison et ne devez pas non plus être un mécanicien chevronné. Vous n'y arrivez pas ? Contactez le service client par e-mail à info@propain-bikes.com ou par téléphone au +49 (0)751 201 802 22. Nous trouverons ensemble une solution. Encore une chose : nous voulons nous assurer que vous vous amuserez avec votre vélo et profiterez de la route en toute sécurité. Si vous n'êtes pas sûrs de vous pendant le montage, contactez un professionnel. Nous déclinons toute responsabilité en cas de chutes et de blessures dues à une utilisation ou un montage incorrects.

Prêts ? Alors amusez-vous bien avec votre nouveau vélo !

P.S. : N'hésitez pas à partager vos meilleures photos avec le hashtag [#propainbicycles](#)

1. INFORMATIONS IMPORTANTES POUR LES PARENTS, TUTEURS LÉGAUX ET PERSONNES CHARGÉES DE LA SURVEILLANCE

Ce manuel d'utilisation couvre les vélos pour adultes, les adolescents et les enfants. Il arrive qu'un enfant utilise un vélo dont la taille est prévue pour un adulte. Toute personne chargée de la garde ou de la surveillance de l'enfant doit connaître, comprendre et respecter les points suivants.



DANGER

RISQUE D'ACCIDENT DÙ À L'INSOUCIANCE ET AU MANQUE DE SENS DES RESPONSABILITÉS DE L'ENFANT !

Les enfants peuvent avoir des difficultés à évaluer le danger et ne disposent pas de l'expérience et du sens des responsabilités nécessaires pour utiliser un vélo en toute sécurité !

- Les parents, tuteurs légaux et personnes en charge sont responsables de l'utilisation en sécurité et du bon état de fonctionnement du vélo de l'enfant.
- Les points mentionnés sur cette page doivent être vérifiés avant chaque utilisation.
- En cas de doutes, consultez le service après-vente PROPAIN ou un mécanicien deux-roues diplômé.

En tant que parent, tuteur légal ou personne chargée de la surveillance, vous êtes responsables des activités et de la sécurité de l'enfant.

Les points suivants relèvent de votre responsabilité :

- Lisez ce manuel d'utilisation et expliquez à l'enfant les mises en garde ainsi que les fonctions et les instructions d'utilisation du vélo avant de le laisser partir à vélo.
- Réglez ou faites régler le vélo pour l'adapter à l'enfant.
- Assurez-vous que le vélo est toujours en bon état de fonctionnement.
- L'enfant et vous devez avoir appris à utiliser le vélo correctement et en toute sécurité, et avoir compris les risques qui peuvent découler d'une mauvaise utilisation. Le point central de la première utilisation est d'amener l'enfant à apprendre à freiner correctement et à utiliser le vélo en toute sécurité.
- L'enfant et vous devez connaître, comprendre et suivre non seulement les lois locales applicables aux véhicules à moteur, aux vélos et à la circulation sur route en générale, mais également les règles de bon sens pour faire du vélo de manière sûre et responsable.
- Assurez-vous que l'enfant porte toujours un casque de vélo adapté, mais également que l'enfant comprend que le casque est utile pour faire du vélo et doit être retiré lorsqu'il n'utilise pas son vélo. Il ne faut pas porter le casque pour jouer, aller dans des aires de jeu, utiliser des équipements d'aires de jeu, grimper aux arbres... le casque doit être retiré lorsque l'enfant n'est pas sur son vélo. Le non-respect de cette mise en garde peut provoquer des blessures ou même la mort.
- L'utilisation d'un vélo pour enfant nécessite la surveillance d'un adulte.

// MANUEL D'UTILISATION

- L'adulte chargé de la surveillance doit observer à tout moment si l'enfant évalue correctement les situations et si le vélo est maîtrisé selon les exigences de l'environnement.
- Assurez-vous que le vélo est à la bonne taille pour l'enfant. Les deux pieds de l'enfant doivent toucher le sol lorsque l'enfant est assis sur la selle.

2. INFORMATIONS GÉNÉRALES

Ce manuel d'utilisation est l'élément essentiel pour utiliser et entretenir assidûment votre vélo sans danger et sans l'endommager. Il doit vous transmettre les connaissances de base et vous donner des conseils utiles pendant toute la période où vous allez utiliser votre vélo. Si vous avez des doutes ou questions sur la réalisation de certaines tâches, veuillez consulter dans tous les cas un mécanicien deux-roues diplômé ou le service après-vente PROPAIN. Veuillez lire attentivement ce manuel d'utilisation avant d'utiliser votre vélo pour la première fois et assurez-vous de tout comprendre. Assurez-vous aussi que les utilisateurs tiers sont informés sur le contenu de ce manuel d'utilisation et qu'ils l'ont bien compris et le respectent. Conservez ce manuel d'utilisation pour pouvoir le consulter ultérieurement. Si vous vendez ou donnez votre vélo, veuillez également inclure ce manuel d'utilisation. Ce manuel d'utilisation est également disponible sur le site web www.propain-bikes.com.

2.1 TABLEAU DES SYMBOLES



DANGER

... définit une mise en danger accrue, ayant pour conséquence des blessures graves ou la mort, si elle n'est pas évitée.



ATTENTION

... définit une mise en danger faible, ayant pour conséquence des blessures insignifiantes à modérées, si elle n'est pas évitée.



NOTE

... définit une mise en danger de biens.

2.2 PERSONNE CONCERNÉE

Le groupe cible de ce manuel d'utilisation, c'est vous, propriétaire du vélo PROPAIN. Le groupe cible de ce manuel d'utilisation pour les vélos pour enfants sont les parents, les tuteurs légaux ou encore les personnes chargées de la surveillance de l'enfant (voir également « 1. Informations importantes pour les parents, tuteurs légaux et personnes chargées de la surveillance »).

La condition préalable du montage et de l'entretien du vélo est le savoir-faire et les connaissances techniques de base du vélo. En cas de doute, consultez dans tous les cas un mécanicien deux-roues diplômé. Le mauvais montage ou le mauvais entretien de votre vélo peuvent conduire à des accidents graves qui peuvent être mortels !

2.3 APTITUDE DU CYCLISTE

Il est indispensable que le cycliste soit physiquement et mentalement capable de conduire le vélo en sécurité sur une longue période et distance. Il existe des cours spécifiques pour les débutants, novices ou personnes qui reprennent le vélo.

2.4 MANUELS D'UTILISATION DES FABRICANTS DE COMPOSANTS

Ce manuel d'utilisation contient toutes les informations nécessaires pour utiliser en sécurité votre vélo. En plus de ce manuel d'utilisation, diverses informations sur des produits ou manuels d'utilisation des fabricants de divers composants sont également inclus. Consultez-les si besoin pour monter ou régler certains éléments du vélo ou pour avoir de plus amples informations sur les produits. Il se peut que les manuels d'utilisation de certains fabricants ne soient disponibles qu'en ligne (voir aussi « 8.2 Informations complémentaires »).

2.5 OUTILLAGE

Effectuez les tâches d'entretien du vélo uniquement avec l'outillage approprié. Les raccords vissés doivent être resserrés à l'aide d'une clé à molette possédant un couple de serrage bien défini (une clé dynamométrique). Ce n'est qu'en utilisant un outillage en bon état et à l'excellent fonctionnement que l'on peut garantir le montage et le démontage impeccables des composants.

2.6 PARTICULARITÉS DU CARBONE

Il ne faut pas serrer les cadres en carbone (p. ex. dans la griffe d'un pied d'atelier) ou les soumettre à une autre sorte de pression. Les composants en carbone sont à visser uniquement avec le couple prescrit. Les éventuels dégâts causés aux composants en carbone ne sont pas forcément visibles immédiatement après un incident. En cas de doute, consultez systématiquement un mécanicien deux-roues diplômé.

// MANUEL D'UTILISATION

Les composants en carbone ont une durée de vie limitée. Un cintre, une tige de selle, une potence, un pédalier et des roues en carbone doivent être remplacés à intervalles réguliers (p. ex. tous les trois ans). La forte chaleur peut endommager durablement la structure du carbone. Les composants en carbone sont à garder loin des sources de chaleur et en dehors des véhicules qui sont exposés à l'insolation directe.

2.7 MONTAGE DES COMPOSANTS ET ACCESSOIRES

Il ne faut attacher les remorques à vélo à l'axe arrière du vélo qu'à l'aide d'un dispositif spécial prévu à cet effet. Les éléments d'accrochage entre la remorque et le cadre du vélo ne doivent pas toucher le cadre du vélo. Il ne faut pas utiliser des sièges enfants et remorques que l'on fixe par un collier de serrage sur la tige de selle ou le cadre. Aucun porte-bagage ne doit être attaché à la tige de selle ni au cadre du vélo. Avant de monter des composants, accessoires ou autre, veuillez lire le manuel d'utilisation du fabricant concerné. Le poids maximum du système (voir « 2.10 Poids maximum ») ne doit en aucun cas être dépassé ! Attention au poids des composants et accessoires montés !

2.8 PIÈCES D'USURE

Les composants figurant sur la liste ci-dessous devraient être contrôlés régulièrement et remplacés au besoin :

- pneus et chambres à air
- jantes
- disques de frein et plaquettes de frein
- roulements (jeu de direction, boîtier de pédalier, roulements au triangle arrière, roulements des moyeux)
- chaîne, cassette et pignons
- cintre, potence et poignées
- selle et tige de selle

- graisse, lubrifiant, huile hydraulique, liquide de frein
- câbles et gaines de dérailleur
- fourche suspendue et amortisseur
- autocollants et peinture

2.9 REMPLACEMENT DES COMPOSANTS

Ce manuel d'utilisation s'applique à l'état initial de votre vélo. Le remplacement de tout composant relève de la seule responsabilité de l'utilisateur et doit être réalisé en consultation avec un mécanicien deux-roues diplômé ou le service après-vente PROPAIN. Il est possible que les termes de la garantie changent en cas de remplacement de composants.

2.10 POIDS MAXIMUM



DANGER

RISQUE D'ACCIDENT DÙ AU DÉPASSEMENT DU POIDS MAXIMAL DU SYSTÈME !

Le poids maximal du système est obtenu en additionnant le poids du cycliste, du vélo, de l'équipement (casque, sac à dos, chaussures, habillement) et du bagage. Dépasser le poids maximal du système affaiblit les composants, ce qui peut causer une défaillance soudaine et incontrôlée des composants.

LE POIDS MAXIMAL DU SYSTÈME DES VÉLOS PROPAIN EST :

- VÉLOS POUR ENFANTS AVEC ROUES 20" : 40 KG.
- VÉLOS POUR ENFANTS AVEC ROUES 24" OU 26" : 80 KG.
- VÉLOS TOUS TERRAINS PROPAIN : 120 KG.

Il ne faut en aucun cas dépasser le poids maximum admis ! Lorsque les composants sont remplacés, faites en sorte que leur poids maximal ne soit pas maximal autorisé ne soit pas inférieur à celui du vélo.

// MANUEL D'UTILISATION

2.11 DECHARGE DE RESPONSABILITE

Les tâches décrites dans le présent manuel d'utilisation doivent être réalisées par des personnes qui ont les connaissances techniques nécessaires. L'utilisateur répond des dégâts à la suite :

- de l'usage incorrect (voir « 3.4 Utilisation conforme »)
- du non-respect des règlements importants relevant de la sécurité
- du montage, de la réparation ou de l'entretien incorrects
- du montage de pièces de rechange ou d'accessoires non admis
- de la modification de la configuration montée par nos soins

En cas de doute, veuillez svp consulter un mécanicien deux-roues diplômé ou le service après-vente PROPAIN.

3. SÉCURITÉ

3.1 SÉCURITÉ GÉNÉRALE



DANGER

RISQUE DE BLESSURE DÛ À L'ÉQUIPEMENT DE PROTECTION NON APPROPRIÉ !

Porter un équipement de protection approprié contribue largement à votre sécurité personnelle.

- Portez toujours un casque quand vous faites du vélo.
- Lorsque vous roulez hors-route, portez des protections pour les genoux, les coudes et le dos, ainsi que des gants et un casque intégral.
- Portez également des vêtements réfléchissants que l'on perçoit plus facilement.



DANGER

RISQUE D'ACCIDENT DÙ AUX COMPOSANTS MONTÉS INCORRECTEMENT !

Les composants mal montés peuvent se desserrer ou se briser lors de leur utilisation !

- Le montage doit être exécuté conformément aux prescriptions de ce manuel d'utilisation.
- En cas de doutes, consultez le service après-vente PROPAIN ou un mécanicien deux-roues diplômé.



DANGER

RISQUE D'ACCIDENT DÙ À LA CAPACITÉ DIMINUÉE DE FREINAGE SUITE AUX PLAQUETTES DE FREIN NON RODÉES !

Ce n'est qu'après un rodage soigneux des plaquettes de frein, que les freins à disque arrivent à déployer à l'intégralité leur force de freinage. Rodez les freins sur une rue qui ne fait pas partie des voies publiques.

- Freinez 20 à 30 fois avec le frein avant ou le frein arrière en ralentissant de 30 km/h à 5 km/h et répétez cette procédure avec le deuxième frein. Freinez aussi fort que possible mais sans que l'une ou l'autre roue bloque.
- Tenez également des indications du fabricant de vos freins (voir aussi « 8.2 Informations complémentaires »).



DANGER

RISQUE D'ACCIDENT DÙ À LA DÉFAILLANCE IMPRÉVUE DE COMPOSANTS PRÉ-ENDOMMAGÉS !

Une chute ou une manœuvre imprévue peuvent endommager les composants de votre vélo de manière invisible. Les composants pré-endommagés peuvent se déformer ou se briser lors de leur utilisation !

- Vérifiez régulièrement les composants et, après une chute ou un accident, vérifiez bien que le vélo n'est pas endommagé et fonctionne correctement.
- Il faut remplacer régulièrement les composants fortement sollicités et faire appel à un mécanicien deux-roues diplômé pour les réviser à intervalles réguliers. Faites remplacer les composants usés ou endommagés.

// MANUEL D'UTILISATION

3.2 SÉCURITÉ ROUTIÈRE



DANGER

RISQUE D'ACCIDENT DÙ À UN COMPORTEMENT INAPPROPRIÉ SUR ROUTE !

En tant que cycliste, vous êtes le maillon le plus faible du trafic routier. Les accidents impliquant d'autres usagers de la route ont généralement de graves conséquences pour les cyclistes !

- Respectez les règles du code de la route et tous les règlements de circulation locaux.
- Restez concentrés, anticipez et pensez à votre sécurité quand vous conduisez. Partez toujours du principe que les autres usagers de la route ne vous voient pas.
- Portez toujours un casque et des vêtements réfléchissants et bien visibles lorsque vous faites du vélo.



DANGER

RISQUE D'ACCIDENT DÙ À L'ÉQUIPEMENT INAPPROPRIÉ POUR LA CIRCULATION ROUTIÈRE !

Les équipements prescrits pour les vélos destinés à être utilisés sur la voie publique sont principalement destinés à assurer la visibilité des cyclistes. Des accidents aux conséquences graves peuvent se produire si le cycliste n'est pas vu ou est vu trop tard.

- Votre vélo doit être équipé de tous les composants spécifiques au pays requis pour la circulation sur la voie publique !
- En plus du risque d'accident, le non respect des réglementations peut entraîner des amendes et la perte de la couverture d'assurance.
- Respectez les exigences légales applicables lorsque vous faites du vélo à l'étranger ou dans des zones transfrontalières.

En Allemagne, les équipements nécessaires à la circulation routière publique sont réglementés dans la « Straßenverkehrs-Zulassungs-Ordnung » (StVZO).

Les équipements suivants doivent être installés lorsque vous utilisez votre vélo dans la circulation au crépuscule, la nuit ou lorsque les conditions de visibilité l'exigent :

Désignation	Remarques particulières
Éclairage frontal blanc et réflecteur blanc	Les feux et les réflecteurs doivent être solidement fixés pendant le fonctionnement et protégés contre tout dérèglement par inadvertance dans des conditions de fonctionnement normales. Ils doivent être opérationnels en permanence.
Éclairage arrière rouge et réflecteur rouge	Le feu avant doit être réglé de manière à ne pas aveugler les autres usagers de la route. Les feux et réflecteurs ne doivent pas être couverts.
Réflecteurs de pédales	Les deux pédales doivent disposer de réflecteurs jaunes à l'avant et à l'arrière.
Réflecteurs de rayons	Les roues avant et arrière doivent disposer chacune de deux réflecteurs de rayons. Alternative : Pneus avec bandes réfléchissantes ou bâtonnets de rayon sur chaque rayon.

3.3 DEVOIR DE DILIGENCE ET RESPONSABILITÉ DU CYCLISTE

Ce manuel d'utilisation ne dispense pas le cycliste de l'obligation de veiller à l'état de propreté et au fonctionnement impeccable du vélo. En cas de questions, consultez un mécanicien deux-roues diplômé ou le service après-vente PROPAIN. Il est impossible de prévoir toutes les situations ou circonstances qui peuvent se produire pendant la conduite. Ce manuel d'utilisation ne garantit donc pas une utilisation sûre du vélo dans toutes les conditions. Certains risques liés à l'utilisation du vélo ne peuvent être prévus ou évités et relèvent de la seule responsabilité du cycliste.

3.4 UTILISATION CONFORME

Les champs de pratique des vélos PROPAIN sont subdivisés en cinq catégories – de sorties sur des routes bitumées aux secteurs de freeride ou de downhill. Les vélos doivent être utilisés uniquement conformément aux dispositions d'utilisation. Dans le cas contraire, l'utilisateur assume la responsabilité des conséquences.

La définition de l'utilisation conforme de votre vélo est communiquée sur l'autocollant affichant le champ de pratique sur le cadre de votre vélo.

// MANUEL D'UTILISATION



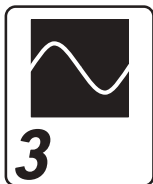
CATÉGORIE 1 : UTILISATION UNIQUEMENT SUR LES ROUTES ASPHALTÉES

La catégorie 1 identifie les vélos et ses composants à utiliser sur les routes stabilisées. Les vélos demeurent à tout moment en contact avec le sol.



CATÉGORIE 2 : UTILISATION SUR ROUTE ET CHEMINS CARROSSABLES ET DES DIFFERENCES DE NIVEAUX DE MOINS DE 15 CM

La catégorie 2 identifie les vélos et ses composants à utiliser sur les terrains mentionnés dans la catégorie 1 ainsi que sur le gravier et les trails modérés. Les vélos peuvent perdre le contact avec le sol. Les niveaux à surmonter doivent être de moins de 15 cm de hauteur.



CATÉGORIE 3 : UTILISATION SUR TERRAIN RIGoureux ET DES SAUTS DE MOINS DE 61 CM

La catégorie 3 identifie les vélos et ses composants à utiliser dans les conditions mentionnées dans les catégories 1 et 2 ainsi que sur les trails accidentés, les terrains rigoureux et non stabilisés qui demandent une technique supérieure de conduite. Les sauts et niveaux à surmonter doivent être de moins de 61 cm de hauteur.



CATÉGORIE 4 : UTILISATION SUR TERRAIN RIGoureux ET DES SAUTS DE MOINS DE 122 CM

La catégorie 4 identifie les vélos et ses composants à utiliser dans les conditions mentionnées dans les catégories 1, 2 et 3 ainsi que les terrains très accidentés et partiellement bloqués, avec des pentes plus raides et les vitesses plus élevées qui y sont associées. Les sauts réguliers et modérés réalisés par des cyclistes expérimentés ne représentent pas de problèmes pour ces vélos. Cependant, une utilisation régulière et permanente des vélos sur les pistes de la North-Shore et dans les parcs à vélos est à exclure. En raison des charges plus élevées subies par ces vélos, ils doivent être vérifiés après chaque sortie afin de détecter d'éventuels dommages. Les vélos à suspension complète et à débattement moyen sont typiques de cette catégorie.



CATÉGORIE 5 : CHAMP DE PRATIQUE EXTRÊME (DOWNHILL, FREERIDE, DIRT)

La catégorie 5 identifie les vélos et ses composants à utiliser dans les conditions mentionnées dans les catégories 1, 2, 3 et 4 ainsi que les terrains exigeants, fortement bloqués et à pentes extrêmement raides, qui ne peuvent être maîtrisés que par des cyclistes expérimentés et très bien entraînés. Les grands sauts à très grande vitesse et l'utilisation intensive dans les parcs à vélos ou sur des itinéraires de descente désignés sont typiques de cette catégorie. Après chaque sortie, effectuez impérativement un contrôle intensif de ces vélos pour vérifier qu'ils ne présentent pas de dommages éventuels. En cas de pré-dommages, des contraintes supplémentaires nettement inférieures peuvent également causer une défaillance. Le remplacement régulier des composants importants pour la sécurité ne doit pas être négligé. Le port de protections spéciales est expressément recommandé. Les vélos à suspension complète et à débattement long sont typiques de cette catégorie.

4. GARANTIE / CRASH REMPLACEMENT

4.1 GARANTIE

Au-delà de l'obligation légale de garantie, nous accordons volontairement une garantie supplémentaire sur nos cadres de vélo de 3 ans pour les modèles en aluminium et de 5 ans pour les modèles en carbone à partir de la date de vente (à partir du modèle 2016). La garantie légale n'en est pas affectée. Les autres droits nationaux ou étendus de l'acheteur ne sont pas affectés par cette garantie. La garantie couvre tous les cadres de vélo PROPAIN. La garantie des composants est soumise à la réglementation du fabricant respectif et ne fait pas partie des conditions de garantie énumérées ici. La garantie volontaire n'est valable que pour le premier acheteur du produit et nécessite une copie de la facture originale. La peinture ou l'anodisation du cadre, les autocollants, les roulements et les pièces d'usure éventuelles sont exclus de la garantie. La garantie ne s'applique pas non plus aux dommages causés par une utilisation incorrecte ou non conforme à l'usage prévu pour le produit concerné, tel que décrit sur notre site web. Par exemple :

- Négligence du produit (soins et entretien insuffisants)
- Modifications sur le cadre (peinture ou gravure entre autres)
- Ajouts et transformations de composants supplémentaires non expressément approuvés par PROPAIN ou remplacement des composants installés par nos soins à la livraison par des composants d'un autre type
- Utilisation dans un parc à vélo d'un vélo non prévu pour une telle utilisation
- Utilisation prolongée du vélo avec des roulements et des éléments de ressort défectueux, mal réglés ou usés

// MANUEL D'UTILISATION

- Utilisation du produit avec une tige de selle prolongée au-delà de la profondeur d'insertion minimale
- Utilisation excessive due à des sauts, des chutes ou autre
- Les pattes de dérailleur pliées ou déchirées (point de fixation du dérailleur arrière) sont soumis aux effets, par exemple, de la pose du dérailleur arrière sur une pierre ou similaire, et ne constituent donc pas un cas de garantie.

L'indemnisation pour les dommages ou le remboursement des frais de transport ou de montage sont exclus. En outre, nous ne supportons aucun coût supplémentaire dû à un changement de modèle provisoire. Nous nous réservons le droit de réparer le produit ou de le remplacer par un produit équivalent. S'il est nécessaire de remplacer le produit, nous le remplacerons dans la même couleur en fonction de la disponibilité, mais nous nous réservons le droit de le remplacer dans une couleur différente s'il n'est pas disponible.

4.2 CRASH REMPLACEMENT

Notre garantie Crash Remplacement (PCR) PROPAIN intervient là où la garantie normale s'arrête : En cas de dommages dus à des chutes. Lors d'une chute, des forces importantes peuvent agir sur le vélo, détruisant des parties ou l'ensemble du vélo, ce qui le rend inutilisable. C'est pourquoi nous avons mis en place le programme PCR. Cela permet au premier propriétaire de remplacer son vélo par un neuf à moindre coût.

Le prix et les conditions de Crash Remplacement sont disponibles sur le site www.propain-bikes.com

5. PREMIÈRE SORTIE ET FAMILIARISATION AVEC VOTRE NOUVEAU VÉLO

Familiarisez-vous avec le comportement, les freins, la transmission et, le cas échéant, les suspensions de votre vélo sur un terrain facile à l'écart de la circulation routière publique. N'oubliez pas de porter un casque ! N'osez affronter qu'au fur et à mesure des terrains plus difficiles ou faire de manœuvres moins rassurantes. Conditions préalables :

- Le vélo a été assemblé selon les instructions de montage.
- La hauteur d'assise est réglée de manière à rouler, monter et descendre confortablement.
- Les tâches figurant dans le tableau « Avant la sortie » (voir « 6. Réglages avant et après une sortie EN vélo ») ont été exécutées correctement.

FREINS À DISQUE :

1. Rodez les plaquettes de frein.

Pour ce faire, sélectionnez une route qui ne fait pas partie de la circulation routière publique et actionnez chaque frein 20 à 30 fois pour ralentir de 30 km/h à 5 km/h. Freinez aussi fort que possible mais sans que l'une ou l'autre roue bloque. Ensuite, répétez l'opération avec le deuxième frein. C'est seulement après avoir rodé les freins qu'ils pourront déployer tout leur potentiel. Tenez aussi compte des indications du fabricant de vos freins (voir aussi « 8.2 Informations complémentaires »).

2. Vérifiez en conduite l'opérationnalité des freins.



En règle générale, la manette de frein arrière est montée à droite du guidon, la manette de frein avant à gauche. Au souhait, les manettes de frein peuvent être montées à l'inverse.

Dans le cas où l'ordre sur votre vélo vous est inconnu et inhabituel, il faut être très prudent lors de vos premières sorties. Roulez lentement d'abord pour vous familiariser avec le fonctionnement et la force de freinage de vos freins.

Sur de nombreux freins, il est possible d'ajuster le point de pression et/ou la garde du levier. Tenez compte des indications du fabricant de vos freins (voir aussi « 8.2 Informations complémentaires »).

PÉDALES AUTOMATIQUES :

3. Si vous utilisez des pédales automatiques, familiarisez-vous avec ce système avant de rouler en essayant debout d'enclencher et de déclencher les chaussures. Il est recommandé de n'utiliser ce système en conduite que si vous maîtrisez bien l'enclenchement et le déclenchement des pédales lorsque vous ne roulez pas encore.

La tension d'enclenchement et de déclenchement est réglable. Tenez compte des indications du fabricant de vos pédales.

TRANSMISSION :

4. Changez en toutes les vitesses lorsque vous roulez lentement et enclenchez la bonne vitesse ensuite.

→ Toutes les vitesses peuvent être enclenchées.

→ La butée de la plus petite et de la plus grande vitesse est réglée de manière que la chaîne ne puisse pas dérailler.

// MANUEL D'UTILISATION

6. RÉGLAGES AVANT ET APRÈS UNE SORTIE EN VÉLO

6.1 AVANT LA SORTIE

Pour rouler à vélo en toute sécurité, vous devez réaliser certaines tâches avant l'utilisation. Si votre vélo présente des défauts ou dysfonctionnements, demandez à un mécanicien deux-roues diplômé de réviser votre vélo et d'éliminer les défauts. Ne roulez jamais sur un vélo qui est défectueux ou qui présente de défauts !

	RÉGLAGES/VÉRIFICATIONS	Avant la première sortie	Avant chaque sortie
Roues / Pneus	Soulevez la roue avant et la roue arrière l'une après l'autre et faites-les tourner. → Il faut que les roues tournent impeccablement. → Il faut que les roues tournent tout droit et qu'elles ne soient pas voilées. → Il faut que les pneus n'entrent à aucun endroit en contact avec le cadre.	X	X
	Vérification de la pression de gonflage. → La pression de gonflage doit être d'environ 2 bar. La pression de gonflage maximale de la roue et du pneu utilisé ne doit pas être dépassée (voir aussi « 8.4 Pression de gonflage »).	X	X
	Vérifier le couple de serrage des axes traversants. → Le levier de l'axe traversant de la roue avant doit être serré fermement ! → L'axe traversant de la roue arrière doit être serré avec 12 Nm !	X	X
	Soulevez la roue avant et la roue arrière l'une après l'autre et bougez-les vers le côté. → Il ne faut pas que vous notiez du jeu.		X
	Vérifiez le système de roue libre du moyeu arrière pour vous assurer que la liaison par frottement soit impeccable : Asseyez-vous sur votre vélo, actionnez le frein avant et pédalez debout en faisant un effort moyen. → La force doit être transférée à la roue arrière. → Il ne faut pas que la roue libre glisse.		X
	Vérifiez les pneus dans le but d'identifier des endommagements et endroits usés. → Ils doivent être dans un état impeccable. → L'usure ne doit pas être aussi prononcée que l'insert de protection de la crevaison ou les fils de la carcasse soient visibles à la chape.		X

RÉGLAGES/VÉRIFICATIONS		Avant la première sortie	Avant chaque sortie
Frein	Vérifier l'efficacité des freins : quand vous êtes debout à côté du vélo, actionnez les manettes de frein l'une après l'autre et bougez le vélo vers l'avant et vers l'arrière. → La roue avant ainsi que la roue arrière doivent bloquer lorsque le levier de frein reste actionné.	X	X
	Vérifiez visuellement que les freins ne présentent aucune fuites de liquide ou autres vices. → Il ne faut pas que le liquide de frein fuit au niveau des connecteurs.	X	X
	Vérifiez le point de pression du frein : Quand vous êtes debout à côté du vélo, actionnez les manettes de frein l'une après l'autre. → Après avoir actionné la manette à moitié, il faut ressentir clairement le point de pression.		X
	Vérifiez à quel point sont usées les plaquettes de frein. → La garniture sur la plaquette de frein doit au minimum être de 0,5 mm d'épaisseur.		X
	Vérifiez à quel point sont usés les disques de frein. → Épaisseur minimum des disques de frein : Avid / Sram : 1,55 mm, Magura : 1,8 mm		X
Composants	Vérifiez le serrage de la potence : placez-vous devant le vélo, coincez la roue avant entre les genoux et essayez de tourner le guidon. → Il ne faut pas que le guidon tourne sans forcer anormalement.	X	X
	Vérifiez si vous ressentez du jeu au niveau du jeu de direction : Debout à côté du vélo, actionnez le levier de frein avant et poussez légèrement le vélo vers l'avant et vers l'arrière. → Il ne faut pas que vous notiez du jeu dans les roulements.	X	X
	Vérifiez le montage de tous les composants et éléments attachés au vélo. → Tous les composants et éléments desserrés doivent être resserrés en respectant les couples prescrits (voir « 8.3 Couples de serrage »). En cas de doute, contactez le service client PROPAIN.	X	X
	Vérifiez le serrage correct de la tige de selle : Placez-vous derrière votre vélo et essayez de tourner la selle d'une main. → Il ne faut pas que la selle ou la tige de selle tourne.		X
	Vérifiez le serrage correct des poignées : → Les poignées ne doivent pas tourner dans vos mains.		X

// MANUEL D'UTILISATION

	RÉGLAGES/VÉRIFICATIONS	Avant la première sortie	Avant chaque sortie
Cadre	Vérifiez le cadre en regard d'endommagements et de déformations. → Il doit être dans un état impeccable.	X	X
	Vérifiez si tous les câbles et conduites se trouvent dans les attaches correspondantes et si toutes ces attaches sont bien fixées. → Il faut que la câblerie entière soit bien fixée dans les attaches appropriées.		X
	Vérifiez les couples de serrage des points d'appui du triangle arrière et du support de l'amortisseur. → Les couples de serrage se trouvent dans le manuel de montage du vélo.		X
Fourche suspendue / amortisseur	Vérifiez les éléments des suspensions en cas d'endommagement. → Elles doivent être dans un état impeccable.	X	X
	Asseyez-vous sur le vélo avec votre équipement complet (casque, sac à dos, chaussures, etc.) et adoptez une position de conduite normale. → Nous recommandons un SAG de 15 à 20 % à la fourche de suspension et de 20 à 30 % à l'amortisseur. → Si nécessaire, changez la pression des suspensions. Pour un amortisseur avec ressort en acier, vous avez déjà choisi la dureté de ressort correspondant à votre poids lors de la commande.	X	

6.2 APRÈS LA SORTIE

NETTOYER LE VÉLO



DANGER

RISQUE D'ACCIDENT DÙ AU DYSFONCTIONNEMENT DES FREINS OU FORCE DE FREINAGE RÉDUITE DUS AUX PLAQUETTES OU DISQUES DE FREIN SALES !

Évitez dans tous les cas que les plaquettes et disques de frein entrent en contact avec des substances salissantes telles que des huiles, graisses (aussi graisse cutanée), cires, silicones, téflon, etc. ! N'utilisez jamais les plaquettes respectivement patins et surfaces de frein salis par ces substances !

Après une sortie, vous devriez nettoyer minutieusement votre vélo avec un chiffon de nettoyage doux et de l'eau claire. N'utilisez jamais un nettoyeur à haute pression ! Les saletés tenaces peuvent être éliminées à l'aide de produits de nettoyage spéciaux pour les vélos et leurs composants. Veuillez dans tous les cas tenir compte des notes et recommandations d'emploi du produit de nettoyage en question. Après le nettoyage, il faut huiler à nouveau la chaîne (voir « Entretien la chaîne »).

Portez une attention particulière à la propreté au niveau des pièces mobiles de la fourche de suspension et de l'amortisseur. Si celles-ci ne sont pas propres, les éléments de suspension de votre vélo s'usent prématurément et deviennent moins efficaces.

ENTREtenir LA CHAÎNE

La chaîne de vélo est une partie élémentaire de la transmission de votre vélo. Les saletés grossières sont recueillies dans la chaîne huileuse et accélèrent l'usure.

Effectuez régulièrement les tâches ci-dessous pour accroître la résistance et la longévité de la chaîne :

1. Nettoyez la chaîne avec un chiffon imbibé d'huile.
2. Appliquez l'huile de chaîne sur la chaîne.
3. Essuyez l'huile superflue avec un chiffon sec qui ne peluche pas.

// MANUEL D'UTILISATION

GARER LE VÉLO

Le vélo doit être garé en sécurité de manière qu'il ne puisse pas tomber. Il suffit souvent d'une chute depuis une position debout sur un bord pour causer des dommages irréversibles au cadre ou aux composants du vélo. Voir aussi « 7. Transport et stockage ».

6.3 APRÈS UNE CHUTE



DANGER

RISQUE D'ACCIDENT DÙ AUX COMPOSANTS ENDOMMAGÉS OU CASSÉS !

Une chute ou un utilisation excessive peuvent provoquer des dégâts que vous pouvez ne pas voir ou ne pas remarquer.

- Si vous roulez sur un vélo avec des pièces endommagées, tordues ou même fissurées ou cassées, vous courez de grands risques, qui peuvent parfois entraîner la mort.
- Après une chute, le vélo et les composants sont à réviser par le service après-vente PROPAIN ou un mécanicien deux-roues diplômé.
- Ne réparez jamais vous-même les pièces tordues mais remplacez-les pour votre propre sécurité.

Il est très difficile de constater les dommages sur un composant en carbone. Tous les dommages ne sont pas visibles. Une rayure superficielle peut être une indication d'une délamination (décollage des différentes couches de carbone). Sur les vélos dont le poids a été réduit et optimisé, il suffit souvent d'une chute depuis une position debout sur un bord pour causer des dommages irréversibles au cadre ou aux composants du vélo. Si on craint que le vélo ou les composants soient endommagés, les dégâts doivent être révisés dans tous les cas par le service après-vente PROPAIN ou un mécanicien deux-roues diplômé.

Si les composants endommagés sont en aluminium, ils présentent des bosses, fissures, déformations ou changements de couleur. Au cas où l'un de ces indicateurs surgit, le composant ou le vélo concerné ne peuvent plus être utilisés. Si on craint que le vélo ou les composants soient endommagés, les dégâts doivent être révisés dans tous les cas par le service après-vente PROPAIN ou un mécanicien deux-roues diplômé.

7. TRANSPORT ET STOCKAGE

7.1 TRANSPORT DANS LA VOITURE

Le mieux et le plus sûr est de transporter votre vélo à l'intérieur de la voiture. Le vélo y est parfaitement protégé des intempéries et du vol. Cependant, il y a tout de même quelques indications à respecter :

- Exposées au rayonnement solaire direct, les surfaces situées dans la voiture peuvent devenir très chaudes. Les composants en carbone doivent être recouverts et protégés du rayonnement solaire direct.
- Les composants en carbone sont très délicats et ne résistent pas à la pression. Dans la mesure où les composants sont empilés, par exemple les roues et le cadre, il est indispensable qu'ils soient rembourrés. De nombreux fabricants proposent des sacs spéciaux pour roues. Ces sacs protègent parfaitement les roues lors du transport.
- Si les roues sont démontées, il faut intercaler une sécurisation de transport entre les pattes de fourche et les pattes de cadre, et entre les plaquettes de frein.

7.2 TRANSPORT SUR LE PORTE-VÉLO ARRIÈRE OU LE PORTE-VÉLO DE TOIT

Le porte-vélo arrière et porte-vélo de toit dont les griffes de maintien tiennent le tube horizontal, le tube diagonal ou le tube de selle du vélo, ne conviennent pas pour les cadres de carbone. La force de serrage de la griffe est susceptible d'abîmer la structure du carbone. Les jantes doivent être emballées d'une matière souple avant de les sécuriser avec des sangles d'arrimage à cliquet à enrouleur automatique ou des systèmes de crémaillère. Si plusieurs vélos sont transportés sur le porte-vélo, il faut prévoir assez de place pour avoir un écart suffisant entre les vélos ou bien les matelasser comme il le faut. Si les vélos sont en carbone, il faut en plus veiller à écarter la roue aussi loin que nécessaire du pot d'échappement. La distance minimum s'élève à 45 cm derrière le pot d'échappement et à 20 cm en-dessus. Veuillez tenir compte du manuel d'utilisation du porte-vélo arrière ou le porte-vélo de toit.

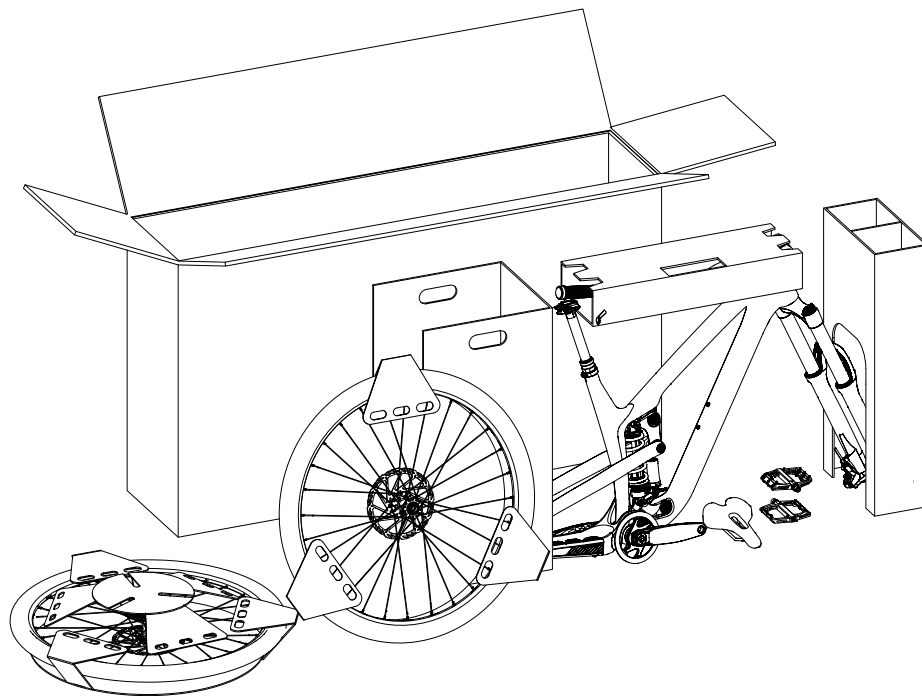
7.3 STOCKAGE DU VÉLO

Le vélo doit être rangé dans un support à vélo approprié, qui dans l'idéal n'accueille que la roue arrière. Si le vélo reste longtemps garé, contrôlez régulièrement la pression de gonflage des pneus. Il ne faut pas que les roues d'un vélo longtemps stocké soient dégonflées. Pour ranger en toute sécurité votre vélo, alternativement, vous pouvez l'accrocher à un crochet matelassé ou revêtu de plastique ou de caoutchouc. Si le vélo est stocké plus de trois mois, il est recommandé de sortir le liquide préventif des pneus tubeless. Certains liquides d'étanchéité contiennent des agents renforçant la corrosion qui peuvent endommager les jantes.

// MANUEL D'UTILISATION

7.4 ENVOI DU VÉLO

En fonction des cotes de la boîte d'origine PROPAIN, l'état à quel point est monté le vélo diffère. Envoyez le vélo à l'état dans lequel vous l'avez réceptionné.



1. Fixez toutes les pièces desserrées ou mobiles ou emballez-les suffisamment. Les composants coupants ou pointus doivent être emballés encore plus pour ne pas pouvoir endommager le contenu ou percer la boîte.
2. Pour l'envoi, démontez la roue avant et emballez-la dans un carton.
3. Vissez les axes traversants dans la fourche.
4. Placez le carton de calage à l'arrière côté dérailleur arrière.
5. Protégez le tube horizontal avec du matériau approprié (p. ex. matériau d'isolation pour tubes) afin que le guidon ne puisse pas l'endommager.

8. RÉVISION ET ENTRETIEN



DANGER

RISQUE D'ACCIDENT DÙ À L'ENTRETIEN ET À LA RÉVISION NON EFFECTUÉS OU NON EFFECTUÉS À TEMPS !

Si vous vous passez de l'entretien et de la révision, les composants usés peuvent occasionner un accident.

- Effectuez les tâches et respectez les intervalles de révision et d'entretien indiqués dans ce manuel d'utilisation.
- Le respect des tâches et des intervalles d'entretien et de révision est une condition préalable au maintien des droits à la garantie.

Seuls une maintenance et un entretien réguliers permettront de garantir le bon fonctionnement de toutes les pièces du vélo. Vous pouvez réaliser vous-mêmes des tâches faciles de contrôle, d'entretien et de nettoyage à intervalles réguliers (voir « 6. Réglages avant et après une sortie EN vélo »). En fonction de l'intervalle de maintenance, les tâches de maintenance et de révision nécessaires doivent être effectuées par PROPAIN ou par une personne ayant les qualifications nécessaires.

Toutes les informations concernant la révision et l'entretien sont disponibles sur le site www.propain-bikes.de.

// MANUEL D'UTILISATION

8.1 ENTRETIEN DES COMPOSANTS

En théorie, vous pouvez réaliser vous-mêmes toutes les tâches d'entretien. En cas de doutes sur vos propres capacités ou s'il vous manque un outil particulier, ces tâches doivent être effectuées par PROPAIN ou un mécanicien deux-roues diplômé.

COMPOSANTS	TÂCHES	INTERVALLE
Vélo complet	Vérifier les couples de serrage de toutes les vis. Valeurs de couples de serrage, voir « 8.3 Couples de serrage ».	la première fois après 100 à 300 km ou 5 à 15 h* ensuite, tous les 1 500 km ou 75 h*
Cadre	Vérifier visuellement l'absence de dommages sur le cadre, comme des fissures ou des déformations, des décolorations et frottements causés par le couvercle du train ou les conduites de frein.	3 mois
Fourche suspendue / amortisseur	Vérifier visuellement l'absence de dommages comme des fissures, des déformations ou des décolorations.	3 mois
	Petit entretien	50 h / 3 mois ou selon les instructions du fabricant
	Grand entretien	200 h / 3 mois ou selon les instructions du fabricant
Jeu de direction	Démonter, nettoyer, graisser et remonter toutes les pièces du jeu de direction. Remplacer les roulements en mauvais état ou corrodés.	6 mois
Tige de selle	Démonter, nettoyer la tige de selle et le tube de selle du cadre et réassembler sans utiliser de lubrifiants. Vérifier le couple de serrage. Couple de serrage collier de selle et serre-selle, voir « 8.3 Couples de serrage ».	3 mois

COMPOSANTS	TÂCHES	INTERVALLE
Guidon / Potence	Vérifier le couple de serrage. Valeurs de couples de serrage, voir « 8.3 Couples de serrage ».	3 mois
Frein	Vérifier l'usure des plaquettes de frein. → La garniture sur la plaquette de frein doit au minimum être de 0,5 mm d'épaisseur.	régulièrement
	Vérifier l'usure des disques de frein. → Épaisseur minimum des disques de frein : Sram/Avid : 1,55 mm, Magura : 1,8 mm	régulièrement
	Purger les freins / changer le liquide de frein	12 mois
Roues	Entretien du moyeu : dans des conditions d'utilisation normales	12 mois
	dans des conditions d'utilisation extrêmes (utilisation régulière dans la poussière, la pluie, la neige ou en cas de transport fréquent sous la pluie)	3 mois
	Tâches d'entretien, voir instructions du fabricant.	
	Remplacer la jante Tubeless.	12 mois
	Vérifier l'absence de dommages sur la jante Tubeless. La jante Tubeless doit être remplacée lorsque <ul style="list-style-type: none"> • le pneu se détache de la jante. • l'empreinte se détache et le matériau de support devient visible. • de fortes courbures sont visibles au niveau des trous de rayons vers l'intérieur et la jante Tubeless fait des plis. 	3 mois
Vérifier la tension des rayons, la concentricité et l'usure de la roue.	10 h*	

// MANUEL D'UTILISATION

COMPOSANTS	TÂCHES	INTERVALLE
Pneus / étanchéité	Démonter les pneus et vérifier l'absence de dommages et de corps étrangers. Vérifier en même temps l'état de la jante Tubeless, voir ci-dessus. Remplacer ou remplir le liquide d'étanchéité, si nécessaire. Retirer le liquide d'étanchéité séché des pneus. Nous recommandons 30 ml de liquide d'étanchéité par pneu.	3 mois
Transmission / entraînement	Vérifier l'usure de la chaîne avec la jauge d'usure. → La chaîne doit être remplacée lorsque l'allongement maximal autorisé est mesuré avec la jauge d'usure de la chaîne. Les plateaux et la cassette doivent également être remplacés lors du remplacement de la deuxième chaîne.	la première fois après 1 000 km, ensuite régulièrement
	Vérifier le réglage du dérailleur arrière et du dérailleur avant.	3 mois
	En cas d'utilisation d'un changement de vitesse électronique ou d'une tige de selle abaissable électronique : Remplacer les piles bouton. Type de pile : CR2032	2 ans ou lorsque la LED s'allume ou clignote en rouge

*h = heures d'utilisation Pour les intervalles, l'évènement en km ou en h qui se produit en premier s'applique.

8.2 INFORMATIONS COMPLÉMENTAIRES

Si vous êtes sûrs d'avoir les connaissances et les compétences nécessaires, vous pouvez trouver toutes les informations nécessaires pour réaliser les tâches mentionnées ci-dessus sur les sites web des fabricants des différents composants. N'oubliez pas que vous êtes responsable de toutes les tâches que vous effectuez vous-mêmes et que les droits à la garantie expirent en cas d'entretien ou de montage incorrects.

- SRAM / Rock Shox : sram.com/service
- Magura : www.magura.com/de/components/techcenter/
- Newmen : www.newmen-components.de
- Fox : www.ridefox.com
- Sixpack : www.sixpack-racing.de
- Bikeyoke : www.bikeyoke.de
- Stans : www.notubes.com
- Crankbrothers : www.crankbrothers.com

// MANUEL D'UTILISATION

8.3 COUPLES DE SERRAGE

Tous les raccords vissés doivent être serrés avec une clé à molette appropriée. Si vous l'utilisez correctement, vous évitez de forcer les vis au risque de les casser. Les couples ci-dessous sont valables pour des filetages non graissés. Si on graisse les vis, le coefficient de friction change considérablement et le couple doit être réduit.

Le tableau ci-dessous contient tous les couples de serrage nécessaires pour votre vélo :

COMPOSANTS	FABRICANT, MODÈLE	COUPLE DE SERRAGE
Collier de serrage	tous	voir le couple laser*
Pince pour tige de selle	tous	voir le couple laser*
Montage des étriers de frein roue avant et roue arrière	tous	6 Nm
Moyeu avant	tous	voir Informations sur le fabricant
Moyeu arrière	PROPAIN	12 Nm
Bague de verrouillage de la cassette	tous	40 Nm
Vis de fixation dérailleur arrière	tous	10 Nm
Vis de fixation disque de frein	tous	6,2 Nm
Bague de verrouillage Centre de verrouillage disque de frein	tous	40 Nm
Vis de fixation vilebrequin	tous	voir le couple laser
Pédale	tous	35 Nm
Éléments de commande sur le guidon	tous	voir le couple laser* respectez les instructions du fabricant du guidon !
Potence serrage	tous	voir le couple laser*
Potence pivot de fourche	tous	voir le couple laser*
Points d'appui triangle arrière	PROPAIN	voir instructions de montage

*Ce couple est une valeur qui ne doit pas être dépassée. En règle générale, un couple plus faible est suffisant pour avoir un raccordement sûr. En particulier lors de l'utilisation de pâte de montage, le couple peut souvent être réduit en dessous de cette valeur, car les particules solides dans la pâte de montage augmentent considérablement le frottement. Conseil : Plus le couple de serrage des vis est faible, moins le composant est stressé, ce qui est particulièrement important pour les composants en carbone.

8.4 PRESSION DE GONFLAGE

La section du pneu et la distance interne de la jante déterminent la pression de gonflage maximale. Avant d'ajuster la pression de gonflage, veuillez tenir compte du tableau ci-dessous. Il ne faut en aucun cas dépasser la pression de gonflage maximale ! Si vous voulez gonfler des pneus montés d'origine, vous pouvez déterminer la pression de gonflage maximale à l'aide de la section du pneu. La section du pneu est indiquée sur l'épaulement du pneu. Avec les vélos tous terrains, vous pouvez réduire la pression de gonflage afin de favoriser l'adhérence des pneus. La pression de gonflage minimale est également indiquée sur l'épaulement du pneu et doit dans tous les cas être respectée. La pression de gonflage pour une utilisation en trail, enduro, freeride et downhill doit être de 1,5 à 1,9 bar à l'avant et de 1,7 à 2,1 bar à l'arrière.

// MANUEL D'UTILISATION

Distance entre les crochets (interne) de la jante					Sections de pneu recommandées		Pression de gonflage maximale	
					[mm]	[pouces]	[bar]	[psi]
					18	0,7	9,8	142
					20	0,8	9,3	135
					23	0,9	8,8	128
					25	1	8,3	120
					28	1,1	7,6	110
					30	1,2	7,0	102
					32	1,25	6,6	96
					35	1,35	5,8	84
					37	1,4	5,5	80
					40	1,5	5,3	77
					42	1,6	5,0	73
					44	1,7	4,8	70
					47	1,8	4,5	65
					50	1,9	4,2	61
					52	2	3,9	57
					54	2,1	3,6	52
					57	2,2	3,3	48
					60	2,3	3,0	44
					62	2,5	2,7	39
					66	2,6	2,5	36
					69	2,7	2,3	33
					71	2,8	2,1	30

// NOTES



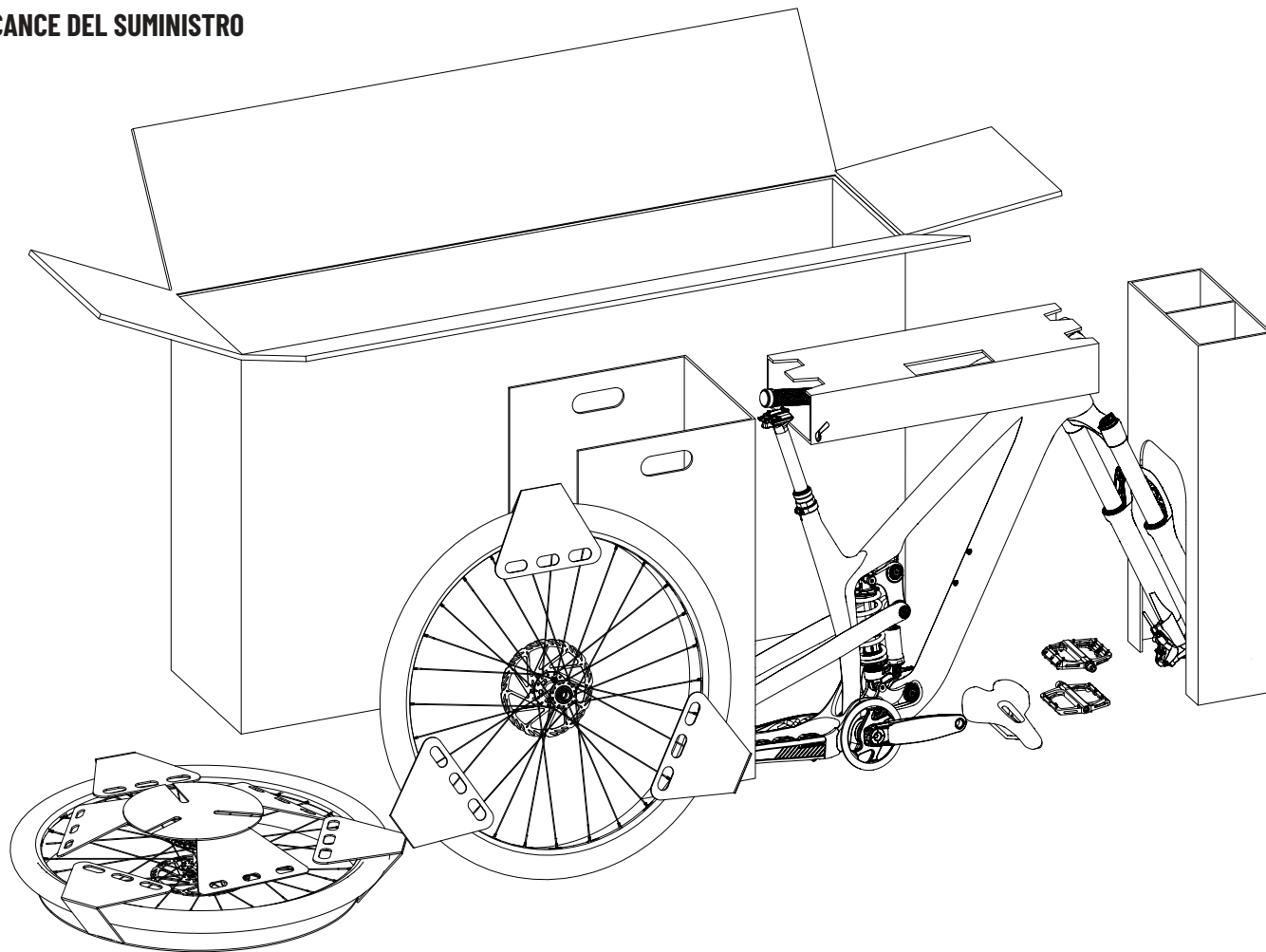
PROPAIN

ES



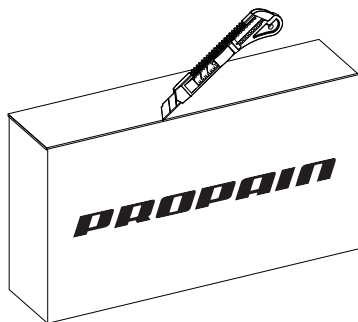
CUSTOM HANDCRAFTED
MOUNTAIN BIKES

// ALCANCE DEL SUMINISTRO



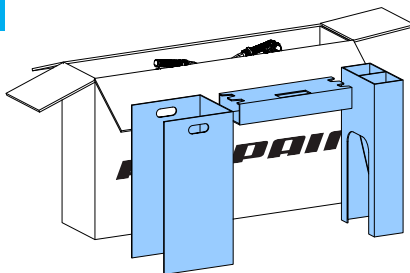
// DESEMBALAJE

1



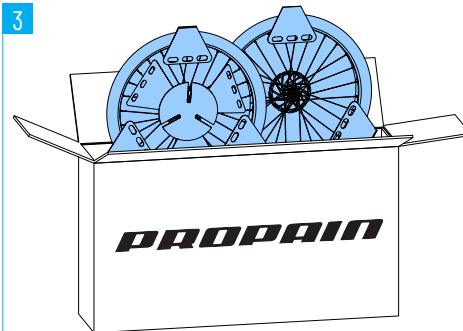
Abre con cuidado la caja de embalaje por la parte de arriba.
→ Procura que las piezas de su interior no sufran daños.

2



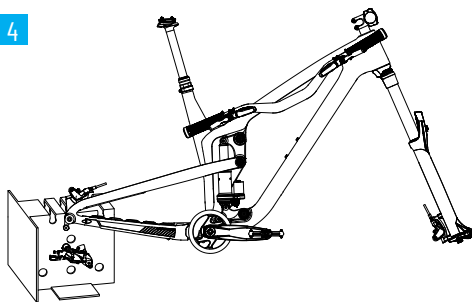
Saca la fijación del manillar, el triángulo trasero y la horquilla.
→ Al sacarlos, ten cuidado al manillar de su fijación. De este modo evitarás que el manillar dañe la pintura.

3



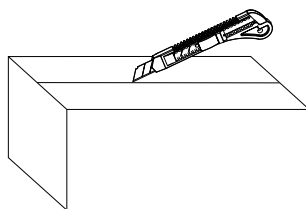
Saca ambas ruedas con cuidado.
→ Presta especial cuidado en este paso para evitar posibles daños.

4



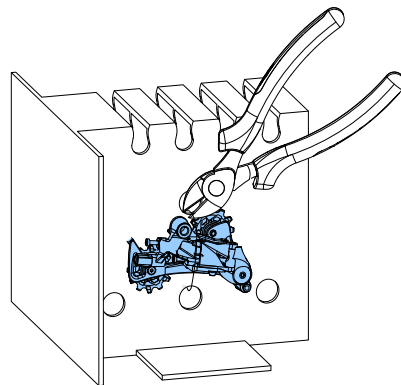
Ahora, con cuidado, saca la bicicleta.
→ Vigila con el manillar, la horquilla y el desviador trasero. Para su montaje, fije la bicicleta a un soporte de montaje o colócala en el suelo, con la fijación del triángulo trasero.

5



Saca caja de piezas pequeñas y ábrela.

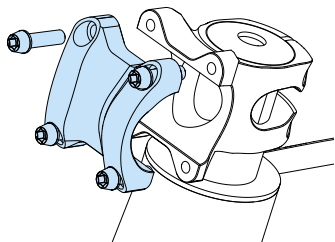
6



Suelte el desviador trasero de la fijación del triángulo trasero.

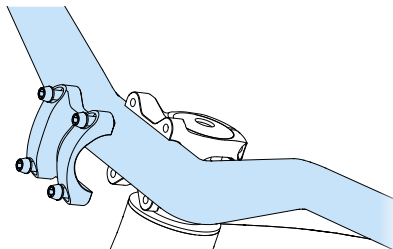
// MONTAJE DEL MANILLAR

1



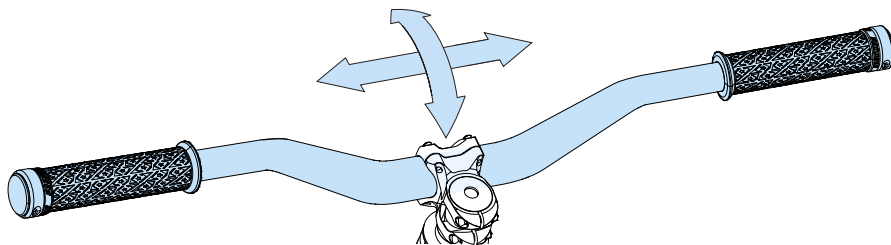
1. Destornilla los tornillos de la abrazadera de la potencia.
2. Retira la abrazadera del manillar y los tornillos.

2



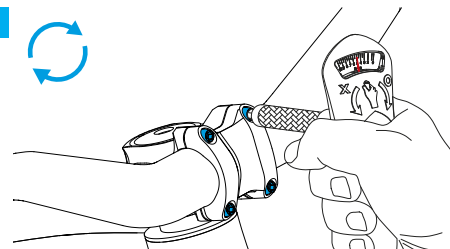
1. Coloca el manillar en la potencia.
2. Coloca la abrazadera del manillar y da unas cuantas vueltas a mano a los tornillo.

3



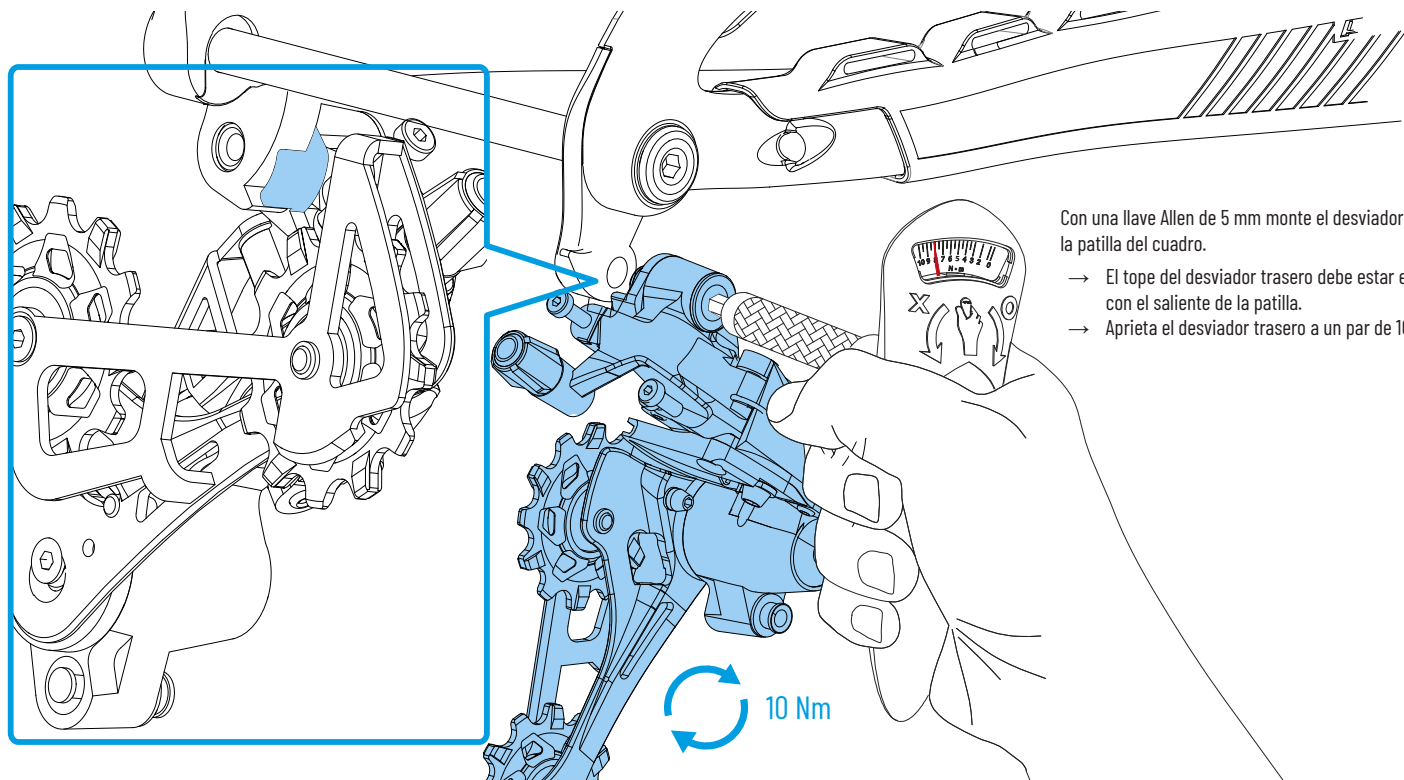
1. Endereza el manillar en el centro y ajusta su inclinación según tus preferencias.
2. Ajusta la maneta del freno y del cambio a la inclinación del manillar.

4



1. Coloca los dos tornillos superiores y apriételos con el par de apriete grabado en láser en la abrazadera o la potencia.
2. Coloca los dos tornillos inferiores y apriételos con el par de apriete grabado en láser en la abrazadera.

// MONTAJE DEL DESVIADOR TRASERO

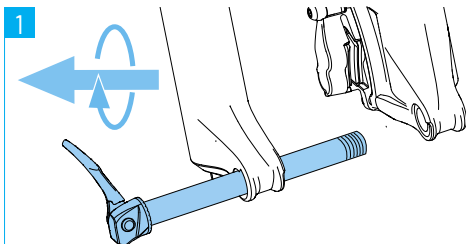


Con una llave Allen de 5 mm monte el desviador trasero en la patilla del cuadro.

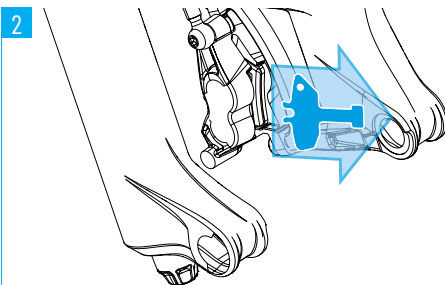
- El tope del desviador trasero debe estar en contacto con el saliente de la patilla.
- Aprieta el desviador trasero a un par de 10 Nm.

// MONTAJE DE LA RUEDA DELANTERA

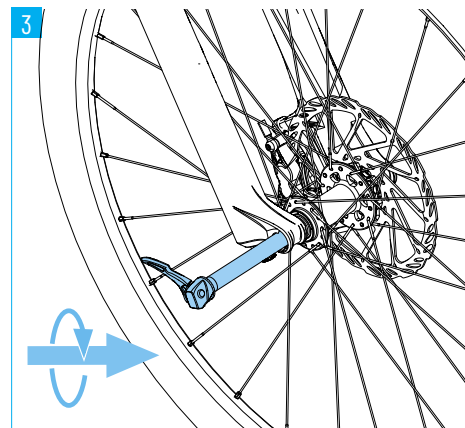
Dependiendo del fabricante de la horquilla, el eje se debe empujar de derecha a izquierda por el extremo de la horquilla.



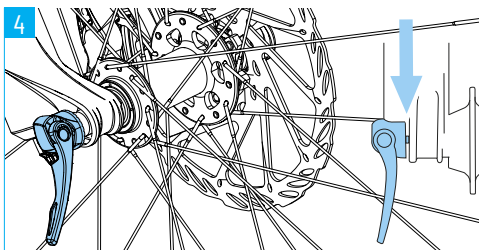
Retira el eje de la horquilla.



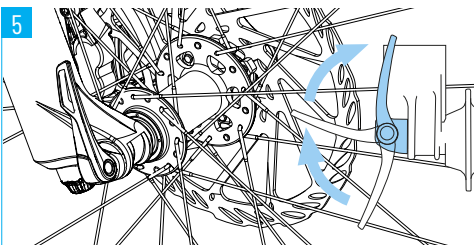
1. Retira el seguro de transporte que hay entre las pastillas de freno.
2. Guarda el seguro de transporte para cuando quieras transportar tu bicicleta más adelante.



1. Introduce la rueda delantera en los extremos de la horquilla. El disco de freno debe insertarse entre las pastillas de freno.
2. Abre la palanca del eje e introduce este por el lado de la transmisión (en la dirección de la marcha, a la derecha) a través de los extremos de la horquilla y el buje de la rueda.

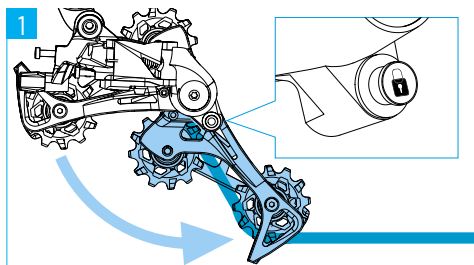



Gira el eje en la rosca del extremo hasta que entre el eje y el extremo tan solo quede un pequeño hueco.



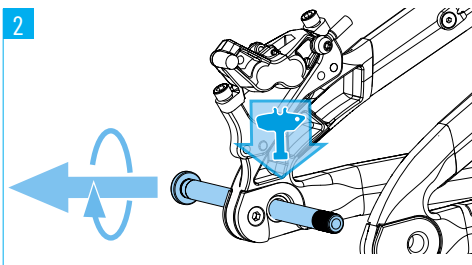
1. Cierra la palanca del eje.
2. No debe quedar ningún hueco entre el eje pasante y el extremo.
 - Para cerrar la palanca se debe emplear una fuerza con la mano que va en aumento hasta que la palanca está completamente cerrada. Para aumentar el esfuerzo de la palanca, ábrela y gírala en el sentido de las agujas del reloj. Cierra la palanca para volver a comprobar su esfuerzo. Repite el procedimiento hasta que el esfuerzo sea suficiente y luego cierra la palanca.

// MONTAJE DE LA RUEDA TRASERA

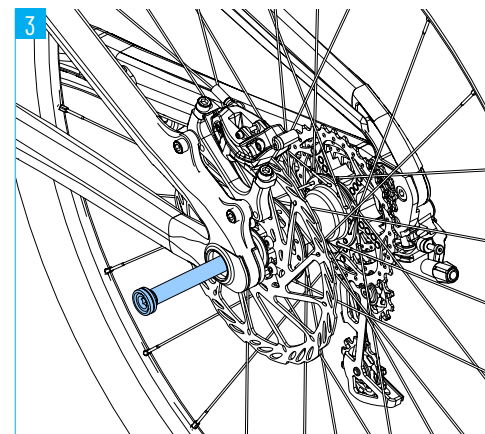


Activa la función Cage Lock. Para ello, tira de la caja del desviador trasero hacia adelante y pulsa el botón Cage Lock con el símbolo .

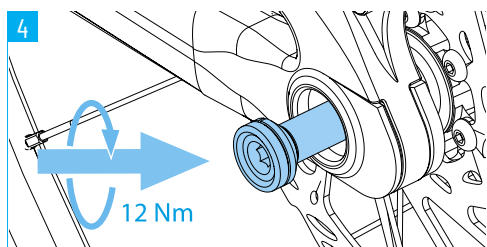
→ Cuando se activa la Cage Lock, la caja del desviador trasero permanece en una posición inclinada hacia adelante. Esto facilita el montaje de la rueda trasera.



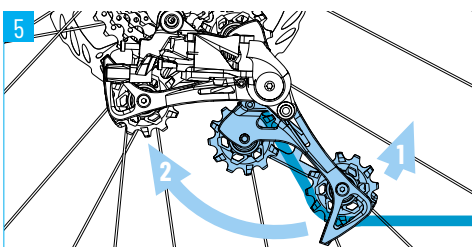
1. Retira el eje del cuadro.
2. Retira el seguro de transporte que hay entre las pastillas de freno.
3. Guarda el seguro de transporte para cuando quieras transportar tu bicicleta más adelante.



1. Introduce la rueda trasera en el extremo del cuadro.
→ Introduce la rueda delantera en los extremos de la horquilla. El disco de freno debe insertarse entre las pastillas de freno.
→ Coloca la cadena en el piñón más pequeño del cassette.
2. Coloca el eje por el lado del freno (en la dirección de conducción, a la izquierda) a través de los extremos del cuadro y el buje de la rueda.

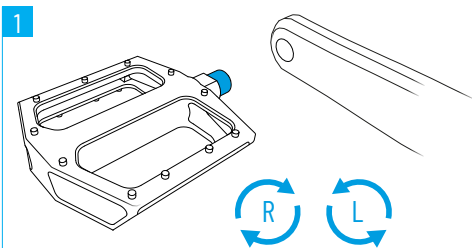


Gira el eje en el extremo con una llave Allen de 6 mm y apriétalo con un par de 12 Nm.



Desactiva la función Cage Lock. Para ello, tire de la caja del desviador trasero ligeramente hacia adelante y deje que el desviador trasero vuelva con cuidado a su posición original.

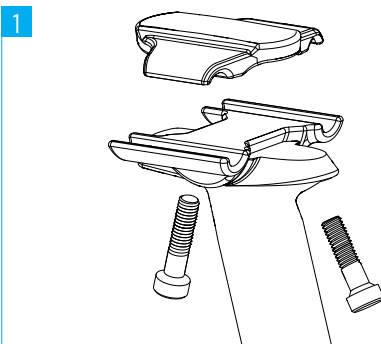
// MONTAJE DE LOS PEDALES



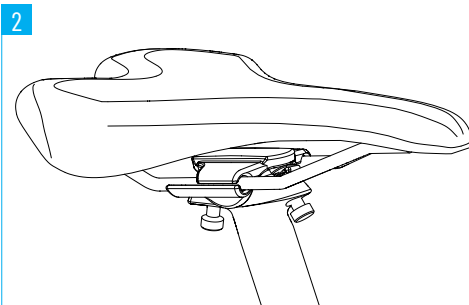
Uno de los pedales tiene la rosca a la derecha y el otro a la izquierda. La mayoría de pedales están marcados con «L» y «R» por el lado de montaje. En algunos, el pedal izquierdo está marcado con una ranura en el eje.

1. Engrasa ligeramente la rosca del pedal.
2. Coloca arandelas en las roscas del pedal si las hubiere.
3. Enrosca el pedal izquierdo en la biela izquierda, en sentido contrario a las agujas del reloj, y apriételo con un par de 35 Nm.
4. Enrosca el pedal derecho en la biela derecha, en sentido de las agujas del reloj, y apriételo con un par de 35 Nm.

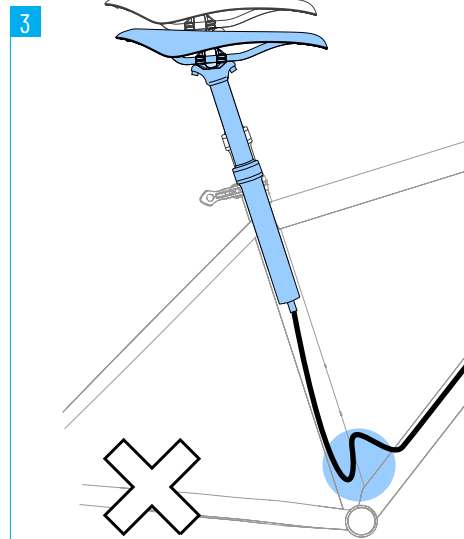
// MONTAJE DEL SILLÍN



Desenrosca los tornillos de la abrazadera del sillín y retira la abrazadera superior.



1. Coloca la abrazadera superior en el soporte del sillín.
2. Endereza el sillín según tus preferencias y enrosca los tornillos de tope.



Ajusta la altura del sillín:

Atención: Al ajustar la altura del sillín, se debe desplazar adelante el cable de la tija, para evitar que se doble y sufra daños.

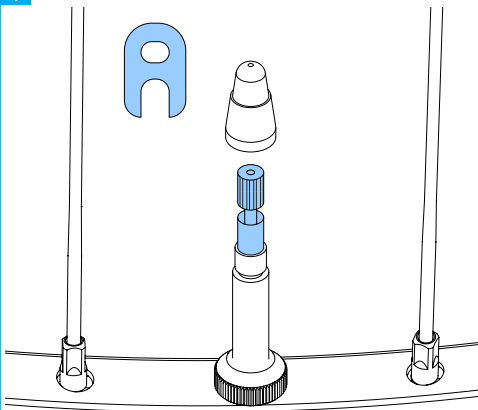
1. Abre la abrazadera del sillín.
2. Con cuidado y despacio introduce o saca la tija del cuadro. Al mismo tiempo, empuja o tira del cable por la abertura del cuadro.
3. Cierra la abrazadera del sillín.

// INFLAR LOS NEUMÁTICOS

Si has comprado una bicicleta sin Tubeless Setup, infla los neumáticos a una presión de unos 2 bares.

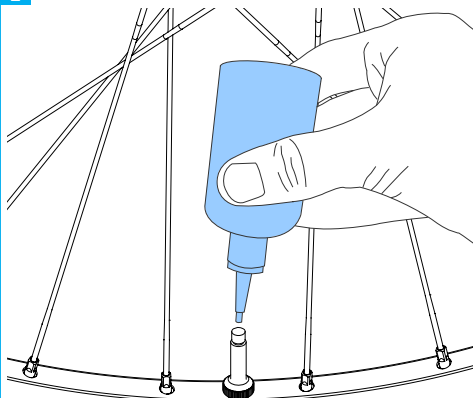
Si has comprado una bicicleta con Tubeless Setup, rellena ambos neumáticos con el líquido sellante que se adjunta antes de tu primera salida.

1



1. Deja salir el aire del neumático por completo.
2. Desenrosca la tapa de la válvula.
3. Desenrosca el obús de la válvula con la llave suministrada.

2



1. Agita el líquido sellante suministrado durante un minuto aproximadamente.
2. Llena el neumático con líquido sellante a través de la válvula. Se deben utilizar unos 60 ml de líquido sellante por neumático.
3. Gira el obús con la llave de válvula y apriétalo a mano.

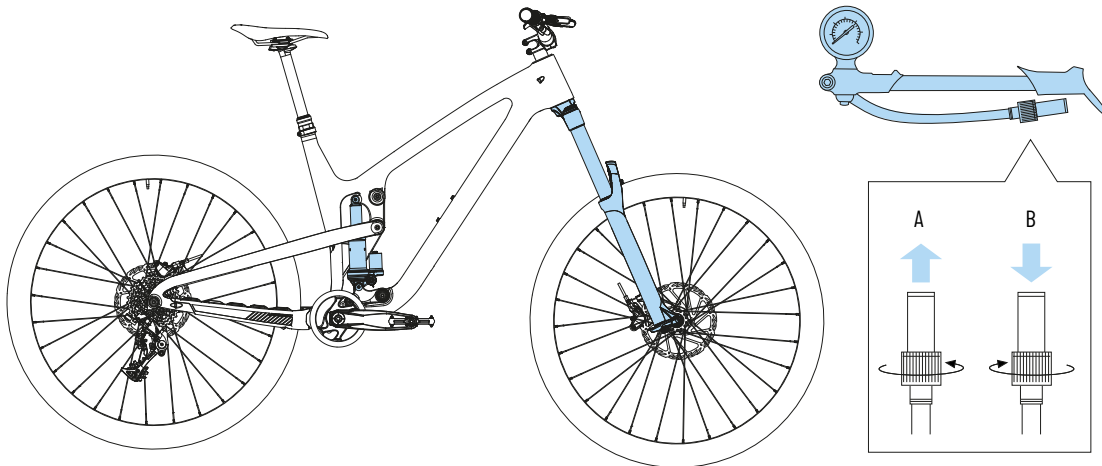
3

1. Infla los neumáticos a unos 2 bares.
2. Revisa que los neumáticos estén bien colocados.
 - El neumático debe descansar uniformemente en toda la circunferencia de la llanta. Si no, suelta presión de aire, coloca el neumático en el fondo de la llanta y repite el procedimiento.
 - En caso de duda consulte a un experto para que revise si los neumáticos están bien colocados.
3. Gira y agita la rueda lentamente para repartir el líquido sellante por toda la superficie interior del neumático.
4. Cuando el neumático se haya sellado, reduce la presión del neumático a la presión deseada.
5. Enrosca la tapa de la válvula.
6. Haz un breve trayecto de prueba y comprueba la presión de los neumáticos con regularidad.

// AJUSTAR LA SUSPENSIÓN

La bicicleta se entrega con un ajuste básico en la suspensión. Antes de realizar la primera salida, la presión del aire de la suspensión se debe ajustar a tu peso.

1



1. Desenrosca la tapa de la válvula del amortiguador/horquilla.
2. Enrosca la bomba del amortiguador e infla el amortiguador/horquilla a la presión deseada.
 - Observa las instrucciones de funcionamiento de la bomba del amortiguador.
 - Recomendamos un SAG de 15% - 20% en la horquilla y 20% - 30% en el amortiguador.
En cuanto a la presión del aire es imprescindible observar las especificaciones del fabricante de la suspensión. Se adjunta el manual correspondiente.
3. Desenrosca la bomba del amortiguador y enrosca la tapa de la válvula.

// ANTES DE LA PRIMERA SALIDA

1 NORMAS DE USO



Kategorie (siehe Anleitung) 5
Category (see manual)

Zulässige Gesamtmasse
Permissible total mass
max. **120Kg**

Anleitung vor ersten
Gebrauch lesen!
Read manual
before use!

Observa las normas básicas para la TYEE:

USO PREVISTO

El ámbito de uso de las bicicletas se divide en cinco categorías que van desde la conducción por carreteras asfaltadas hasta los descensos (*downhill*) o el *freeride*. La TYEE solo puede utilizarse de acuerdo con las disposiciones de la categoría 5 o inferior. Puedes encontrar los detalles en las instrucciones de funcionamiento de tu bicicleta.

PESO TOTAL PERMITIDO

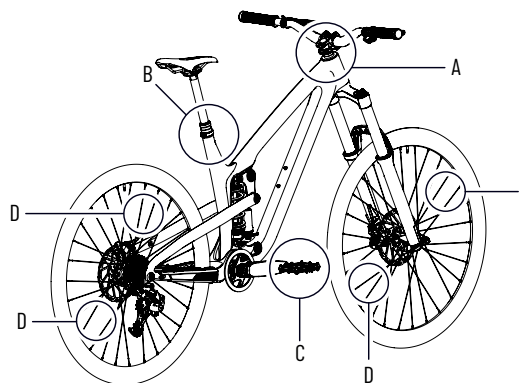
El peso máximo permitido (ciclista + bicicleta + equipo + equipaje) es de 120 kg y no puede sobrepasarse.

INSTRUCCIONES DE FUNCIONAMIENTO

Además de este manual, consulta también el manual de funcionamiento de tu bicicleta. Se debe leer y entender toda la información que contiene antes de utilizarla.

2 NORMAS SEGÚN LA LEY DE HOMOLOGACIÓN DEL TRANSPORTE POR CARRETERA (STVZO)

Si quieres usar la TYEE en carreteras públicas, se debe montar una luz delantera y una trasera, un reflector blanco hacia adelante, un reflector rojo hacia atrás, y reflectores de radios. Si con posterioridad montas otros pedales, asegúrate de que tienen reflectores amarillos tanto hacia adelante como hacia atrás. Puede que fuera de Alemania se apliquen requisitos legales distintos.



Pos.	Nombre	Advertencias especiales
A	Luz delantera y reflector blanco	Al anochecer, de noche o cuando las condiciones de visibilidad así lo requieran se deben usar las luces delantera y trasera y los reflectores. Tanto las luces como los reflectores deben estar bien fijados a la suspensión y asegurados con el llamado SAC (recomiendo en condiciones normales SAC es la medida de seguridad que se debe utilizar siempre y en todo momento). La luz delantera debe estar ajustada a la altura del piloto. Bate a ambos lados del SAC, siéntate en la bicicleta y asegúrate de que el reflector blanco está bien fijado a la suspensión.
B	Luz trasera y reflector rojo	Al anochecer, de noche o cuando las condiciones de visibilidad así lo requieran se deben usar las luces delantera y trasera y los reflectores. Tanto las luces como los reflectores deben estar bien fijados a la suspensión y asegurados con el llamado SAC (recomiendo en condiciones normales SAC es la medida de seguridad que se debe utilizar siempre y en todo momento). La luz trasera debe estar ajustada a la altura del piloto. Bate a ambos lados del SAC, siéntate en la bicicleta y asegúrate de que el reflector rojo está bien fijado a la suspensión.
C	Reflectores del pedal	Ambos pedales deben tener reflectores amarillos visibles por delante y por detrás.
D	Reflectores de radios	En la rueda delantera y trasera se deben colocar dos reflectores de radios.

// ANTES DE LA PRIMERA SALIDA

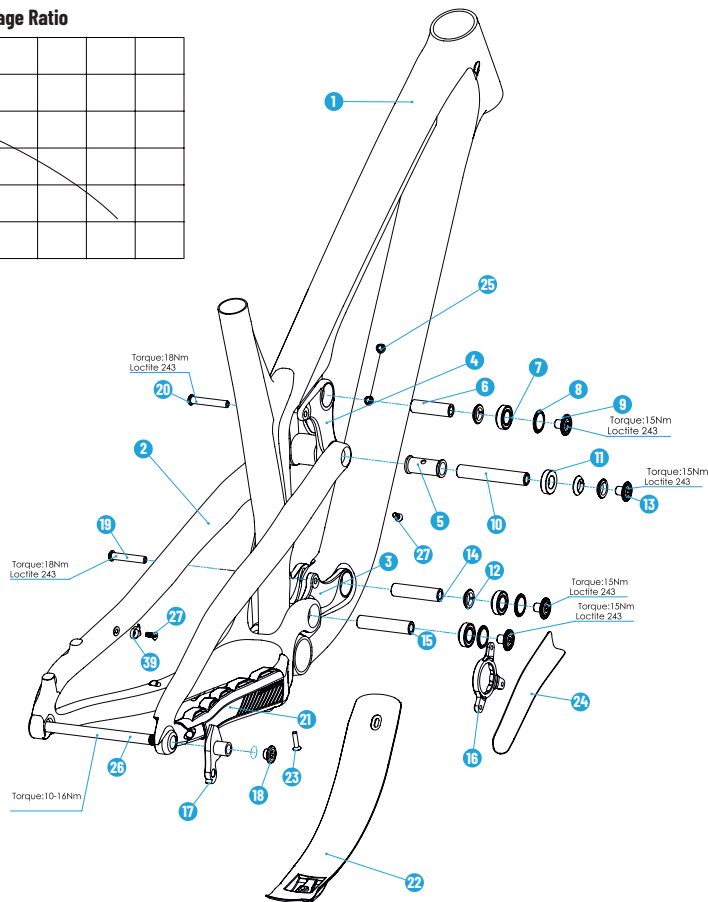
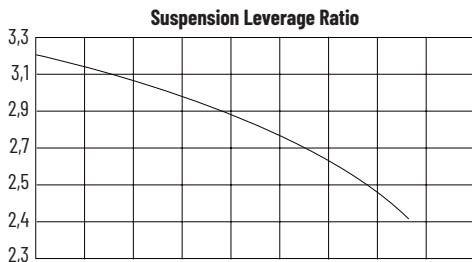
Antes de tu primera salida, comprueba todas las funciones básicas de tu bicicleta para descartar errores de montaje o daños de transporte. En caso de haber algún defecto o fallo en la bicicleta, un técnico en mecánica de bicicletas debe revisarla y reparar las deficiencias. Jamás conduzcas una bicicleta defectuosa o estropeada.

RUEDAS / CUBIERTAS	<p>Una después de otra levanta las ruedas delantera y trasera y haz que giren.</p> <ul style="list-style-type: none">→ Las ruedas deben girar con suavidad.→ Las ruedas deben girar rectas, sin saltos laterales o verticales.→ Las cubiertas no deben tocar el cuadro en ningún momento.
	<p>Comprobar la presión de los neumáticos.</p> <ul style="list-style-type: none">→ La presión de los neumáticos debería ser de unos 2 bares. No se debe superar la presión máxima de la rueda y del neumático utilizado.
	<p>Compruebe el par de apriete de los ejes.</p> <ul style="list-style-type: none">→ La palanca del eje de la rueda delantera debe quedar bien cerrada.→ El eje de la rueda trasera se debe apretar solo a 12 Nm.
ACCESORIOS	<p>Comprueba que la potencia esté bien colocada: Ponte delante de la bicicleta, sujeta la rueda delantera entre tus rodillas e intenta girar el manillar.</p> <ul style="list-style-type: none">→ El manillar no se puede torcer ejerciendo una fuerza normal.
	<p>Comprueba el juego del rodamiento de la dirección: Colócate al lado de su bicicleta, acciona la maneta del freno delantero y mueve la bicicleta lentamente de un lado a otro.</p> <ul style="list-style-type: none">→ Coloca la cadena en el piñón más pequeño del cassette.
	<p>Comprueba que todos los accesorios estén bien colocados</p> <ul style="list-style-type: none">→ Los accesorios sueltos se deben apretar con el par de apriete requerido. En caso de duda, ponte en contacto con el servicio técnico de Propain.
CUADRO	<p>Revisa el cuadro para ver si hay daños y deformaciones.</p> <ul style="list-style-type: none">→ No debe presentar ningún daño.
HORQUILLA / AMORTIGUADOR	<p>Siéntate en la bicicleta con el equipo completo (casco, mochila, zapatos, etc.) y colócate en una posición normal de conducción.</p> <ul style="list-style-type: none">→ Recomendamos un SAG de 15% - 20% en la horquilla y 20% - 30% en el amortiguador.→ Si es necesario, cambia la presión de aire de la suspensión. Si el amortiguador tiene muelle de acero, al hacer el pedido ya has elegido una dureza adecuada a tu peso. Puedes encontrar los detalles en las instrucciones de funcionamiento de tu bicicleta.
FRENOS	<p>Comprueba la fuerza de frenado: Estando parado, acciona las dos manetas de freno una tras otra y mueve la bicicleta hacia adelante y hacia atrás.</p> <ul style="list-style-type: none">→ Cuando se accionan los frenos, las ruedas delanteras y traseras se deben bloquear.
	<p>Revise los cables y uniones de los frenos para ver si hay daños o fugas de líquido de frenos.</p> <ul style="list-style-type: none">→ No se deben apreciar derrames de líquido de frenos en las uniones de los cables.
	<p>Realiza el rodaje de las pastillas de freno. Escoge una carretera sin tráfico y frene de 20 a 30 veces con un freno pasando de 30 a 5 km/h. Las frenadas debe ser lo más fuertes posibles sin que ninguna de las ruedas se bloquee. A continuación, repite el proceso con el otro freno. Sólo entonces el sistema de freno puede desarrollar toda su potencia de frenado.</p>

// NOTAS



// ESPECIFICACIONES TÉCNICAS



TYEE - Standards

Shock length	210mm
Shock travel	55mm
Shock mount top	8mm x 35mm
Shock mount bottom	8mm x 30mm
Rear wheel travel	160mm
Bottom bracket	BSA 73mm
Brake mount	Post mount 180
Seat post diameter	31,6mm
Head set (S.H.I.S.)	Top: ZS49 / Bottom: ZS56
Rear wheel axle	Sixpack axle (148mm)
Rear hub width	148mm (Boost)
Front derailleur mount	None
Chain line	52 mm (boost)
Chain guide mount	ISCG 05
Tire size	29"(for 29"frame) & 27.5"(for 27.5" frame)
Maxium fork travel	170mm

NO	Propain partnumber-version	Description	QTY.
1	001045-AC	Front_triangle_Large	1
2	001112-AA	Rear_triangle_TyeeCF29 (or 27.5")	1
3	001044-AB	Lever_low	1
4	001163-AA	Upper_lever	1
5	001075-AA	Alu_Bushing	1
6	000988-AA	Axle_15dia_51mm_M10x1	1
7	000176-AA	Bearing_15x28x7_flange	6
8	000602-AB	Dust_cap_seal	6
9	000600-AB	15mm_Axle_Cap	6
10	001065-AA	Axle_15x91xM10_clamp_type	1
11	000006-AA	Bearing_15x28x7	2
12	000604-AA	Clamp_ring_15mm_axle	8
13	000605-AB	15mm_clamp_Axle_Cap	2
14	000616-AA	Axle_15dia_62mm_M10x1	1
15	001065-AA	Axle_15dia_71-5mm_M10x1	1
16	001076-AC	ISC6_05_removable_boost148	1
17	001117-AA	Hanger	1
18	001118-AA	Hanger_screw	1
19	000991-AA	Bolt_M8x44_custom	1
20	000992-AA	Bolt_M8x48_custom	1
21	001168-AA	Chain_stay_protector_TyeeCF	1

NO	Propain partnumber-version	Description	QTY.
22	001184-AA	DT_protector_Tyee_CF_2020	1
23	001225-AA	Bolt_M5x22_countersunk_DIN7991	1
24	001189-AB	SS_protector_Tyee_CF	1
25	000733-AA	Bolt_M5x13	2
26	000926-AC	Propain_Sixpack_X12_148mm_axle	1
27	000056-AA	Bolt_M5x12_countersunk	2

// MANUAL DE INSTRUCCIONES

CONSTRUIMOS LA MEJOR BICI PARA TI/WE BUILD THE BEST BIKE FOR YOU

Felicidades por tu bicicleta nueva y gracias por confiar en nosotros.

Y ahora, directos a la bici. Bueno, casi. Aunque su montaje no exige mucho, tómate el tiempo necesario para ajustar la bicicleta correctamente y lee toda la información de seguridad de este manual de instrucciones. Con el ajuste correcto conducirás con seguridad y, además, disfrutarás mucho más. Nuestros manuales te enseñan paso a paso a montar tu bicicleta correctamente y te facilitan toda la información que necesitas. Así, en poco tiempo estarás ya familiarizado con tu bici.

Ha llegado el momento de sacar tu bici de la caja. Es mejor disponer de un poco de espacio para el montaje. Nuestras bicicletas vienen pre-montadas para que no sea necesario tener un taller especializado en casa o ser mecánico profesional. ¿No sabes cómo seguir? Contacta fácilmente con nuestro Servicio de Atención al Cliente en la dirección info@propain-bikes.com o llamando al +49 (0)751 201 802 22. Juntos encontraremos una solución. Y una petición más: queremos que te diviertas con tu bici y que, además, lo hagas con seguridad. Si tienes dudas sobre el montaje, contacta con un profesional, ya que no podemos asumir ninguna responsabilidad por caídas y lesiones debidas a un montaje o un uso incorrectos. ¿Listo? Entonces solo nos queda desearte que disfrutes al máximo de tu nueva bicicleta.

P.D.: Nos encantará ver tus mejores fotos en [#propainbicycles](#)

PS: We are happy about your best pictures at [#propainbicycles](#)

1. ADVERTENCIAS ESPECIALES PARA PADRES, TUTORES Y PERSONAS RESPONSABLES

Este manual de instrucciones es válido tanto para las bicicletas de adultos, como para las de adolescentes y niños. Puede que su hijo o hija ya utilice una bicicleta del tamaño de adulto. Cualquier persona responsable del cuidado o la supervisión del niño deben conocer, comprender y respetar los siguientes puntos.



PELIGRO

RIESGO DE ACCIDENTES POR IMPRUDENCIA Y FALTA DE SENTIDO DE LA RESPONSABILIDAD DEL NIÑO.

A menudo los niños no pueden evaluar correctamente los riesgos y les falta la experiencia y el sentido de la responsabilidad necesarios para usar una bicicleta de forma segura.

- Los padres, tutores o supervisores son responsables del uso seguro y el perfecto estado de la bicicleta del niño.
- Los puntos especificados en esta página se deben respetar en cada salida.
- En caso de duda, consulta con un técnico en mecánica de bicicletas o con el servicio técnico de PROPAIN.

Como padre/madre, tutor o supervisor eres responsable la seguridad del niño y de las actividades que realiza.

Por consiguiente, son responsabilidad tuya los siguientes puntos:

- Debes leer este manual de instrucciones y explicar las advertencias, las funciones y el uso de la bicicleta a su hijo antes de dejarle montar en ella.
- Debes ajustar la bicicleta correctamente al niño, o hacer que se la ajusten.
- Debes asegurarte de que la bicicleta esté siempre en perfectas condiciones.
- Tanto tú como el niño deben haber aprendido y entendido el funcionamiento de la bicicleta de forma segura. Las primeras salidas se deben centrar en enseñar al niño a frenar y usar la bicicleta con seguridad.
- Tanto tú como el niño deben haber aprendido, entendido y respetado, no sólo las normativa local sobre de vehículos de motor, bicicletas y tráfico, sino también las normas de sentido común para un ciclismo seguro y responsable.
- Debes asegurarse de que tu hijo lleve siempre un casco de ciclista homologado cuando vaya en bicicleta, pero también de que entienda que un casco de ciclista solo es apto para el ciclismo y debe quitárselo cuando no vaya en bicicleta. Jamás se debe usar el casco mientras se juega, en el parque infantil, en los columpios o juegos infantiles, trepando a los árboles, o cuando no se va en bicicleta. El incumplimiento de esta advertencia puede causar lesiones graves o incluso la muerte.
- La supervisión de los padres es necesaria cuando se usa una bicicleta infantil.
- El adulto supervisor debe observar en todo momento si el niño evalúa correctamente las situaciones y si la bicicleta está bajo control en función de las exigencias del entorno.

// MANUAL DE INSTRUCCIONES

- Debes asegurarte de que la bicicleta es del tamaño adecuado para el niño. Ambos pies deben tocar el suelo cuando el niño está sentado en el sillín.
- You must make sure that the bike is the right size for the child. Both feet must touch the ground when the child is sitting on the saddle.

2. INFORMACIÓN GENERAL

Este manual de instrucciones es la pieza fundamental para hacer un buen uso y mantenimiento de tu bicicleta, de forma segura y evitando posibles daños. Está concebido para mostrarte los aspectos básicos más importantes de tu bicicleta y ofrecerte consejos útiles durante toda la vida de tu bicicleta. Si tienes dudas sobre los trabajos que deben realizarse en tu bicicleta, es necesario que consultes a un técnico en mecánica de bicicletas o ponerte en contacto con el servicio técnico de PROPAIN. Este manual de instrucciones se debe leer y entender antes de utilizar la bicicleta por primera vez. Asegúrate de que los posibles terceros que utilicen la bicicleta también estén informados sobre el contenido de este manual, que lo entiendan y respeten sus indicaciones. Guarda manual para poderlo consultar en el futuro. En caso de vender o regalar la bicicleta, entrega también este manual de instrucciones. Este manual de instrucciones también está disponible en www.propain-bikes.com.

2.1 EXPLANATION OF SYMBOLS USED



PELIGRO

...señaliza un peligro de riesgo alto, que puede causar lesiones graves o la muerte si no se evita.



PRECAUCIÓN

...señaliza un peligro de riesgo bajo, que puede causar lesiones leves o moderadas si no se evita.



ADVERTENCIA

...indica un peligro que puede causar daños materiales.

2.2 DESTINATARIOS

El destinatario de este manual eres tú, el propietario de la bicicleta PROPAIN. En el caso de las bicicletas infantiles, los destinatarios de este manual de instrucciones son los padres, los tutores o las persona responsables (ver también «1. Advertencias especiales para padres, tutores y personas responsables»). Para el montaje y mantenimiento de la bicicleta es imprescindible contar de antemano con conocimientos básicos sobre mecánica de bicicletas. En caso de duda, será necesario consultar a un técnico en mecatrónica de bicicletas. Un montaje o mantenimiento incorrectos de su bicicleta puede ser causa de accidentes graves con peligro de muerte.

2.3 REQUISITOS PARA EL CONDUCTOR

El conductor debe ser capaz, mental y físicamente, de conducir la bicicleta con seguridad durante un período y una distancia prolongados. Se recomiendan cursos especiales de conducción para los que empiezan, que ya dan sus primeros pasos y los que se reincorporan tras largo tiempo sin montar en bicicleta.

2.4 MANUALES DE INSTRUCCIONES DE LOS FABRICANTES DE COMPONENTES

Este manual de instrucciones contiene toda la información necesaria para usar la bicicleta con seguridad. Además de este manual, tu bicicleta puede ir acompañada de información sobre el producto o de manuales de instrucciones de distintos fabricantes de componentes. Si es necesario, se puede obtener más información sobre, por ejemplo, los trabajos de montaje y ajuste, así como información específica sobre el producto. Puede ser que los manuales de instrucciones de los distintos fabricantes sólo estén disponibles en línea (ver también «8. Inspección y mantenimiento»).

2.5 HERRAMIENTAS

Los trabajos que deben realizarse en la bicicleta sólo pueden llevarse a cabo con las herramientas adecuadas. Los elementos de fijación roscados se deben apretar con una llave dinamométrica y a un par determinado. Solo se puede garantizar un montaje o desmontaje perfectos de los componentes si se utilizan herramientas que funcionan correctamente y no presentan daños.

2.6 PARTICULARIDADES DE CARBONO COMO MATERIAL

Los cuadros de carbono no deben sujetarse (por ejemplo, en un soporte de montaje) ni someterse a ningún otro tipo de presión. Los componentes de carbono siempre se deben apretar con el par especificado. Los daños que sufren los componentes de carbono no siempre se aprecian de inmediato. En caso de duda, será necesario consultar a un técnico en mecatrónica de bicicletas. Los componentes de carbono tienen una vida útil limitada. El manillar, la tija del sillín, la potencia, las bielas y las ruedas de carbono deben sustituirse a intervalos regulares (por ejemplo, cada tres años).

// MANUAL DE INSTRUCCIONES

El calor intenso causa daños permanentes en la estructura del carbono. Los componentes de carbono no deben guardarse cerca de fuentes de calor o exponerse a la radiación solar directa en el interior de un vehículo.

2.7 MONTAJE DE ACCESORIOS

Los remolques para bicicletas sólo pueden fijarse al eje de la rueda trasera de la bicicleta con los dispositivos especiales para ello. El elemento de unión entre el remolque y el cuadro de la bicicleta no debe tocar el cuadro de la bicicleta. No se pueden utilizar sillas portabebés y remolques que van sujetos mediante abrazadera a la tija del sillín o al cuadro. No se pueden fijar portaequipajes ni a la tija del sillín ni al cuadro. Antes de montar cualquier accesorio, consulte primero el manual de instrucciones del fabricante de dicho accesorio. No se debe sobrepasar el peso máximo del sistema (ver «2.10 Límite de peso») ni siquiera estando los accesorios montados.

2.8 RECAMBIOS

Los componentes de la siguiente lista se deben comprobar regularmente y cambiar cuando sea necesario:

- Cubiertas y cámaras
- Llantas
- Discos y pastillas de freno
- Rodamientos (dirección, eje pedalier, rodamientos del triángulo trasero, rodamientos del buje)
- Cadena, cassette y plato
- Manillares, potencias y puños
- Sillines y tijas de sillín

- Grasa, lubricante, aceite hidráulico y líquido de frenos
- Cables y fundas de cable
- Horquillas y amortiguadores triángulo trasero
- Adhesivos y pintura

2.9 SUSTITUCIÓN DE COMPONENTES

Este manual de instrucciones es válido con tu bicicleta en su estado original. En caso de sustituir componentes, la responsabilidad es siempre del usuario y debe realizarse consultando antes a técnico en mecánica de bicicletas o al servicio técnico de PROPAIN. Puede que la sustitución de componente implique cambios en la garantía.

2.10 LÍMITE DE PESO



PELIGRO

SI SE SOBREPASA EL PESO MÁXIMO DEL SISTEMA, EXISTE RIESGO DE ACCIDENTE.

El peso máximo del sistema es la suma de los pesos del ciclista, la bicicleta, el equipo (casco, mochila, zapatos, ropa) y el equipaje. Si se sobrepasa el peso máximo del sistema, los componentes pueden debilitarse y que fallen de forma repentina e incontrolada.

EL PESO MÁXIMO DEL SISTEMA DE LAS BICICLETAS PROPAIN ES EL SIGUIENTE:

- BICICLETAS INFANTILES CON RUEDAS DE 20": 40 KG.
- BICICLETAS INFANTILES CON RUEDAS DE 24" O 26": 80 KG.
- BICICLETAS DE MONTAÑA PROPAIN: 120 KG.

El peso máximo del sistema no debe sobrepasarse. Si se sustituyen componentes, su peso máximo del sistema no debe ser inferior al de la bicicleta.

// MANUAL DE INSTRUCCIONES

2.11 EXENCIÓN DE RESPONSABILIDAD

Las actividades mencionadas en el presente manual deben ser realizadas por personas que cuenten con experiencia suficiente. El usuario es responsable de los posibles daños causados por un:

- Uso no conforme al previsto (ver «3.4 Uso previsto»)
- Incumplimiento de las normas de seguridad
- Montaje, reparación y mantenimiento incorrectos
- Uso de repuestos y accesorios no autorizados
- Modificación del estado estructural

En caso de duda, se debe consultar a un técnico en mecánica de bicicletas o al servicio técnico de PROPAIN.

3. SEGURIDAD

3.1 SEGURIDAD GENERAL



PELIGRO

RIESGO DE LESIONES POR FALTA DE EQUIPOS DE SEGURIDAD

Un equipo de seguridad eficaz contribuye de forma muy valiosa a la seguridad personal.

- Usa casco en cada salida.
- Si el recorrido es off-road, usa protecciones en rodillas, codos y espalda, así como guantes y un casco completo.
- Usa siempre ropa muy visible y reflectante.



PELIGRO

PELIGRO DE ACCIDENTES POR COMPONENTES MAL MONTADOS.

Los componentes mal montados pueden aflojarse o romperse durante el trayecto.

- El montaje debe realizarse de acuerdo con las instrucciones de montaje.
- En caso de duda, consulta con un técnico en mecánica de bicicletas o con el servicio técnico de PROPAIN.



PELIGRO

PELIGRO DE ACCIDENTE POR LA MENOR POTENCIA DE FRENADO DE PASTILLAS DE FRENO A LAS QUE NO SE LES HA HECHO EL RODAJE.

Los frenos de disco sólo pueden desarrollar toda su potencia de frenado después de que se haya llevado a cabo cuidadosamente el rodaje de las pastillas de freno. Para ello, escoja una carretera sin tráfico.

- Frena entre 20 y 30 veces con el freno delantero o trasero pasando de 30 km/h a 5 km/h y luego repite el proceso con el otro freno. Las frenadas debe ser lo más fuertes posibles sin que ninguna de las ruedas se bloquee.
- Para ello también consulta las instrucciones del fabricante del freno (ver también «8.2 Más información»).



PELIGRO

PELIGRO DE ACCIDENTE POR FALLO REPENTINO DE COMPONENTES PREVIAMENTE DAÑADOS

Sufrir una caída o realizar maniobras de conducción no previstas pueden causar daños en los componentes de la bicicleta sin que se aprecien. Los componentes previamente dañados pueden deformarse o romperse durante el trayecto.

- Revise los componentes regularmente y después de una caída o accidente para detectar posibles daños o fallos en su funcionamiento.
- Los componentes sometidos a grandes esfuerzos los debe revisar regularmente un técnico en mecánica de bicicletas y sustituir si es necesario. Los componentes dañados se deben reemplazar de inmediato.

// MANUAL DE INSTRUCCIONES

3.2 SEGURIDAD VIAL



PELIGRO

PELIGRO DE ACCIDENTES POR MALA CONDUCTA EN LA VÍA PÚBLICA

El ciclista es el eslabón más débil del tráfico vial. Los accidentes en los que están implicados otros usuarios de la carretera suelen terminar con graves consecuencias para los ciclistas.

- Respetar las normas de tráfico público y todas las regulaciones de tráfico locales.
- Conducir concentrado, de forma prudente y protegiéndose. Asumir siempre que los demás usuarios de la carretera no te ven.
- Usar casco y ropa muy visible y reflectante en cada salida.



PELIGRO

RIESGO DE ACCIDENTES POR FALTA DE EQUIPAMIENTO PARA EL TRÁFICO VIAL.

Los equipos estipulados para bicicletas que se utilizan en las vías públicas tienen por objeto principal garantizar la visibilidad de los ciclistas. Si un ciclista no lo ven o lo ven demasiado tarde, pueden producirse accidentes con graves consecuencias.

- Tu bicicleta debe estar equipada con todos los componentes estipulados, según el país, para el tráfico vial.
- Además del riesgo de accidente, el incumplimiento de estas normas también puede dar lugar a la imposición de multas y a la pérdida de la cobertura del seguro.
- Para los viajes al extranjero o transfronterizos, respete los requisitos legales aplicables en el otro país.

En Alemania el equipamiento necesario para el tráfico está regulado en la Ley alemana de homologación del transporte por carretera (StVZO).

Al anochecer, de noche o cuando las condiciones de visibilidad lo requieren, se debe montar los equipos siguientes si se utiliza la bicicleta en el tráfico vial:

Nombre	Advertencias especiales
Luz delantera blanca y reflector blanco	Tanto las luces como los reflectores deben estar bien fijados durante el trayecto y asegurados contra un ajuste involuntario en condiciones normales de marcha. Además, deben estar siempre en funcionamiento.
Luz trasera roja y reflector rojo	La luz delantera debe estar ajustada de tal manera que no deslumbre a los demás usuarios de la carretera. Las luces y los reflectores no deben estar tapados.
Reflectores del pedal	Ambos pedales deben tener reflectores amarillos visibles por delante y por detrás.
Reflectores de radios	En la rueda delantera y trasera se deben colocar dos reflectores de radios. Alternativa: Neumáticos con tiras reflectantes o sticks en cada radio.

3.3 DEBER DE CUIDADO Y RESPONSABILIDAD DEL CONDUCTO

El uso de este manual de instrucciones no exime al ciclista de su obligación de cuidar y mantener la bicicleta en condiciones de funcionamiento seguras. En caso de duda, se debe consultar a un técnico en mecánica de bicicletas o al servicio técnico de PROPAIN. Dado que es imposible prever todas las situaciones o circunstancias que pueden ocurrir durante la conducción, este manual no garantiza el uso seguro de la bicicleta en todas las condiciones posibles. Hay riesgos vinculados al uso de la bicicleta que no pueden predecirse ni evitarse y que son responsabilidad exclusiva del ciclista.

3.4 USO PREVISTO

El ámbito de uso de las bicicletas PROPAIN se divide en cinco categorías que van desde la conducción por carreteras asfaltadas hasta los descensos (downhill) o el freeride. Las bicicletas deben utilizarse exclusivamente de acuerdo con su uso previsto. De lo contrario, el usuario asume la responsabilidad. Para saber el uso previsto de tu bicicleta busca el adhesivo que encontrarás en el cuadro, donde se especifica la categoría de uso.

// MANUAL DE INSTRUCCIONES



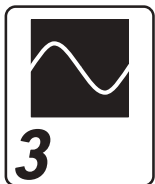
CATEGORÍA 1: USO EXCLUSIVO EN CAMINOS PAVIMENTADOS

La categoría 1 significa que la bicicleta y sus componentes puede usarse en carreteras pavimentadas. Las ruedas siempre permanecen en contacto con el suelo.



CATEGORÍA 2: USO EN CARRETERA Y FUERA DE LA CARRETERA, CON ESCALONES DE HASTA 15 CM

La categoría 2 significa que la bicicleta y sus componentes puede usarse en las condiciones de la categoría 1 y en pistas de grava y caminos moderados. Las ruedas pueden perder el contacto con el suelo. Los escalones pueden alcanzar una altura máxima de 15 cm.



CATEGORÍA 3: USO EN TERRENO ACCIDENTADO, CON SALTOS DE HASTA 61 CM

En la categoría 3 las bicicletas y sus componentes pueden usarse en las condiciones de las categorías 1 y 2, así como en caminos y terrenos accidentados y sin pavimentar que requieren una técnica de conducción avanzada. Los saltos y escalones alcanzan una altura máxima de 61 cm.



CATEGORÍA 4: USO EN TERRENO ACCIDENTADO, CON SALTOS DE HASTA 122 CM

En la categoría 4 las bicicletas y sus componentes pueden usarse en las condiciones de las categorías 1, 2 y 3, así como en terrenos muy accidentados y parcialmente bloqueados, con pendientes más pronunciadas y las consiguientes velocidades más altas. Los saltos moderados que los ciclistas experimentados realizan habitualmente no constituyen ningún problema para estas bicicletas. Sin embargo, queda excluido el uso regular y continuado de estas bicicletas en rutas north shore o en bike parks. Después de cada salida se debe comprobar si la ruedas presentan daños debido a que están sometidas a mayores cargas. Son típicas de esta categoría las bicicletas con suspensión doble de recorrido intermedio.



CATEGORÍA 5: RANGO DE USO EXTREMO (DOWNHILL, FREERIDE, DIRT)

En la categoría 5 las bicicletas y sus componentes pueden usarse en las condiciones de las categorías 1, 2, 3 y 4, así como en terrenos exigentes, muy bloqueados y extremadamente empinados, que sólo pueden ser dominados por ciclistas técnicamente experimentados y muy bien entrenados. Son típicos de esta categoría los grandes saltos a velocidad muy alta y el uso intensivo de la bicicleta en bike parks o por rutas de descenso. Con estas bicicletas es esencial que después de cada salida se realice una revisión a fondo de posibles daños. La presencia de daños previos puede causar un fallo a pesar de someter la bicicleta a un esfuerzo relativamente pequeño. También debería considerarse la posibilidad de sustituir periódicamente los componentes importantes para la seguridad. Se recomienda encarecidamente el uso de protecciones especiales. Son típicas de esta categoría las bicicletas con suspensión doble de largo recorrido y también las bicicletas de saltos (dirt).

4. GARANTÍA / CRASH REPLACEMENT

4.1 GARANTÍA

Además de la garantía legal obligatoria, para nuestros cuadros de bicicleta (a partir de los modelos del 2016) ofrecemos una garantía adicional de 3 años en los modelos de aluminio y 5 años en los modelos de carbono a partir de la fecha de venta. Ello sin perjuicio de la garantía legal, que no se ve afectada. Tampoco se ven afectados por esta garantía otros derechos nacionales o ampliados que pudiera tener el comprador. La garantía cubre todos los cuadros de bicicleta PROPAIN. La garantía sobre los componentes está sujeta a las disposiciones del fabricante respectivo y no forma parte de las condiciones de garantía aquí especificadas. La garantía adicional sólo es válida para el primer comprador del producto y requiere disponer de una copia del comprobante de compra original. Quedan excluidos de la garantía la pintura o anodizado del cuadro, los adhesivos, los rodamientos y cualquier recambio. La garantía no cubre los daños causados por un uso inadecuado o un uso no conforme con la finalidad prevista para el respectivo producto, tal como está descrito en nuestro sitio web. En particular, en caso de, por ejemplo:

- Descuidar el producto (cuidado y mantenimiento insuficientes).
- Modificar el cuadro (incluidos los grabados o la pintura).
- Añadir o modificar componentes adicionales no autorizados expresamente por nosotros o sustituir componentes instalados por nosotros en el momento de la entrega por componentes de otro tipo.
- Usar una bicicleta sin «autorización para bike park» en un bike park.
- Usar de forma continua la bicicleta con rodamientos y suspensiones defectuosos, mal ajustados o desgastados.

// MANUAL DE INSTRUCCIONES

- Usar el producto con la tija del sillín extendida más allá de la profundidad mínima.
- Sobrecarga del producto por saltos, caídas o cualquier otro tipo.
- Las patillas de cambio dobladas o deterioradas (punto de fijación del desviador trasero) se deben a los efectos de, por ejemplo, colocar el desviador trasero encima de una piedra o similar y, por lo tanto, no constituyen un caso de garantía.

Queda excluida la indemnización o el reembolso de los gastos de transporte o montaje. Asimismo, no asumimos ningún coste adicional por un cambio de modelo. Nos reservamos el derecho de reparar el producto o sustituirlo por un producto nuevo. En el caso de que sea necesario sustituir el producto, lo reemplazamos en el mismo color en función de la disponibilidad. No obstante, nos reservamos el derecho de reemplazarlo en un color diferente en caso de no disponibilidad.

4.2 CRASH REPLACEMENT (SUSTITUCIÓN POR ACCIDENTE)

Nuestro PROPAIN Crash Replacement (PCR) cubre a partir del momento en que termina la cobertura de la garantía normal: Daños causados por las caídas. En estas caídas la bicicleta puede estar sometida a grandes cargas, deteriorando componentes o el total de la bicicleta hasta hacerla inservible. Esta es la razón por la que hemos introducido nuestro programa de PCR, que permite al primer propietario comprar una nueva bicicleta a bajo coste.

Puedes consultar los precios y condiciones Crash replacement en www.propain-bikes.com.

5. PRIMERA SALIDA. FAMILIARÍZATE CON TU NUEVA BICICLETA.

Acostúmbrate con la conducción, el frenado, el cambio de marchas y la suspensión de la bici en un terreno fácil y sin tráfico. Tampoco olvides ponerte el casco. A continuación, aumenta poco a poco las exigencias del terreno o las maniobras de conducción. Requisitos:

- La bicicleta debe estar montada según las instrucciones de montaje.
- La altura del sillín está ajustada de forma que se puede conducir cómodamente y montar y desmontar de la bici con seguridad.
- Se han realizado las tareas del cuadro «Antes de la salida» (ver «6. Trabajos antes y después de salir»).

FRENOS DE DISCO:

1. Frena.
Escoge una carretera sin tráfico y frena de 20 a 30 veces con un freno pasando de 30 a 5 km/h. Las frenadas debe ser lo más fuertes posibles sin que ninguna de las ruedas se bloquee. A continuación, repite el proceso con el otro freno. Sólo entonces el sistema de freno puede desarrollar toda su potencia de frenado.
Consulta también las instrucciones del fabricante del freno (ver también «8.2 Más información»).
2. Comprueba el funcionamiento de los frenos durante el trayecto:

i

Normalmente, la maneta del freno trasero está en el lado derecho del manillar y la maneta del delantero, en el lado izquierdo. A petición del cliente, las manetas de freno también se pueden instalar a la inversa.

Si la disposición de las manetas es nueva y no estás acostumbrada a ella, ten especial cuidado en las primeras salidas. Familiarízate con el funcionamiento y la potencia de frenado conduciendo despacio.

Un gran número de frenos permiten ajustar el punto de presión y/o la distancia entre la maneta y el manillar. Para ello consulta las instrucciones del fabricante del freno (ver también «8.2 Más información»).

PEDALES AUTOMÁTICOS:

3. Si usas pedales automáticos, primero pruebe poner y quitar los pedales estando parado. Solo pruebe de poner y quitar los pedales en marcha cuando ya tenga dominado el proceso en parado.
La dureza al poner y quitar los pedales se puede ajustar. Para ello consulta las instrucciones del fabricante de los pedales.

CAMBIO:

4. Cambia entre todas las marchas mientras conduces despacio y elige la marcha adecuada.
 - Puede cambiarse a todas las marchas.
 - En la marcha más alta y en la más baja, el tope está ajustado para que la cadena no salga del cassette.

// MANUAL DE INSTRUCCIONES

6. TRABAJOS ANTES Y DESPUÉS DE SALIR

6.1 ANTES DE SALIR

Para un uso seguro de la bicicleta, antes de subir en ella debe llevar a cabo determinados trabajos. En caso de haber algún defecto o fallo en la bicicleta, un técnico en mecánica de bicicletas debe revisarla y reparar las deficiencias. Jamás conduzcas una bicicleta defectuosa o estropeada.

TRABAJOS / INSPECCIÓN		Antes de la primera salida	Antes de cada salida
Ruedas / cubiertas	Una después de otra levanta las ruedas delantera y trasera y haz que giren. → Las ruedas deben girar con suavidad. → Las ruedas deben girar rectas, sin saltos laterales o verticales. → Las cubiertas no deben tocar el cuadro en ningún momento.	X	X
	Comprobar la presión de los neumáticos. → La presión de los neumáticos debería ser de unos 2 bares. No se debe superar la presión máxima de la rueda y del neumático utilizado (ver también «8.4 Presión de los neumáticos»).	X	X
	Compruebe el par de apriete de los ejes. → La palanca del eje de la rueda delantera debe quedar bien cerrada. → El eje de la rueda trasera se debe apretar solo a 12 Nm.	X	X
	Una después de otra levantar las ruedas delantera y trasera y moverlas a los lados. → No se debe detectar que tengan ningún juego.		X
	Comprueba el piñón libre en el buje de la rueda trasera para asegurarse de que la adherencia funciona correctamente: Siéntate en tu bicicleta, acciona el freno delantero y pedalea con una fuerza moderada estando parado. → La fuerza se debe transmitir a la rueda trasera. → El piñón libre no debe resbalar.		X
	Revise los neumáticos para ver si están dañados o desgastados. → No deben presentar ningún daño. → El desgaste no debe haber progresado hasta el punto de que vean en la superficie de rodadura la protección contra perforaciones o los hilos de la carcasa.		X

TRABAJOS / INSPECCIÓN		Antes de la primera salida	Antes de cada salida
Frenos	Comprueba la fuerza de frenado: Estando parado, acciona las dos manetas de freno una tras otra y mueve la bicicleta hacia adelante y hacia atrás. → Cuando se accionan los frenos, las ruedas delanteras y traseras se deben bloquear.	X	X
	Revise los cables y uniones de los frenos para ver si hay daños o fugas de líquido de frenos. → No se deben apreciar derrames de líquido de frenos en las uniones de los cables.	X	X
	Comprueba el punto de presión de los frenos: Acciona las dos manetas de freno una tras otra mientras está parado. → Aproximadamente después de la mitad del recorrido de la maneta, se debe notar un claro punto de presión.		X
	Comprueba el grado de desgaste de las pastillas de freno. → La pastilla del freno debe tener un grosor mínimo de 0,5 mm sobre el soporte metálico.		X
	Comprueba el grado de desgaste de los discos de freno. → Grosor mínimo de los discos de freno: Avid / Sram: 1,55 mm; Magura: 1,8 mm		X
Accesorios	Comprueba que la potencia esté bien colocada: Ponte delante de la bicicleta, sujeta la rueda delantera entre tus rodillas e intenta girar el manillar. → El manillar no se puede torcer ejerciendo una fuerza normal.	X	X
	Comprueba el juego del rodamiento de la dirección: Colócate al lado de su bicicleta, acciona la maneta del freno delantero y mueve la bicicleta lentamente de un lado a otro. → No se debe detectar que tengan ningún juego del rodamiento.	X	X
	Comprueba que todos los accesorios estén bien colocados → Los accesorios sueltos se deben apretar con el par de apriete requerido (ver «8.3 Pares de apriete»). En caso de duda, ponte en contacto con el servicio técnico de PROPAIN.	X	X
	Comprueba que la tija del sillín esté bien colocada: Ponte detrás de la bicicleta, agarra el sillín con una mano e intenta girarlo. → No se debe poder torcer el sillín y la tija.		X
	Comprueba que los puños estén bien colocados: → Los puños no se deben poder girar con la mano.		X

// MANUAL DE INSTRUCCIONES

TRABAJOS / INSPECCIÓN		Antes de la primera salida	Antes de cada salida
Frame	<p>Revisa el cuadro para ver si hay daños y deformaciones.</p> <p>→ No debe presentar ningún daño.</p>	X	X
	<p>Comprueba que todos los cables están en las abrazaderas y que todas las abrazaderas están apretadas.</p> <p>→ Todos los cables deben estar bien colocados en las abrazaderas.</p>		X
	<p>Comprueba los pares de apriete en los puntos de apoyo del triángulo trasero y del soporte del amortiguador.</p> <p>→ Puedes encontrar los valores del par en las instrucciones de montaje de tu bicicleta.</p>		X
Horquilla / amortiguador	<p>Revisa la suspensión para ver si está dañada.</p> <p>→ No debe presentar ningún daño.</p>	X	X
	<p>Siéntate en la bicicleta con el equipo completo (casco, mochila, zapatos, etc.) y colócate en una posición normal de conducción.</p> <p>→ Recomendamos un SAG de 15% - 20% en la horquilla y 20% - 30% en el amortiguador.</p> <p>→ Si es necesario, cambia la presión de aire de la suspensión. Si el amortiguador tiene muelle de acero, al hacer el pedido ya has elegido una dureza adecuada a tu peso.</p>	X	

6.2 DESPUÉS DE SALIR

LIMPIA LA BICICLETA



PELIGRO

PELIGRO DE ACCIDENTE POR FALLO DE LOS FRENOS O DISMINUCIÓN DE LA FUERZA DE FRENADO DEBIDO A QUE LAS PASTILLAS O LOS DISCOS DE FRENO ESTÁN SUCIOS.

Las pastillas y discos de freno no deben entrar en contacto con lubricantes como aceite, grasa (incluida las cremas para la piel), cera, silicona, teflón, etc. Las pastillas de freno o las superficies de frenado que se han ensuciados así ya no deben usarse.

Al terminar la salida debes limpiar tu bicicleta a fondo con un paño suave y agua. No uses jamás un limpiador a presión. La suciedad más resistente se puede eliminar con detergentes especiales para bicicletas y sus componentes. Respeta siempre las instrucciones y recomendaciones de uso del detergente. Después de limpiar la bicicleta, vuelve a engrasar la cadena (ver «Mantenimiento de la cadena»).

Al limpiar presta especial atención a la zona de las piezas móviles de la horquilla y del amortiguador. La suciedad en esta zona puede causar un desgaste prematuro y reducir así el rendimiento de la suspensión.

MANTENIMIENTO DE LA CADENA

La cadena de la bicicleta es el elemento central del sistema de transmisión de su bicicleta. La suciedad se acumula en la cadena oleosa y acelera su desgaste.

Para una vida útil larga y fiable de la cadena, lleva a cabo los siguientes pasos con regularidad:

1. Limpia la cadena con un paño empapado en aceite.
2. Engrasa la cadena con aceite para cadenas.
3. Limpia el exceso de aceite con un paño seco y sin pelusas.

// MANUAL DE INSTRUCCIONES

ESTACIONAR LA BICICLETA

Las bicicletas siempre deben estacionarse con seguridad y protegerse contra posibles caídas. A menudo basta con caer desde una posición de pie sobre un borde para causar un daño permanente al cuadro o a los componentes. Ver también «7. Transporte y almacenamiento».

6.3 AFTER A CRASH



PELIGRO

PELIGRO DE ACCIDENTES POR COMPONENTES DAÑADOS O ROTOS.

La caída o la sobrecarga pueden causar daños invisibles y desapercibidos.

- Conducir con piezas dañadas, dobladas o incluso desgarradas constituyen un peligro de muerte.
- Después de una caída, la bicicleta y sus piezas deben ser revisadas por el servicio técnico de PROPAIN o por un técnico en mecánica de bicicletas.
- Nunca repares tú mismo las piezas dobladas, sino que las debes sustituir por tu propia seguridad.

La evaluación de un componente de carbono dañado es muy difícil. El daño no tiene por qué percibirse necesariamente desde el exterior. Un rasguño superficial puede ser un indicio de delaminación (separación de las capas de carbono entre sí). En las bicicletas de peso optimizado, a menudo basta con caerse sobre un borde cuando se está parado para dañar permanentemente el cuadro o los componentes. Cualquier sospecha de daño debe ser siempre examinada por el servicio técnico de PROPAIN o por un técnico en mecánica de bicicletas. Los componentes de aluminio presentan daños por abolladuras, grietas, deformación o decoloración. Si se produce uno de estos signos, el componente o la bicicleta no debe seguir utilizándose.

Cualquier sospecha de daño debe ser siempre examinada por el servicio técnico de PROPAIN o por un técnico en mecánica de bicicletas.

7. TRANSPORTE Y ALMACENAMIENTO

7.1 TRANSPORTE EN COCHE

La mejor solución y la más segura para transportar la bicicleta es dentro del coche. Allí tu bicicleta está protegida perfectamente de las inclemencias del tiempo y de posibles robos. Sin embargo, también se deben tener en cuenta varios aspectos:

- Si el coche está expuesto a la radiación solar directa, sus superficies pueden calentarse mucho. Las piezas de carbono se deben proteger o cubrir para que no les dé la luz directa.
- Las piezas de carbono son muy sensibles a las posibles cargas de presión. Si se deben apilar piezas, por ejemplo, ruedas sobre el cuadro, es esencial que se proteja con algo acolchado. Muchos fabricantes ofrecen bolsas especiales para sus ruedas. De este modo, las ruedas están perfectamente protegidas durante el transporte.
- Si se retiran las ruedas, se debe colocar un seguro de transporte entre los extremos del cuadro u horquilla y entre las pastillas del freno de disco.

7.2 TRANSPORTE EN PORTABICICLETAS TRASERO O DE TECHO

Los portabicicletas trasero y de techo con agarres para el tubo superior, inferior o el sillín no son adecuados para los cuadros de carbono. La fuerza de sujeción del agarre pueden dañar la estructura de carbono. Antes de colocar las correas o cintas con trinquete en las llantas, estas se deben proteger con algo acolchado. Si se transportan varias bicicletas en el portabicicletas trasero o de techo, hay que tener cuidado de que haya suficiente espacio o colocar algo acolchado entre ellas. Si se transportan bicicletas con ruedas de carbono en el soporte trasero, asegúrese de que haya suficiente espacio entre el tubo de escape y la rueda. La distancia mínima es de 45 cm detrás y al menos 20 cm encima del tubo escape. Respete también el manual de instrucciones del fabricante del portaequipajes trasero o de techo.

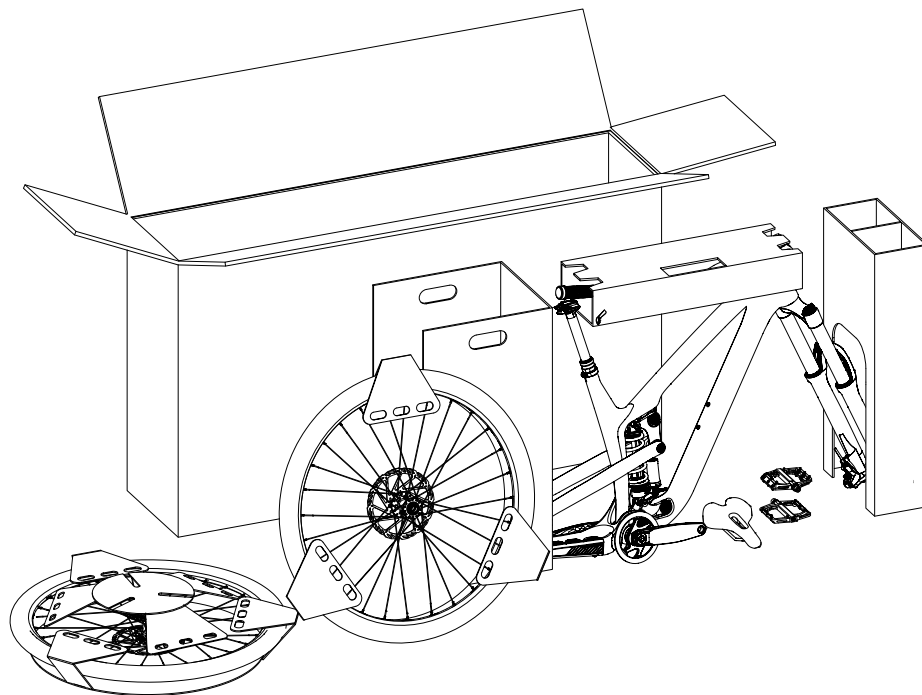
7.3 ALMACENAMIENTO DE LA BICICLETA

La bicicleta debe colocarse en un soporte adecuado, idealmente que solo aguante la rueda trasera. Comprueba la presión del aire regularmente si la bicicleta está parada durante mucho tiempo. No se debe dejar la bicicleta sin aire en los neumáticos durante mucho tiempo. Otra alternativa para guardar de forma segura la bicicleta consiste en colgarla de un gancho acolchado o recubierto con plástico o goma. En caso de guardar la bicicleta durante más de tres meses, se debe retirar el líquido sellante del neumático si se usan ruedas tubeless. Algunos líquidos sellantes contienen ingredientes que intensifican la corrosión pudiendo dañar la llanta.

// MANUAL DE INSTRUCCIONES

7.4 ENVÍO DE BICICLETAS

En función del tamaño de la PROPAIN Bike Box, la bicicleta se puede enviar en diferentes estados de montaje. Envía la bicicleta en las mismas condiciones de montaje que la recibió.



1. Fija todas las piezas sueltas o móviles o envuélvelas bien. Los componentes afilados o puntiagudos se deben envolver para que no causen daños en el interior de la caja y no puedan perforarla.
2. Para el envío retira la rueda delantera y envuélvela en cartón.
3. Enrosca los ejes de los extremos.
4. Coloca el cartón de relleno detrás, en el lado del desviador trasero.
5. Protege el tubo superior con material adecuado (por ejemplo, un aislamiento tubular) para evitar que el manillar cause daños.

8. INSPECCIÓN Y MANTENIMIENTO



PELIGRO

PELIGRO DE ACCIDENTES POR MANTENIMIENTO E INSPECCIÓN NO REALIZADOS CUANDO TOCABA

Si se descuida la inspección y el mantenimiento, los componentes desgastados pueden causar accidentes.

- Deben respetarse los trabajos e intervalos de mantenimiento e inspección indicados en este manual de instrucciones.
- El cumplimiento de los trabajos e intervalos de mantenimiento e inspección es un requisito indispensable para conservar el derecho a garantía.

Solo un mantenimiento y cuidado regulares garantizan que todas las piezas de la bicicleta funcionen correctamente. Las tareas sencillas de limpieza, mantenimiento e revisión las debes llevar a cabo tú mismo con regularidad (ver «6. Trabajos antes y después de salir»). En función del intervalo de mantenimiento indicado, los trabajos de mantenimiento e inspección requeridos deben ser realizados por PROPAIN o por un profesional debidamente cualificado.

También encontrarás todas la información sobre la inspección y el mantenimiento en www.propain-bikes.de.

// MANUAL DE INSTRUCCIONES

8.1 MANTENIMIENTO DE LOS COMPONENTES

En teoría, puedes llevar a cabo todos los trabajos de mantenimiento tú mismo. En caso de duda sobre los propios conocimientos o la falta de herramientas especiales, los trabajos los deberá llevar a cabo PROPAIN o por un técnico en mecánica de bicicletas.

COMPONENTE	TRABAJO	INTERVALO
Bicicleta completa	Comprobar los pares de apriete de todos los tornillos. Para los valores del par, ver «8.3 Pares de apriete».	la primera vez, tras 100-300 km o de 5 a 15 h*; después, cada 1500 km o 75 h*
Cuadro	Inspección visual del cuadro para detectar posibles daños como grietas y deformaciones, decoloración y rozaduras causadas por la funda o los cables de los frenos.	3 meses
Horquilla / amortiguador	Inspección visual para detectar posibles daños como grietas, deformaciones y decoloración.	3 meses
	Revisión pequeña	50 h / 3 meses o según las indicaciones del fabricante
	Revisión grande	200 h / anual o según las indicaciones del fabricante
Dirección	Desmontar, limpiar, engrasar y volver a montar todas las piezas de la dirección. Sustituir los rodamientos que funcionan mal o presentan corrosión.	6 meses
Tija de sillín	Desmontar, limpiar la tija del sillín y el tubo del cuadro y volver a montarlos sin usar lubricantes. Comprobar par de apriete Para el par de la abrazadera y el pistón del sillín, ver «8.3 Pares de apriete».	3 meses

COMPONENTE	TRABAJO	INTERVALO
Manillar / potencia	Comprobar par de apriete. Para los valores del par, ver «8.3 Pares de apriete».	3 meses
Frenos	Comprobar el desgaste de las pastillas de freno. → La pastilla del freno debe tener un grosor mínimo de 0,5 mm sobre el soporte metálico.	regularmente
	Comprobar el desgaste de los discos de freno. → Grosor mínimo de los discos de freno: Sram/Avid: 1,55 mm; Magura: 1,8 mm	regularmente
	Purgar frenos / cambiar líquido de frenos	12 meses
Ruedas	Mantenimiento del buje: en condiciones normales de uso	12 meses
	en condiciones extremas de uso (conducción regular con polvo, lluvia, nieve o conducción frecuente con lluvia) Para los trabajos de mantenimiento, ver las instrucciones del fabricante.	3 meses
	Sustituir fondo de llanta tubeless.	12 meses
	Comprobar posibles daños en fondo de llanta tubeless. El fondo de llanta tubeless se debe sustituir cuando <ul style="list-style-type: none"> • el fondo de llanta se desprende de la llanta. • se va el dibujo y se ve el material de soporte. • se aprecian fuertes curvaturas hacia dentro en los agujeros de los radios y el fondo de llanta tubeless presenta fuertes pliegues. 	3 meses
	Comprobar la tensión de los radios, la concentricidad y el desgaste de la rueda.	10 h*

// MANUAL DE INSTRUCCIONES

COMPONENTE	TRABAJO	INTERVALO
Cubiertas / líquido sellante	<p>Desmontar las cubiertas y comprobar posibles daños y cuerpos extraños que hayan entrado podido entrar. Al mismo tiempo revisar el fondo de llanta tubeless; ver arriba.</p> <p>Cambiar el líquido sellante o rellenarlo, si es necesario. Retirar el líquido sellante seco de las cubiertas.</p> <p>Recomendamos 30 ml de líquido sellante por cubierta.</p>	3 meses
Cambio / transmisión	<p>Comprobar el desgaste de la cadena con el medidor del desgaste de cadenas.</p> <p>→ La cadena se debe sustituir cuando el medidor del desgaste de cadenas mide el alargamiento máximo permitido.</p> <p>Al cambiar la segunda cadena se deben sustituir también los platos y el cassette.</p>	la primera vez, tras 1000 km; después, regularmente
	Revisar el ajuste de los desviadores trasero y delantero.	3 meses
	<p>Si se usa un cambio o una tija de sillín electrónicos: Cambiar las pilas de botón.</p> <p>Tipo de pila: CR2032</p>	2 años o cuando se enciende/parpadea el LED

*h = horas de funcionamiento. En los intervalos indicados en km y h, es válido el primer evento de los dos que ocurre.

8.2 MÁS INFORMACIÓN

Si está seguro de que posee los conocimientos y habilidades necesarios, puede encontrar toda la información necesaria sobre los trabajos mencionados en los sitios web de los fabricantes de componentes. Recuerde que te haces responsable de todos los trabajos que llevas a cabo y que la garantía y el derecho a garantía se extinguen en caso de un mantenimiento o instalación incorrectos.

- SRAM / Rock Shox: sram.com/service
- Magura: www.magura.com/de/components/techcenter/
- Newmen: www.newmen-components.de
- Fox: www.ridefox.com
- Sixpack: www.sixpack-racing.de
- Bikeyoke: www.bikeyoke.de
- Stans: www.notubes.com
- Crankbrothers: www.crankbrothers.com

// MANUAL DE INSTRUCCIONES

8.3 PARES DE APRIETE

Todos los elementos de fijación roscados se deben ser apretar con una llave dinamométrica adecuada. Si se realiza correctamente, se evita estirar excesivamente los tornillos con el consiguiente riesgo de rotura. Los pares especificados aquí son válidos para las roscas sin lubricar. Si los tornillos se lubrican, el coeficiente de fricción cambia considerablemente y el par debe ser menor.

La siguiente tabla detalla todos los pares de apriete que necesitas para tu bicicleta.

COMPONENTES	FABRICANTE, MODELO	PAR DE APRIETE
Fijación del sillín	todos	ver par de apriete grabado con láser*
Abrazadera tija del sillín	todos	ver par de apriete grabado con láser*
Fijación pinza de freno en ruedas delantera y trasera	todos	6 Nm
Eje rueda delantera	todos	ver datos del fabricante
Eje rueda trasera	PROPAIN	12 Nm
Tuerca de cierre cassette	todos	40 Nm
Tornillo de sujeción desviador trasero	todos	10 Nm
Tornillos de sujeción discos de freno	todos	6,2 Nm
Tuerca de cierre discos de freno Center Lock	todos	40 Nm
Tornillo de sujeción biela	todos	ver par de apriete grabado con láser
Pedales	todos	35 Nm
Mandos del manillar	todos	ver par de apriete grabado en láser* También de deber seguir las instrucciones del fabricante del manillar.
Potencia, fijación al manillar	todos	ver par de apriete grabado con láser*
Potencia, fijación a la horquilla	todos	ver par de apriete grabado con láser*
Puntos de apoyo triángulo trasero	PROPAIN	ver instrucciones de montaje

*Indica un par de apriete que no se debe sobrepasar. Por regla general, basta con aplicar un par menor para obtener una unión segura. En particular, el par puede reducirse considerablemente por debajo de este valor si se usa pasta de montaje, ya que las partículas sólidas de la pasta aumentan en gran medida la fricción.

Consejo: Cuanto menor sea el par de apriete de los tornillos, menor presión se ejercerá sobre el componente, factor especialmente importante en los componentes de carbono.

8.4 PRESIÓN DE LOS NEUMÁTICOS

La presión máxima de los neumáticos depende del ancho del neumático y del ancho interior (ancho de la boca) de la llanta. Para ajustar la presión de los neumáticos, puedes utilizar la siguiente tabla como guía. Jamás se debe sobrepasar la presión máxima de los neumáticos. En bicicletas equipadas con los neumáticos originales, la presión máxima se puede determinar por el ancho del neumático. Encontrarás el ancho del neumático en su lateral. En bicicletas de montaña, tiene sentido elegir una presión de neumáticos menor que la presión máxima para favorecer la adherencia de los neumáticos. La presión mínima de los neumáticos también está marcada en el flanco del neumático y no debe ser inferior. La presión de los neumáticos para uso en trail, enduro, freeride y downhill debe ser de unos 1,5 a 1,9 bares en la rueda delantera y de unos 1,7 a 2,1 bares en la trasera.

// MANUAL DE INSTRUCCIONES

Ancho de boca (ancho interior) de la llanta					Ancho recomendado de los neumáticos		Presión máxima de los neumáticos						
					[mm]	[pulgadas]	[bar]	[psi]					
21 mm					18	0,7	9,8	142					
					20	0,8	9,3	135					
					23	0,9	8,8	128					
					25	1	8,3	120					
					28	1,1	7,6	110					
					30	1,2	7,0	102					
					32	1,25	6,6	96					
					35	1,35	5,8	84					
					37	1,4	5,5	80					
					40	1,5	5,3	77					
					42	1,6	5,0	73					
					44	1,7	4,8	70					
					47	1,8	4,5	65					
					50	1,9	4,2	61					
					52	2	3,9	57					
					23 mm					54	2,1	3,6	52
57	2,2	3,3	48										
60	2,3	3,0	44										
62	2,5	2,7	39										
66	2,6	2,5	36										
69	2,7	2,3	33										
71	2,8	2,1	30										
25 mm													
27 mm													
29 - 40 mm													

// NOTAS



PROPAIN

