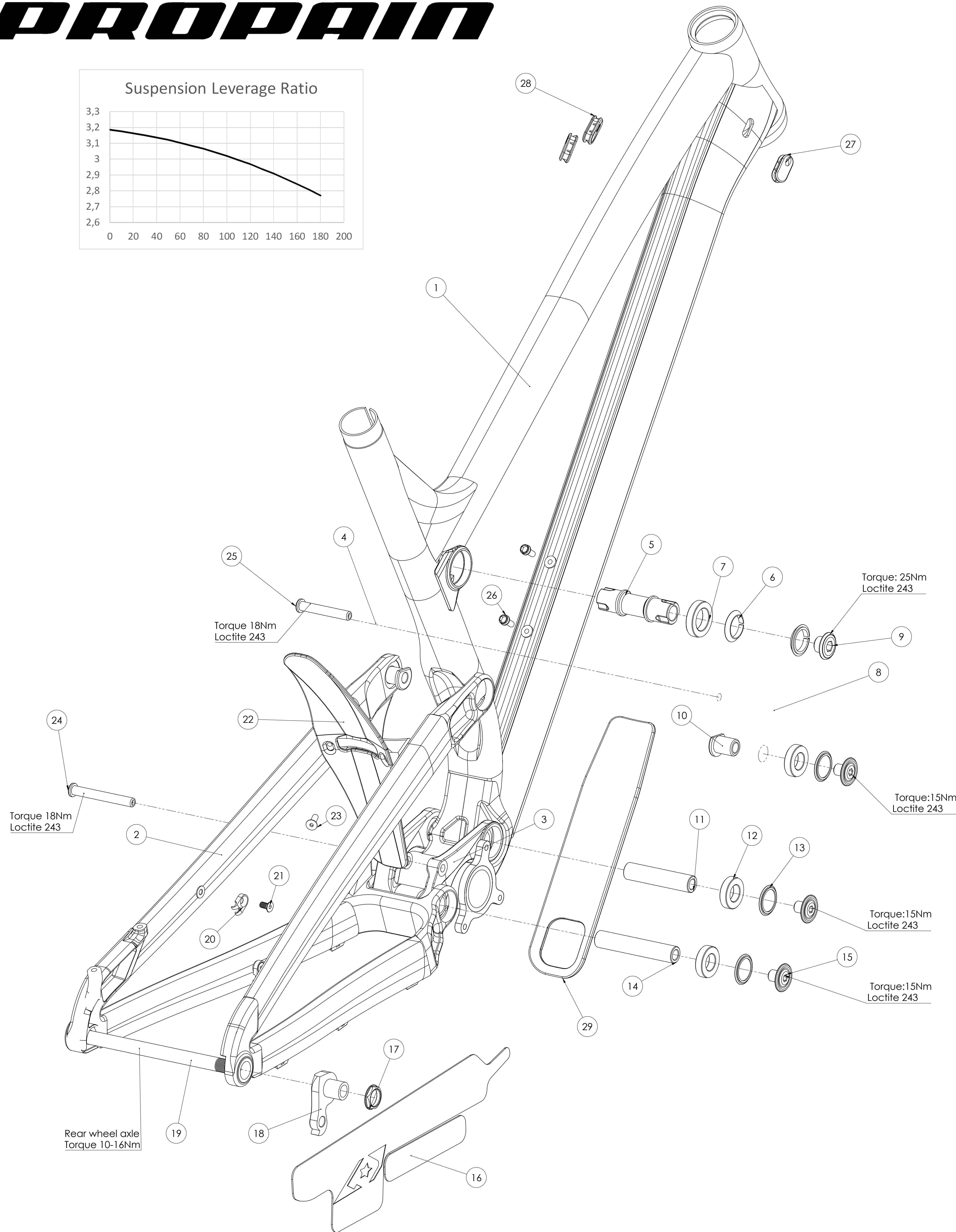
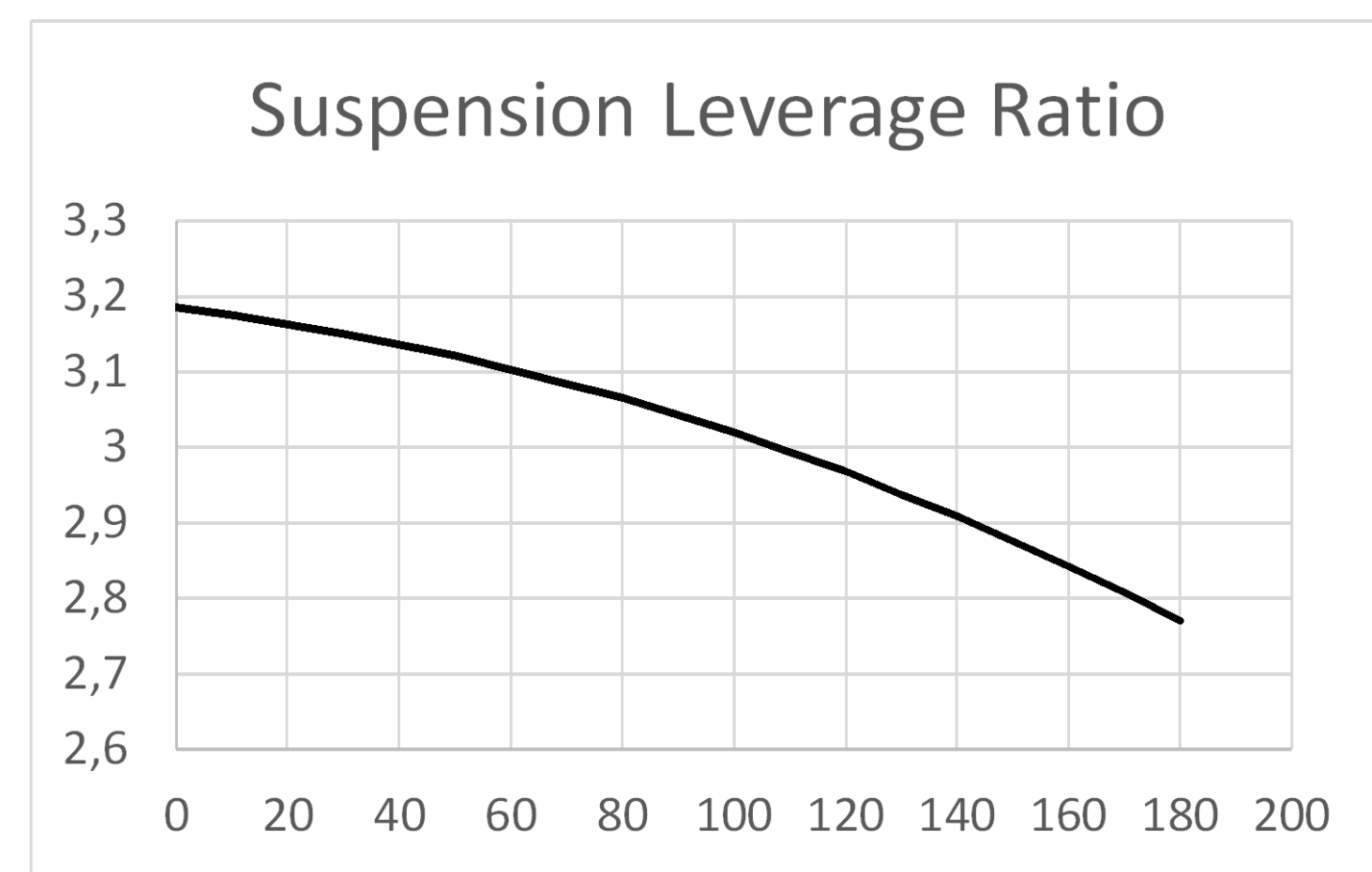


# PROPAIN



POS-NR.	Propain part number-version	Description	QTY
1	000341-AC	Spindrift_Frame_Main	1
2	000347-AB	Rear_triangle	1
3	000696-AB	Lever_low	1
4	000695-AB	Lever_high_left	1
5	000701-AA	Upper_lever_axle	1
6	000368-AB	Clamp_ring	4
7	000367-AA	Bearing_20x32x7	2
8	000697-AB	Lever_high_right	1
9	000369-AB	Axle_cap_M14x1	2
10	000181-AA	Axle_15x18-5_M10x1	2
11	000617-AA	Axle_15dia_68mm_M10x1	1
12	000006-AA	Bearing_15x28x7	6
13	000602-AB	Dust_cap_seal	6
14	000617-AA	Axle_15dia_81mm_M10x1	1
15	000600-AB	15mm_Axle_Cap	6
16	000271-AC	Chain_stay_protector-Tyee-Spindrift_Velo	1
17	000162-AA	Hanger_bolt	1
18	000161-AA	Hanger	1
19	000041-AB	X12-axle_assembly_Syntace	1
20	000057-AA	Cable_clamp	2
21	000236-AA	Bolt_M5x10_countersunk_DIN7991	2
22	000245-AC	Mud_fender	1
23	000474-AA	Bolt_M5x16_DIN7991	2
24	000882-AA	Bolt_M8x63_custom	1
25	000186-AA	Bolt_M8x50_custom	1
26	000733-AA	Bolt_M5x13	2
27	000664-AA	Cable_inlet_grommet_derailleur_cable	2
28	000274-AB	Cable_inlet_grommet_hyd_cable	1
29	000794-AA	DT_protector_Alloy_frames	1

Spindrift (V2) - Standards 2019	
Shock length	230mm
Shock travel	60mm
Shock mount (top and bottom)	8mm $\phi$ x 25mm
Rear wheel travel	180mm
Bottom bracket	BSA - 73mm
Brake mount	Post mount 180
Seat post diameter	31,6mm
Head set (S.H.I.S.)	Top: IS42 / Bottom: IS52
Rear wheel axle	Syntace X12 (148mm - Boost)
Rear hub width	148mm
Front derailleur mount	N/A
Chain line	52mm (Boost)
Chain guide mount	ISCG 05
Tire size	650B
Maximum fork travel	180mm