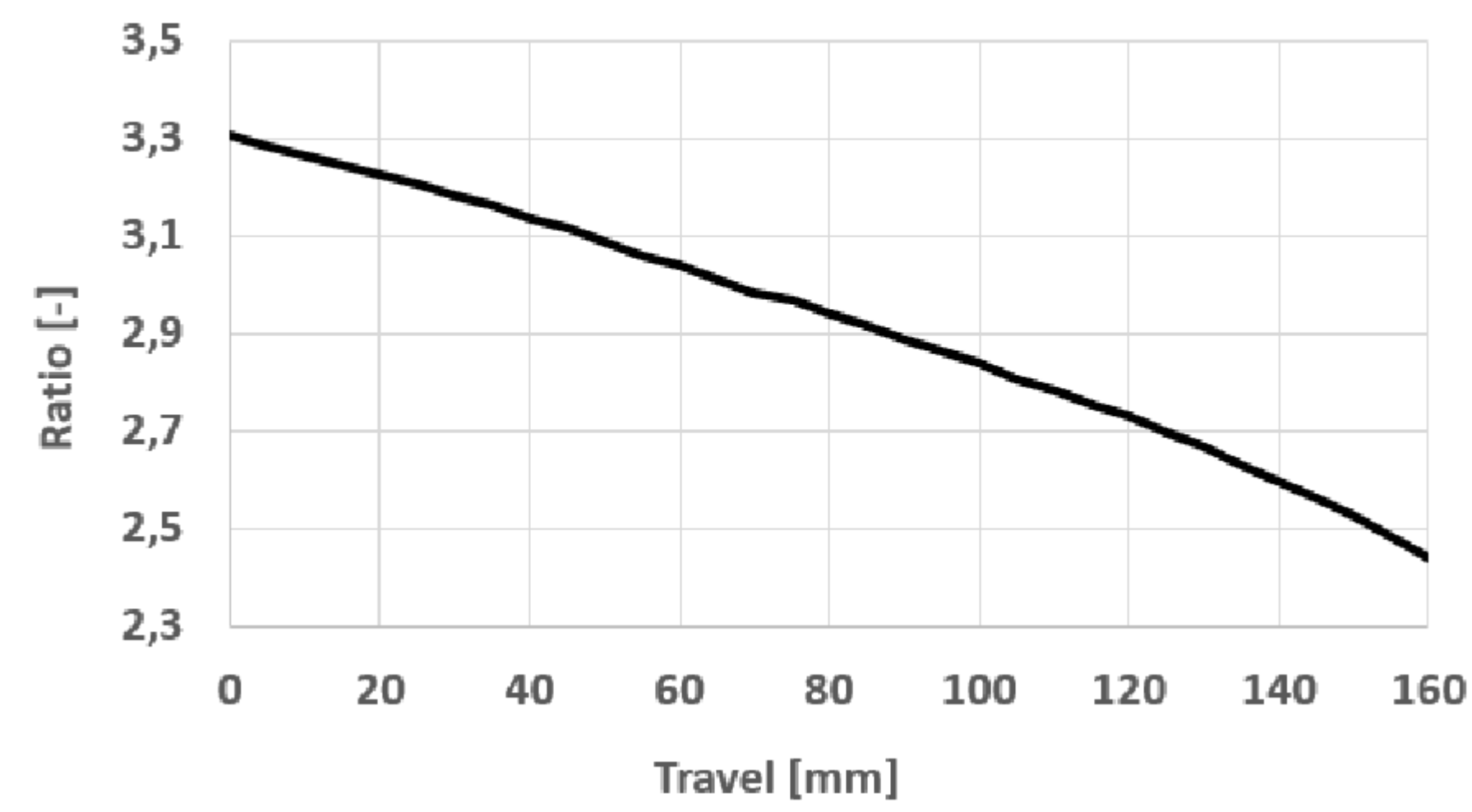


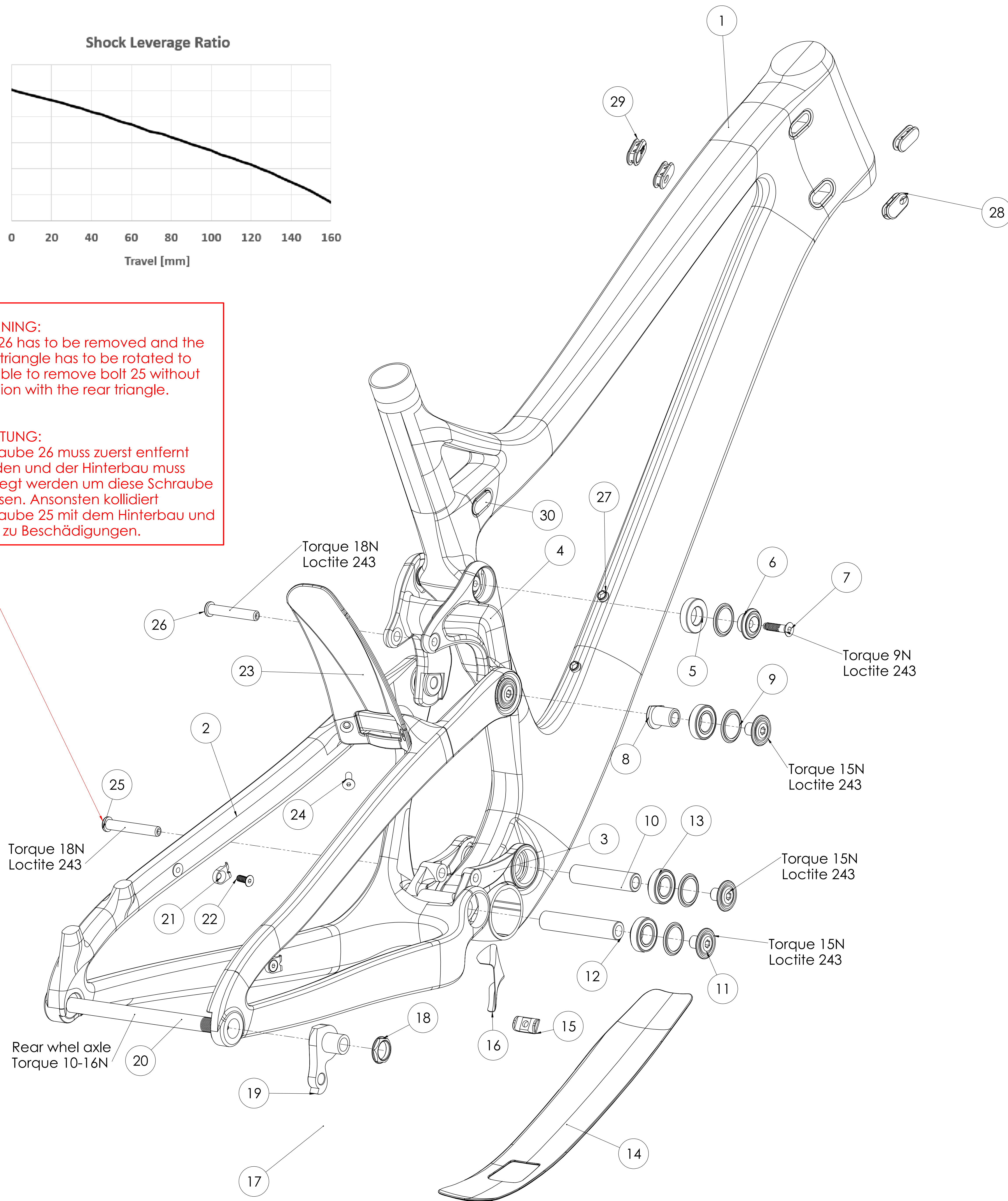
PROPAIN

Shock Leverage Ratio



WARNING:
Bolt 26 has to be removed and the rear triangle has to be rotated to be able to remove bolt 25 without collision with the rear triangle.

ACHTUNG:
Schraube 26 muss zuerst entfernt werden und der Hinterbau muss bewegt werden um diese Schraube zu lösen. Ansonsten kollidiert Schraube 25 mit dem Hinterbau und führt zu Beschädigungen.



NO	Propain part number-version	Description	QTY
1	000272-AB	Tyee_CF_frame_main	1
2	AI-000157	Rear_triangle_CF	1
3	000174-AC	Lever_low_2019	1
4	000782-AB	Lever_High_Tyee_Carbon2	1
5	000006-AA	Bearing_15x28x7_No61902	2
6	000784-AA	15mm_Axle_Cap	2
7	000788-AA	Bolt_M6x20_DIN7991	2
8	000181-AA	Axle_15x18-5_M10x1	2
9	000602-AB	Dust_cap_seal	8
10	000616-AA	Axle_15dia_62mm_M10x1	1
11	000600-AB	15mm_Axle_Cap	6
12	000786-AA	Axle_15dia_75mm_M10x1	1
13	000176-AA	Bearing_15x28x7_flange	6
14	000785-AA	DT_Protector_TyeeCF_2019_1	1
15	000234-AA	Yozu_612-026-00AC+	1
16	000189-AB	Chain_suck_protection	1
17	000271-AB	Tyee&Spindrift_Chain_stay_protector_logo	1
18	000162-AA	Hanger_bolt	1
19	000161-AA	Hanger	1
20	000041-AB	X12-axle_assembly_Syntace	1
21	000057-AA	Yozu_611-024-050-1BK	3
22	000056-AA	Bolt_M5x12_countersunk	3
23	000022-AC	Mud_fender	1
24	000474-AA	Bolt_M5x16_DIN7991	3
25	000186-AA	Bolt_M8x50_custom	1
26	000185-AA	Bolt_M8x47_custom	1
27	000733-AA	Bolt_M5x13	2
28	000664-AA	Cable_inlet_grommet_derailleur_cable	2
29	000274-AB	Cable_inlet_grommet_hyd_cable	1
30	000276-AB	Cable_inlet_grommet_closed	2

Tyee CF 2019 - Standards

Shock length	210mm
Shock travel	EN (55mm) or AM (50mm)
Shock mount top	8mm ϕ x 30
Shock mount bottom	8mm ϕ x 25
Rear wheel travel	EN (160mm) or AM (145mm)
Bottom bracket	BSA 73mm
Brake mount	Post mount 180
Seat post diameter	31,6mm
Head set (S.H.I.S.)	Top: IS42 / Bottom: IS52
Rear wheel axle	Syntace X12 (148mm)
Rear hub width	Boost 148mm
Front derailleur mount	none
Chain line	52 mm (boost)
Chain guide mount	ISCG 05
Tire size	650B
Maxium fork travel	170mm