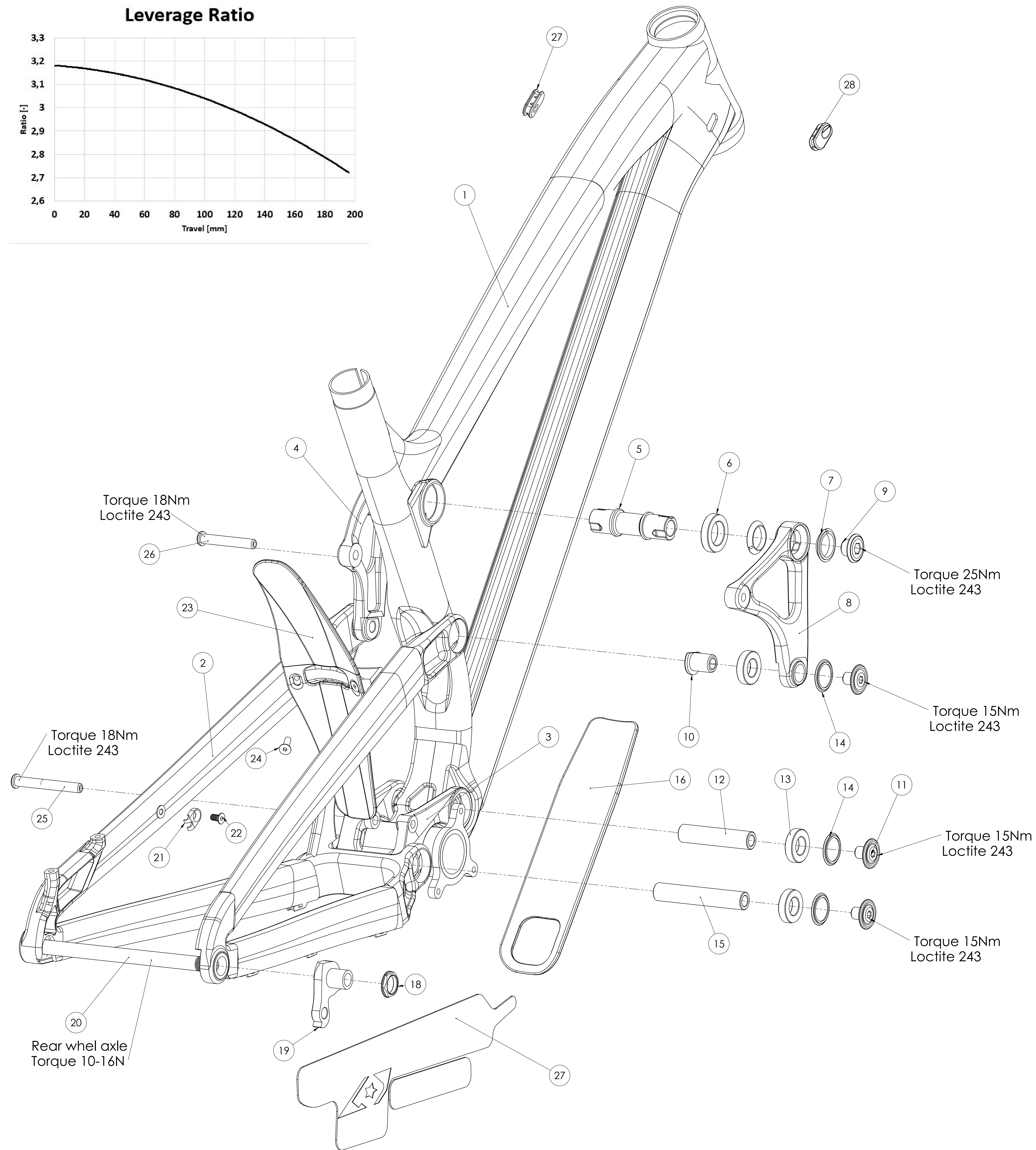
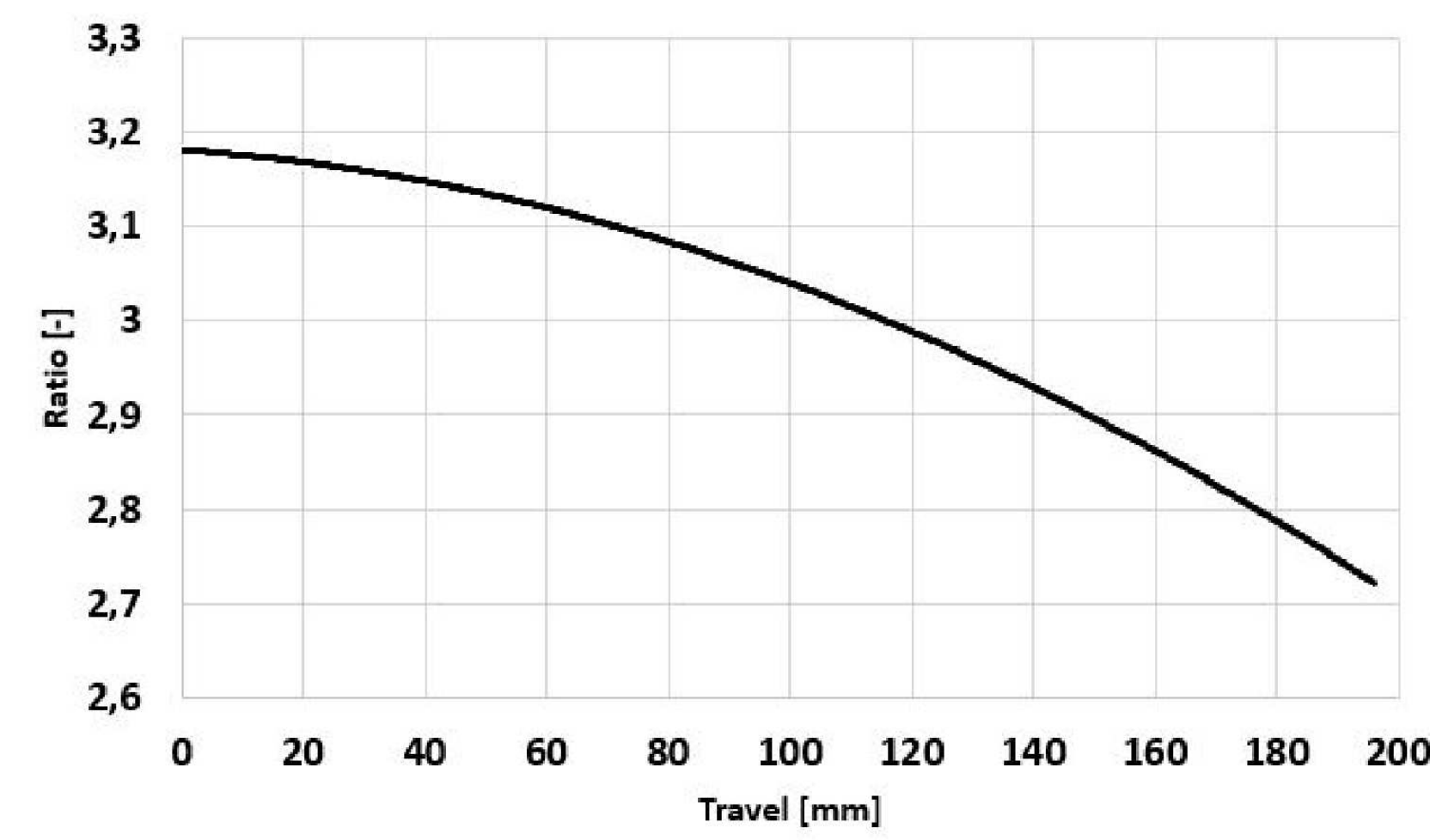


PROPAIN

Leverage Ratio



NO	Propain part number-version	SPECIFICATION	QTY
1	000341-AC	Rage_Frame_Main	1
2	000347-AB	Rear_triangle	1
3	000737-AC	Lever_Low	1
4	000695-AB	Lever_high_left	1
5	000366-AB	Upper_lever_axle	1
6	000367-AA	Bearing_20x32x7_61804-2RS	2
7	000368-AB	Clamp_ring	4
8	000697-AB	Lever_high_right	1
9	000369-AB	Axle_cap_M14x1	2
10	000181-AA	Axle_15x18-5_M10x1	2
11	000600-AB	15mm_Axle_Cap	6
12	000617-AA	Axle_15dia_68mm_M10x1	1
13	000006-AA	Bearing_15x28x7_No61902	6
14	000602-AB	Dust_cap_seal	6
15	000884-AA	Axle_15dia_86mm_M10x1	1
16	000794-AA	DT_protector_Alloy_frames	1
17	000271-AC	Chain_stay_protector-Tyee-Spindriff_Velo	1
18	000162-AA	Hanger_bolt	1
19	000161-AA	Hanger	1
20	000747-AA	Syntace_axle_157mm	1
21	000057-AA	Cable_clamp	2
22	000236-AA	Bolt_M5x10_countersunk_DIN7991	2
23	000245-AC	Mud_fender	1
24	000474-AA	Bolt_M5x16_DIN7991	2
25	000882-AA	Bolt_M8x63_custom	1
26	000186-AA	Bolt_M8x50_custom	1
27	000664-AA	Cable_inlet_grommet_derailleur_cable	1
28	000274-AB	Cable_inlet_grommet_hyd_cable	1

Rage Alloy - Standards	
Shock length	230 mm
Shock travel	65 mm
Shock mount (top and bottom)	8mm ϕ x 25mm
Rear wheel travel	200mm
Bottom bracket	BSA - 83mm
Brake mount	Post mount 180
Seat post diameter	31.6mm
Head set (S.H.I.S.)	Top: IS42 / Bottom: IS52
Rear wheel axle	Syntace X12 (157mm - Boost)
Rear hub width	157mm
Front derailleur mount	N/A
Chain line	52mm (Boost)
Chain guide mount	ISCG 05
Tire size	650B
Maximum fork travel	203 mm